

# Parts Catalog

## Nautilus Hi-Dump & Nautilus Hi-Dump CE Rider Scrubber/Sweeper

**Models:** Diesel, Gasoline, & LPG



**PREFACE**

Thank you for your purchase of the new industry standard for scrubber/sweepers. PowerBoss® takes great pride in offering the most dependable, reliable and best value in industrial power scrubbers and sweepers. We set the standard.

Our Customer Service Department would like to hear from you. If you see any errors, omissions or something that needs clarification in this Parts Catalog please let us know. We are working hard towards continually improving our processes to bring you the best you deserve. Please copy the form below, fill out and comment on how you found our catalog.

Thank you!  
*The PowerBoss Team*

Name: \_\_\_\_\_

Title: \_\_\_\_\_

Company Name: \_\_\_\_\_

Address: \_\_\_\_\_

Country: \_\_\_\_\_

Type of equipment or model number: \_\_\_\_\_

Comments: \_\_\_\_\_

\_\_\_\_\_

\_\_\_\_\_

Please return to:  
Customer Service Manager  
PowerBoss®, Minuteman International, Inc.  
14N845 U.S. Route 20  
Pingree Grove, Illinois 60140 USA

Phone: (800) 323-9420  
Email: tech@powerboss.com

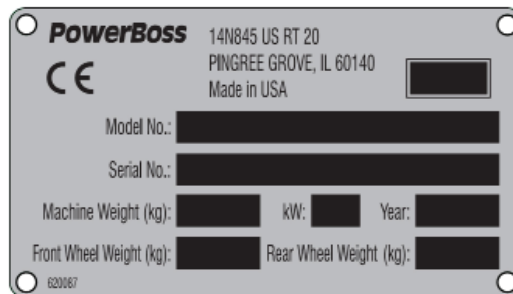
This is the Parts Catalog for the PowerBoss® Nautilus Hi-Dump Scrubber/Sweeper machine. This catalog covers all Standard Nautilus Hi-Dump machine variations beginning August 2015. We believe this machine will provide excellent service for many years. Best results will be obtained if:

- The machine is operated with reasonable care.
- The machine is maintained regularly per the maintenance schedule provided in the User Manual.
- The machine is maintained with PowerBoss® supplied or equivalent parts.

All right side and left side references to the machine (except for engine) are determined by facing the direction of forward travel. The front of the engine or engine fan faces the front of the machine. Some hardware considered to be common or locally available has been omitted from the parts section to make this manual clear. Be sure to use equivalent hardware when replacement becomes necessary.

The Model and Serial Number of your machine is shown on the I.D. name plate. This information is needed when contacting Technical Support or when ordering parts. The I.D. plate is mounted on the left side wall of the operator seating area.

**Example I.D Plate:**



Parts may be ordered by phone, fax or e-mail from any PowerBoss® parts and service center. Before ordering parts or supplies, be sure to have your machine model number and serial number handy. For your convenience Fill out the data block below for future reference.

**MACHINE DATA**  
Fill out at installation

Serial Number: \_\_\_\_\_

Engine Serial Number: \_\_\_\_\_

Sales Rep.: \_\_\_\_\_

Date of Install: \_\_\_\_\_

All information contained in this catalog is current at the time of printing. Minuteman International, Inc. reserves the right to make changes at any time without notice.

PowerBoss®, Minuteman International, Inc., Copyright 2014-2015, Printed in USA

**TECHNICAL SPECIFICATIONS**

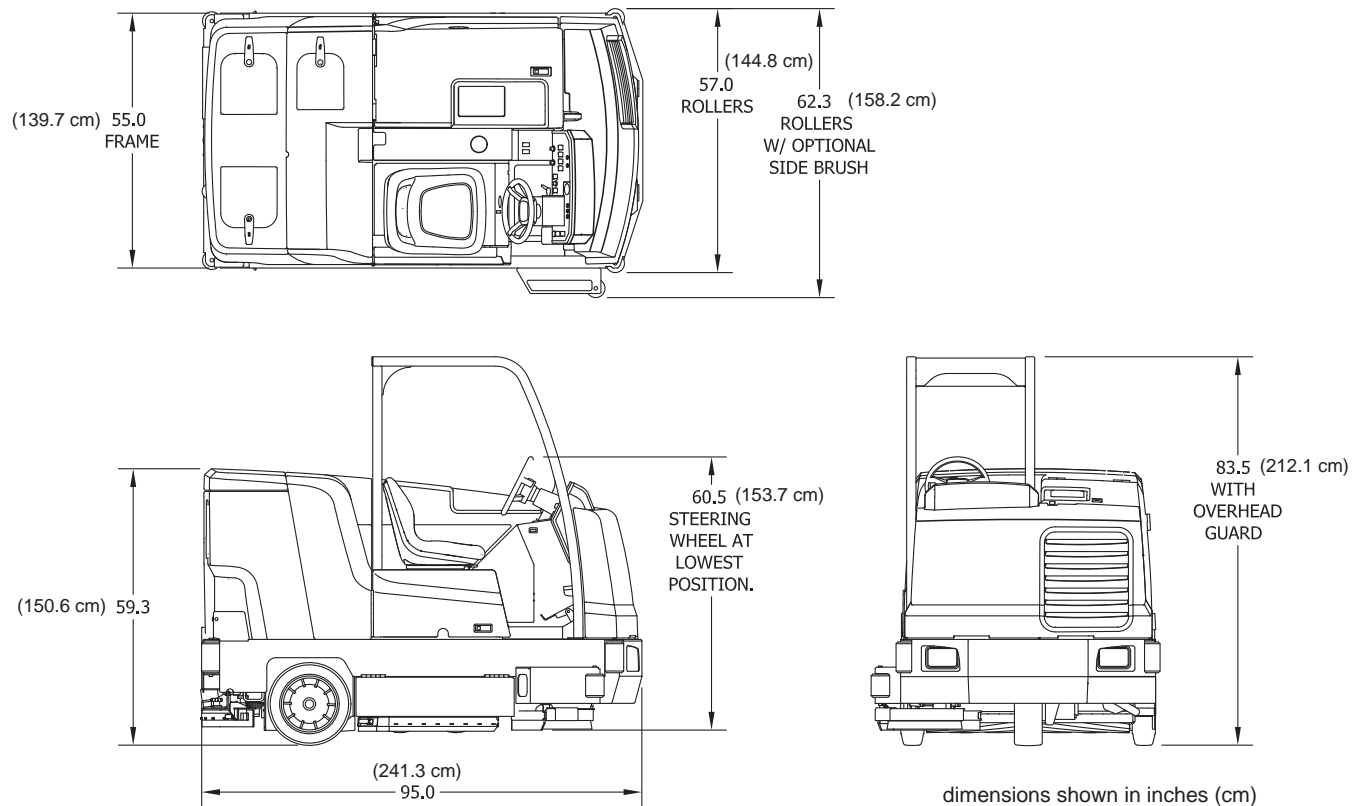
Model: Nautilus Hi-Dump Rider Scrubber/Sweeper and Nautilus Hi-Dump CE Rider Scrubber/Sweeper  
 Model No.: PB45HDSL(Diesel), PB45HGAS(Gas), PB45HLP(LPG) PB45HDSLCE(Diesel), PB45HLPCE(LPG)

**GENERAL MACHINE SPECIFICATIONS**

- Length: . . . . . 95.0 in (241.3 cm)
- Width with side scrub brush retracted: . . . 60.5 in (153.7 cm)
- Width with side scrub brush extended: . . . 65.5 in (166.4 cm)
- Height to lowest steering position: . . . . . 60.5 in (153.7 cm)
- Height with overhead guard: . . . . . 83.5 in (212.1 cm)
- Wheelbase: . . . . . 47.75 in (121.3 cm)
- Front tires (molded): . . . . . 16 in x 6 in  
 . . . . . (40 cm x 15 cm)
- Rear tires (press on): . . . . . 18 in x 5 in  
 . . . . . (45 cm x 12 cm)
- Aisle width U-turn: . . . . . 8 ft - 11.7 in (273.6 cm)
- Weight (Diesel engine) . . . . . 4,047 lb (1836 kg)
- Weight (Gas & LPG engines) . . . . . 4,027 lb (1826 kg)
- Maximum forward speed: . . . . . 7.7 mph (12.4 km/h)
- Maximum reverse speed: . . . . . 4.0 mph (6.4 km/h)
- Maximum climb angle (Traveling): . . . . . 10 deg. (17% grade)
- Maximum climb angle (Scrubbing): . . . . . 8 deg. (14% grade)

**SCRUBBING SYSTEM**

- Cleaning path (main brushes) . . . . . 45 in (114 cm)
- Cleaning path (w/optional side brush) . . . 60 in (152 cm)
- Main brush diameter: . . . . . 12 in (30 cm)
- Main brush length: . . . . . 45 in (114 cm)
- Main brush speed: . . . . . 425 RPM
- Main brush force: . . . . . 200 lb - 400 lb  
 . . . . . (90 kg - 181 kg)
- Side scrub brush diameter: . . . . . 16 in (40 cm)
- Side scrub brush speed: . . . . . 200 RPM
- Solution Tank capacity: . . . . . 105 gal (397 L)
- Recovery Tank capacity: . . . . . 105 gal (397 L)
- Demister chamber capacity: . . . . . 17 gal (64 L)
- (2) Debris trays, total capacity: . . . . . 2.1 ft³ (.059 m³)
- Vacuum fan speed: . . . . . 11,500 RPM
- Vacuum water lift: . . . . . 35 in (88 cm)



**TABLE OF CONTENTS**

**PREFACE** ..... 2

**TECHNICAL SPECIFICATIONS** ..... 4

    GENERAL MACHINE SPECIFICATIONS ..... 4

    SCRUBBING SYSTEM ..... 4

    FRAME GROUP (770105) ..... 8

    BRAKE GROUP (730101) ..... 10

    REAR WHEEL GROUP (770109) ..... 12

    FRONT WHEEL GROUP (730102) ..... 14

    STEERING FORK GROUP (730103) ..... 16

    CONSOLE GROUP (730152) ..... 18

    STEERING COLUMN GROUP (730104) ..... 20

    INSTRUMENT PANEL GROUP - DIESEL (770108) ..... 22

    INSTRUMENT PANEL GROUP - GAS (770107) ..... 24

    INSTRUMENT PANEL GROUP - LPG (770106) ..... 26

    INSTRUMENTATION GROUP (770122) ..... 28

    ELECTRICAL BOX GROUP - DIESEL (730156) ..... 30

    DIRECTIONAL CONTROL GROUP (730110) ..... 32

    PUMP LINKAGE GROUP (730111) ..... 34

    SCRUB HEAD GROUP (730112) ..... 36

    SCRUB BRUSH LIFT GROUP (730113) ..... 38

    SCRUB BRUSH IDLER GROUP (730114) ..... 40

    BRUSH DOOR GROUP (730115) ..... 42

    SQUEEGEE LIFT GROUP (770100) ..... 44

    SQUEEGEE LINKAGE GROUP (770101) ..... 46

    SQUEEGEE GROUP (730118) ..... 48

    SIDE SQUEEGEE GROUP - RH (730120) ..... 50

    SIDE SQUEEGEE GROUP - LH (730157) ..... 52

    SOLUTION TANK GROUP (770104) ..... 54

    SOLUTION CONTROL GROUP (770114) ..... 56

    RECOVERY TANK GROUP (770102) ..... 58

    RECOVERY TANK DRAIN GROUP (770103) ..... 60

    HOPPER GROUP (770113) ..... 62

    HOPPER LIFT GROUP (770111) ..... 64

    HOPPER CRADLE GROUP (730174) ..... 66

    REAR BUMPER GROUP (770115) ..... 68

    BUMPER LIFT GROUP (770110) ..... 70

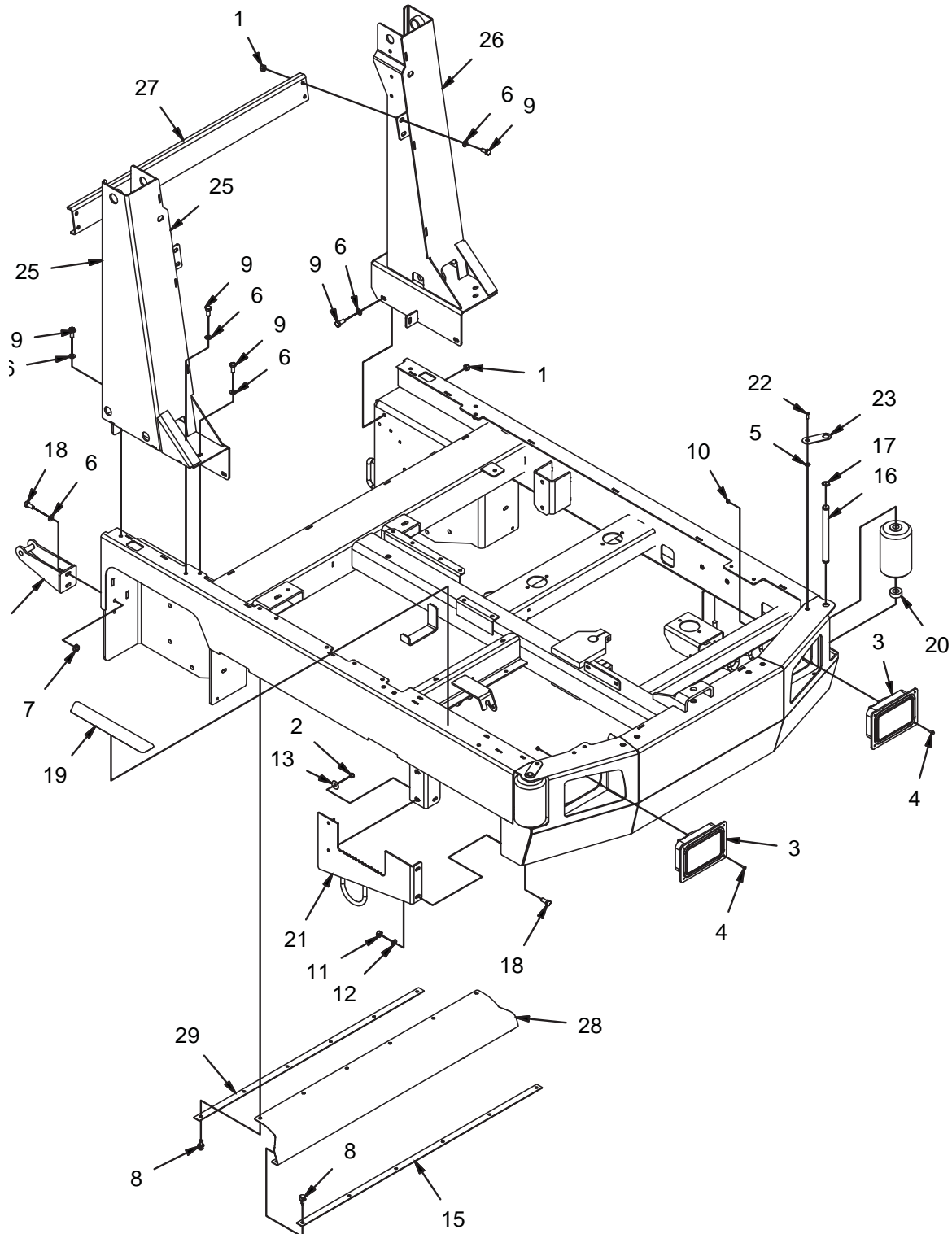
    IMPELLER GROUP (730126) ..... 72

    IMPELLER HYDRAULIC MANIFOLD GROUP (770116) ..... 74

HYDRAULIC RESERVOIR GROUP (730127) .....	76
HYDRAULIC PUMP GROUP (730136) .....	78
HYDRAULIC VALVE GROUP (730137) .....	80
HYDRAULIC MANIFOLD COMPONENTS GROUP (730170) .....	82
ENGINE MOUNT GROUP - DIESEL (730128) .....	84
ENGINE MOUNT GROUP - GAS (730164) .....	86
ENGINE MOUNT GROUP - LPG (730163) .....	88
AIR CLEANER GROUP - DIESEL (730131) .....	90
AIR CLEANER GROUP - GAS (730129) .....	92
AIR CLEANER GROUP - LPG (730130) .....	94
RADIATOR GROUP (730132) .....	96
RADIATOR OVERFLOW BOTTLE GROUP (730133) .....	98
OIL COOLER GROUP (730134) .....	100
EXHAUST GROUP - DIESEL (730154) .....	102
EXHAUST GROUP - LPG (730135) .....	104
EXHAUST GROUP - GAS (730178) .....	106
FUEL TANK MOUNT GROUP - DIESEL (730140) .....	108
FUEL TANK MOUNT GROUP - GAS (730139) .....	110
LPG TANK MOUNT GROUP (730138) .....	112
FUEL LINE GROUP - DIESEL (730153) .....	114
FUEL COMPONENT GROUP (730141) .....	116
THROTTLE SOLENOID GROUP - DIESEL (730151) .....	118
BATTERY GROUP (730142) .....	120
FRONT COVER GROUP (730143) .....	122
TOP COVER GROUP (730144) .....	124
SIDE DOOR GROUP (730145) .....	126
SEAT DOOR GROUP (730146) .....	128
SEAT MOUNT GROUP (730147) .....	130
HYDRAULIC HOSE GROUP (730148) .....	132
HOSE CLAMP GROUP ONE (770120) .....	134
DECAL GROUP (770121) .....	136
ELECTRICAL GROUP (730116) .....	138
BRUSH/BROOM GROUP (730175) .....	140
<b>OPTIONS - PARTS BREAKDOWN .....</b>	<b>142</b>
OPTION - SIDE BRUSH GROUP (730000) .....	142
OPTION - SIDE BRUSH LIFT GROUP (730001) .....	144
OPTION - SIDE BRUSH SOLUTION CONTROL GROUP (730002) .....	146
OPTION - SIDE BRUSH HYDRAULIC HOSE GROUP (730011) .....	148

OPTION - SIDE BRUSH SCRUB HEAD GROUP (730028) .....	150
OPTION - SIDE BRUSH STEERING COLUMN GROUP (730029) .....	152
OPTION - SSB HYDRAULIC MANIFOLD GROUP (730171) .....	154
OPTION - OVERHEAD GUARD GROUP (730003) .....	156
OPTION - STROBE LIGHT GROUP (ON OVERHEAD GUARD) (730004) .....	158
OPTION - ROTATING LIGHT GROUP (ON OVERHEAD GUARD) (730005) .....	160
OPTION - FLASHING LIGHT GROUP (ON OVERHEAD GUARD) (730006).....	162
OPTION - SUSPENSION SEAT GROUP (730007) .....	164
OPTION - BACKUP ALARM GROUP (730008) .....	166
OPTION - SEAT BELT (FOR SUSPENSION SEAT) GROUP (730009) .....	168
OPTION - SEAT BELT (FOR STANDARD SEAT) GROUP (730010) .....	170
OPTION - STROBE LIGHT GROUP (ON SOLUTION TANK) (730012) .....	172
OPTION - ROTATING LIGHT GROUP (ON SOLUTION TANK) (730013) .....	174
OPTION - FLASHING LIGHT GROUP (ON SOLUTION TANK) (730014) .....	176
OPTION - CHEMICAL METERING GROUP (730015) .....	178
OPTION - FIRE EXTINGUISHER GROUP (730016) .....	180
OPTION - AUTO FILL GROUP (730017) .....	182
OPTION - URETHANE SQUEEGEE BLADE GROUP (730024) .....	184
OPTION - URETHANE SIDE BRUSH SQUEEGEE GROUP (730025) .....	186
OPTION - SEAT SWITCH (730031) .....	188
OPTION - SIDE BROOM GROUP (730032).....	190
OPTION - SIDE BROOM LIFT AND ADJUSTMENT GROUP (730033).....	192
OPTION - SIDE BRUSH HYDRAULIC HOSE ROUTING (730038) .....	194
OPTION - LOW LP INDICATOR GROUP (730042) .....	196
OPTION - RESERVE LPG TANK GROUP (730160) .....	198
OPTION - STROBE LIGHT GROUP W/CHEMICAL METERING (730166) .....	200
OPTION - ROTATING LIGHT GROUP W/CHEMICAL METERING (730167).....	202
OPTION - FLASHING LIGHT GROUP W/CHEMICAL METERING (730168) .....	204
OPTION - BACKUP ALARM GROUP - CM, RESERVE LPG IN (730169).....	206
<b>LAYOUTS - ELECTRICAL/HYDRAULIC .....</b>	<b>208</b>
ELECTRICAL SCHEMATIC LAYOUT .....	208
HYDRAULIC SYSTEM LAYOUT.....	212
HYDRAULIC SYSTEM LAYOUT WITH OPTIONAL SIDE SCRUB BRUSH.....	213
NOTES .....	214
<b>WARRANTY.....</b>	<b>215</b>

**FRAME GROUP (770105)**



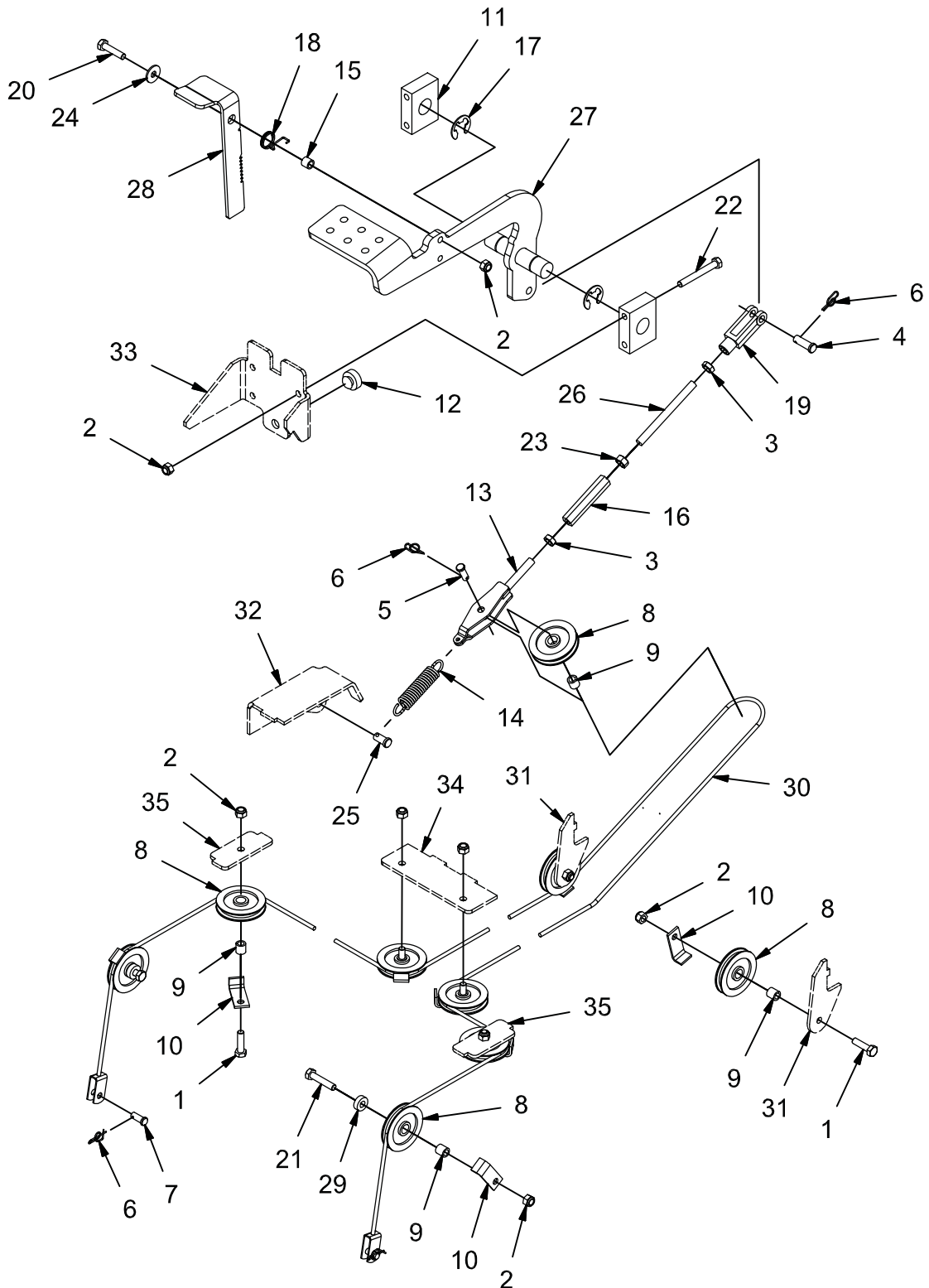
REV \*



## FRAME GROUP (770105)

Parts List 770105			
ITEM	PART NUMBER	QTY	DESCRIPTION
1	12040069	8	NUT, M10-1.50 ESN
2	12040259	2	NUT, M8-1.25 ESN SS
3	3315839	2	HEADLIGHT 12V
4	3400044	8	SCR-HEX,#10-32 X 0.75 ZP
5	3400089	2	WASHER, 1/4 .625 X .281 X .063
6	3400385	16	WASHER, 3/8, BELLEVILLE
7	600936	2	NUT, M10-1.50 FLNG
8	600965	12	FASTENER, PRESS-IN
9	620082	14	BOLT, M10-1.25 X 25 HH ZP
10	711350	8	NUT, 10-32, ESN
11	730339	2	NUT, M10-1.50 ESN SS
12	730344	2	WASHER, M10 SS
13	730526	2	WASHER, M8 FENDER SS
14	730719	2	ROLLER
15	730830	1	RETAINER, SEAL
16	730876	2	PIN, ROLLER
17	730877	2	RETAINING RING, EXT, .750
18	730958	4	BOLT, M10-1.50 X 25 HH SS
19	730967	1	PAD, STEP
20	730975	2	SPACER, .813 B 1.50 OD .56 T
21	730978	1	ASSEMBLY, COVER
22	731382	2	SCREW, M6-1.00 X 20 FLAT SHCS ZP
23	731388	2	RETAINER, ROLLER PIN
24	770301-1	1	ASSEMBLY, HIGH DUMP FRAME
25	770381	1	WELDMENT, RH PILLAR
26	770388	1	WELDMENT, LH PILLAR
27	770393	1	CHANNEL, CROSS
28	770541	1	SEAL, HOPPER
29	770542	1	RETAINER, SEAL
30	770548	1	WELDMENT, STRIKER

**BRAKE GROUP (730101)**

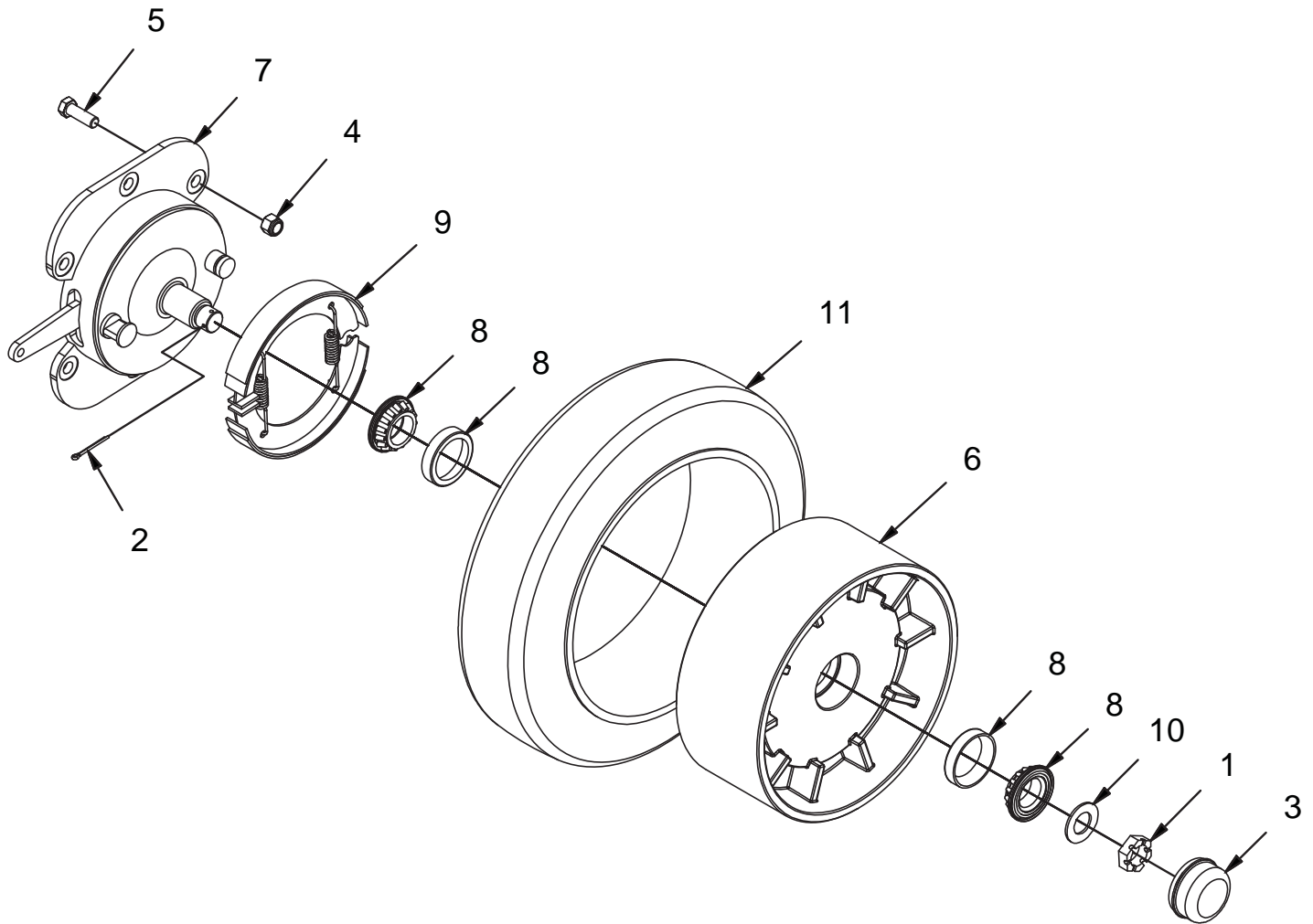


REV \*

## BRAKE GROUP (730101)

Parts List 730101			
ITEM	PART NUMBER	QTY	DESCRIPTION
1	11038254	6	BOLT, M8-125 X 30 HH
2	12040051	13	NUT, M8-1.25 ESN
3	3400075	2	NUT, HEX JAM 3/8-24
4	3400117	1	PIN, CLEVIS 3/8 X 1.125
5	3400118	1	PIN, CLEVIS, .313 X .88
6	3400125	4	RUE-RING, .375
7	450034	2	PIN, CLEVIS, .313 X .75
8	600113	9	PULLEY, .50 B, 2.00 D, .44 T
9	600114	9	SPACER, .328 B .498 OD .500 T
10	600115	8	RETAINER, CABLE
11	600116	2	BLOCK, BRAKE PIVOT
12	600117	1	BUMPER, 1.00 X .339 T
13	600121	1	CLEVIS, BRAKE PULLEY
14	600127	1	SPRING, EXT, .105 W .75 OD 3.50 L
15	600315	1	SPACER, .344 B .485 OD .425 T
16	600338	1	TURNBUCKLE, .375
17	600570	2	E-RING, .88
18	600809	1	SPRING, TORSION
19	600813	1	CLEVIS, 3/8-24
20	600918	1	BOLT, M8-125 X 35 HH
21	600919	2	BOLT, M8-1.25 X 40 HH
22	600921	4	BOLT, M8-1.25 X 65 HH
23	600938	1	NUT, 3/8-24 LH
24	600940	1	WASHER, M8 FENDER
25	711679	1	PIN, CLEVIS, .375 X .75
26	730369	1	ROD, BRAKE ADJ
27	730370	1	WELDMENT, BRAKE PEDAL
28	730372	1	PEDAL, PARKING BRAKE
29	730374	2	SPACER, .344 ID .75 OD .25 T
30	730375	1	CABLE, BRAKE
31	REF.	-	FRAME
32	REF.	-	FRAME
33	REF.	-	CONSOLE
34	REF.	-	FRAME
35	REF.	-	FRAME

**REAR WHEEL GROUP (770109)**

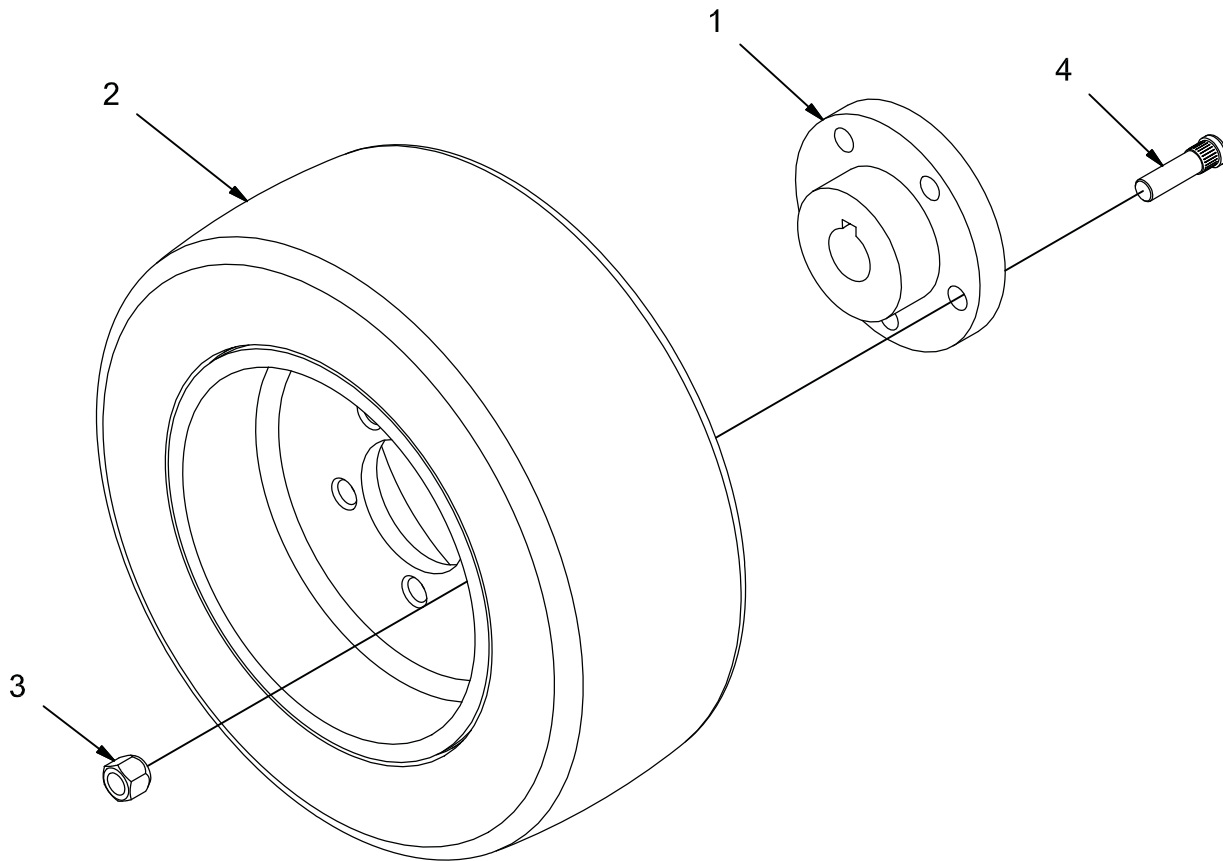


**REV \***

**REAR WHEEL GROUP (770109)**

Parts List 770109			
ITEM	PART NUMBER	QTY	DESCRIPTION
1	3400223	2	NUT, 1-20 SLOTTED ZP
2	380-632-20	2	PIN, COTTER .125 X 1.50 ZP
3	383250	2	GREASE CAP
4	711376	12	NUT, FIBER INSERT 1/2-13
5	712047	12	SCREW, 1/2-13 X 1.50 HHC
6	730314	2	RIM, 18"
7	730316	2	ASSEMBLY, BRAKE-AXLE
8	730353	4	BEARING SET, 1.38 BORE CUP AND CONE
9	730357	-	BRAKE SHOE REPLACEMENT KIT
10	730358	2	SPACER, 1.03 B 1.88 OD .105 T
11	730359	2	TIRE, PRESS ON, 18 X 5

**FRONT WHEEL GROUP (730102)**

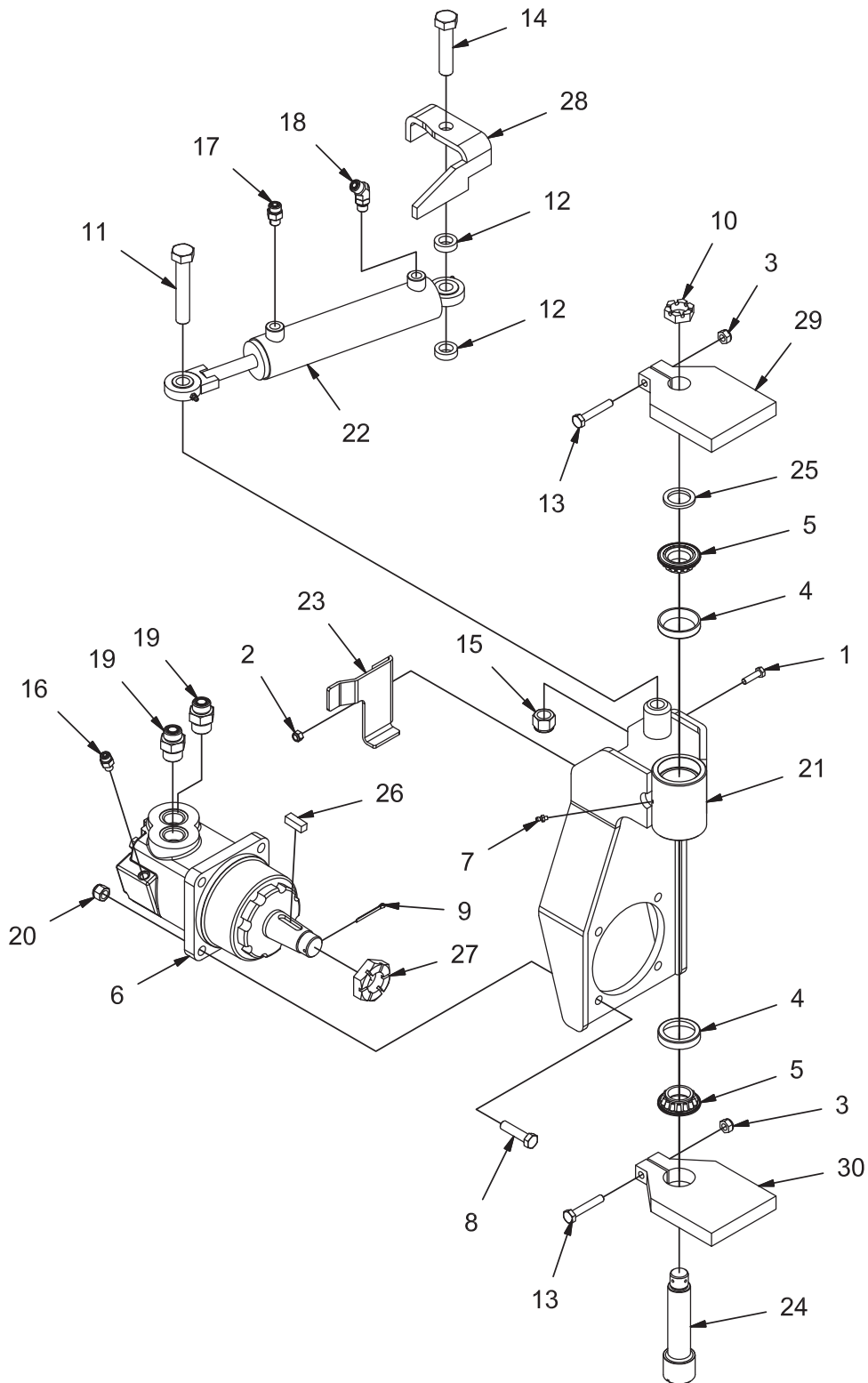


**REV A**

**FRONT WHEEL GROUP (730102)**

Parts List 730102			
ITEM	PART NUMBER	QTY	DESCRIPTION
1	3316056	1	HUB, REAR WHEEL PNTD FULL
2	3316330	1	ASSEMBLY, TIRE AND RIM 16" PRESS-ON
3	3316057	5	NUT, LUG, 9/16-18
4	713526	5	STUD, WHEEL

**STEERING FORK GROUP (730103)**



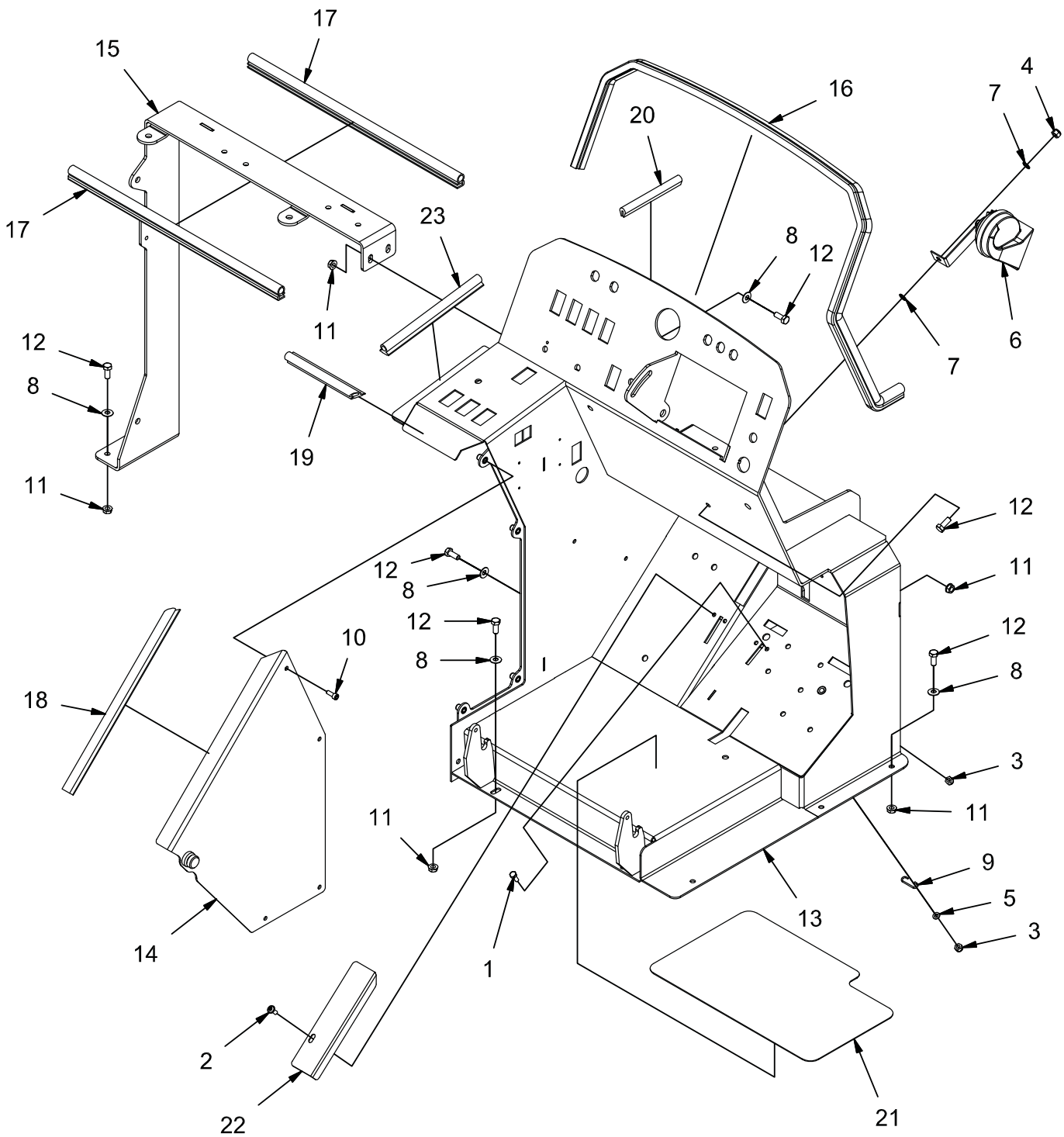
**REV B**



**STEERING FORK GROUP (730103)**

Parts List 730103			
ITEM	PART NUMBER	QTY	DESCRIPTION
1	11038254	1	BOLT, M8-125 X 30 HH
2	12040051	1	NUT, M8-1.25 ESN
3	12040069	2	NUT, M10-1.50 ESN
4	3300470	2	BEARING, PIVOT BEARING - CUP
5	3300471	2	BEARING - CONE W/SEAL
6	3305108	1	MOTOR, HYD. WHEEL
7	3400012	3	GREASE ZIRK
8	3400020	4	BOLT, 1/2-13 X 2.00 HH
9	3400122	1	COTTERPIN .125 X 2.00
10	3400223	1	NUT, 1-20 SLOTTED ZP
11	731426	1	BOLT, 3/4-10 X 4.25 HH STL ZP
12	731427	2	SPACER, .766 B 1.25 OD .375 T
13	600925	2	BOLT, M10-1.50 X 60 HH
14	600932	1	BOLT, 3/4-10 X 3.25 HH
15	620059	1	NUT, 3/4-10 FIBER INSERT STL ZP
16	675508	1	FITTING, STR, 4 ORFS - 4-SAE
17	675515	1	FITTING, STR, 6 ORFS - 6 SAE
18	675552	1	FITTING, 45, 6 ORFS - 6 SAE
19	675578	2	FTG, STR, -12 ORFS TO -12 SAE
20	711376	4	NUT, FIBER INSERT 1/2-13
21	730300	1	WELDMENT, STEERING FORK
22	730307	1	CYLINDER, STEERING
23	730312	1	RETAINER, HOSE
24	730351	1	PIN, PIVOT
25	730352	1	SPACER, 1.255 B 1.75 OD .166 T
26	PART OF 3305108	1	KEY .44 SQ X 1.25
27	PART OF 3305108	1	NUT 1.25-18
28	REF.	-	FRAME
29	REF.	-	FRAME
30	REF.	-	FRAME

**CONSOLE GROUP (730152)**

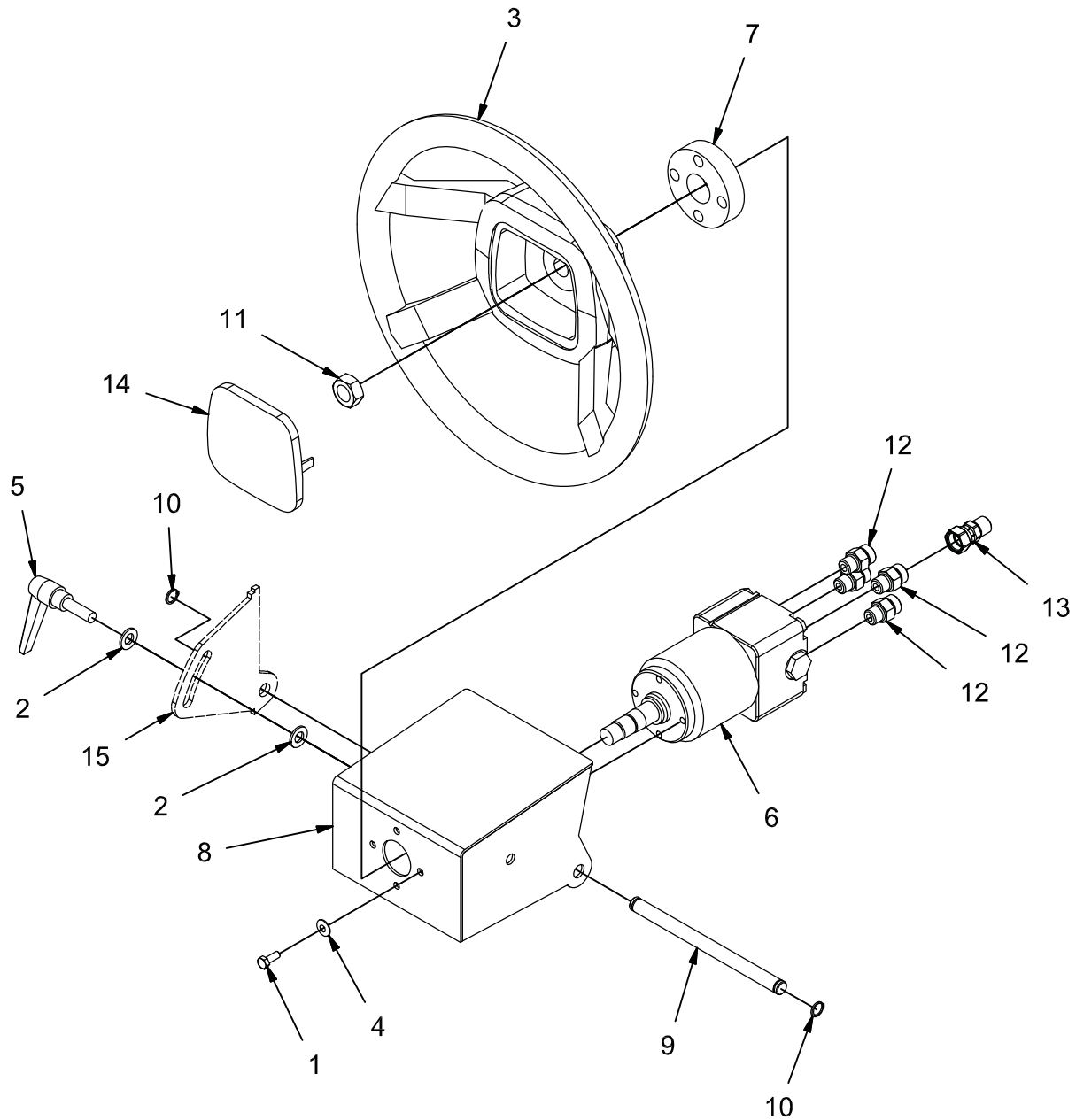


**REV F**

**CONSOLE GROUP (730152)**

Parts List 730152			
ITEM	PART NUMBER	QTY	DESCRIPTION
1	11038072	2	BOLT, M6-1.00 X 16 HH
2	11177060	1	SCREW, M6-1.00 X 16 BHCS W/FLANGE SS
3	12040044	3	NUT, M6-1.00 ESN
4	12040259	1	NUT, M8-1.25 ESN SS
5	12310033	2	WASHER, M6
6	3300379	1	HORN, 12V
7	3400273	2	WASHER, STAR, .31, INT. ZP
8	3400384	11	WASHER, 5/16 BELLEVILLE
9	600125	1	CATCH, PARKING BRAKE
10	600912	4	BOLT, M6-1.00 X 16 SHCS
11	600934	11	NUT, M8-1.25 FLNG
12	717024	12	BOLT, M8-1.25 X 20 HH
13	730376-1	1	ASSEMBLY, CONSOLE
14	730396	1	WELDMENT, CONSOLE COVER
15	730401	1	WELDMENT, COVER FRAME
16	730536	1	SEAL, BULB, 50.50 LG
17	730537	2	SEAL, BULB, 19.38 LG
18	730538	1	SEAL, BULB, 14.00 LG
19	730539	1	SEAL, BULB, 6.63 LG
20	730543	1	EDGING, 1/8 X 5.25"
21	730988	1	PAD, FLOOR
22	731008	1	ANGLE, COVER
23	731162	1	SEAL, BULB, 8.88 LG

**STEERING COLUMN GROUP (730104)**

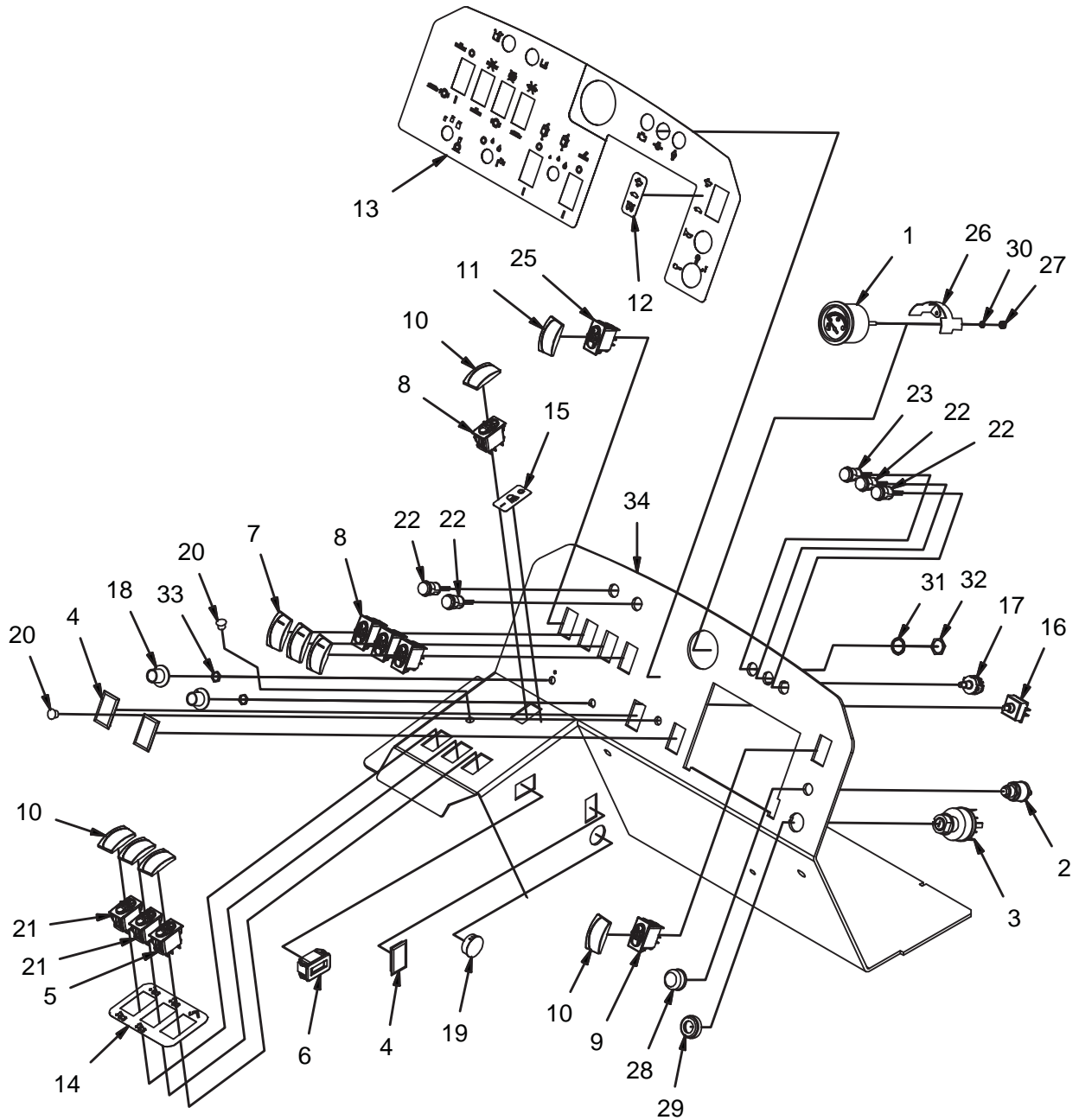


REV \*

**STEERING COLUMN GROUP (730104)**

Parts List			
ITEM	PART NUMBER	QTY	DESCRIPTION
1	11038072	4	BOLT, M6-1.00 X 16 HH
2	12310058	2	WASHER, M10
3	3338215	1	STEERING WHEEL
4	3400383	4	WASHER, 1/4 BELLEVILLE
5	600260	1	KNOB, LEVER
6	600368	1	STEERING UNIT
7	600389	1	STEERING RING
8	600465	1	WELDMENT, STEERING MNT
9	600516	1	SHAFT, ROLLER
10	600569	2	RETAINING RING, EXT .50 HD
11	620057	1	NUT, JAM, M16-1.50 STL ZP
12	675515	4	FITTING, STR, 6 ORFS - 6 SAE
13	675600	1	FTG - .094 ORIFICE ADAPTER -6 ORFS TO -6 ORFS
14	PART OF 3338215	1	COVER, STEERING WHEEL
15	REF	1	FRAME

**INSTRUMENT PANEL GROUP - DIESEL (770108)**

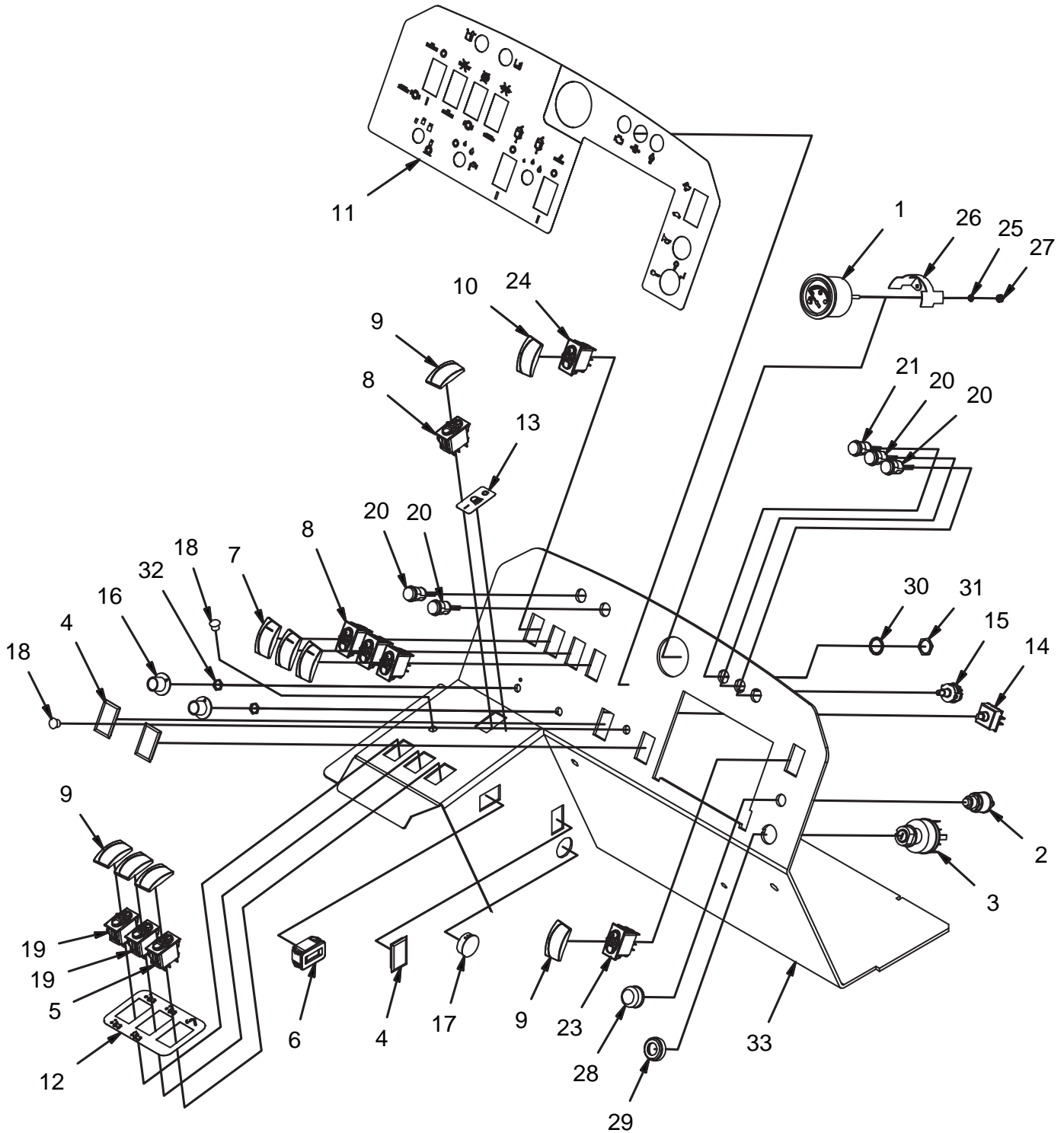


**REV C**

**INSTRUMENT PANEL GROUP - DIESEL (770108)**

Parts List 770108			
ITEM	PART NUMBER	QTY	DESCRIPTION
1	3300382	1	GAUGE, FUEL
2	3300441	1	SWITCH, MOMENTARY
3	3316100	1	KEYSWITCH
4	3323529	3	COVER
5	3335114	1	SWITCH, MOMENTARY
6	3336094	1	HOUR METER
7	3342273	3	SWITCH COVER - BLACK, CLEAR LENS
8	3342705	4	SWITCH, DPST
9	3343912	1	SWITCH, DPDT
10	3344038	5	SWITCH CAP
11	3344039	1	SWITCH CAP. GREEN
12	715956	1	DECAL, DIESEL IGN
13	715957	1	DECAL, INST PANEL
14	715972	1	DECAL, HIGH DUMP
15	715973	1	DECAL, LIGHTS
16	730850	1	SWITCH, ROTARY, 3-WAY
17	730989-1	1	SWITCH, ROTARY 3-POS
18	731187	2	KNOB
19	731393	1	HOLE PLUG, 1-1/8
20	742749	2	PLUG, BLACK PLASTIC
21	748157	2	SWITCH, ROCKER, DPDT MOMENTARY
22	748995	4	LIGHT ASSY, INDICATOR RED - LED
23	748996	1	LIGHT ASSY, INDICATOR AMBER - LED
24	748998	1	HARNESS, FUEL GAUGE
25	748761	1	SWITCH, DPDT
26	PART OF 3300382	1	RETAINER, GAUGE
27	PART OF 3300382	2	NUT
28	PART OF 3300441	1	CAP, SWITCH
29	PART OF 3316100	1	NUT, KEYSWITCH
30	PART OF 3300382	2	LOCKWASHER
31	PART OF LED	5	LOCK WASHER
32	PART OF LED	5	NUT
33	PART OF ROTARY SWITCH	2	NUT
34	REF	-	CONSOLE
-	3301345-1	1	WIRE ASSY, LIGHT GAUGE

**INSTRUMENT PANEL GROUP - GAS (770107)**



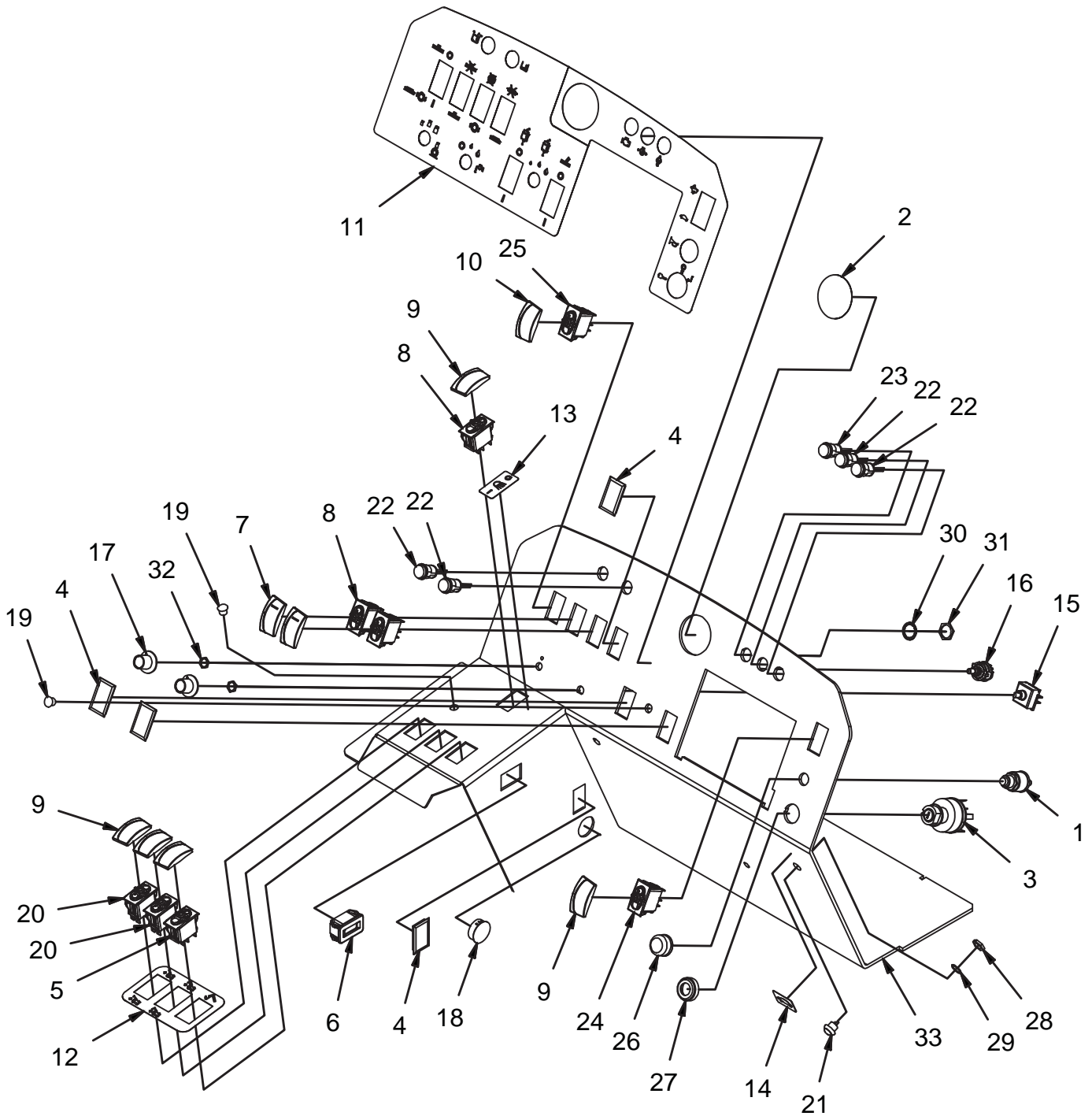
**REV C**



**INSTRUMENT PANEL GROUP - GAS (770107)**

Parts List 770107			
ITEM	PART NUMBER	QTY	DESCRIPTION
1	3300382	1	GAUGE, FUEL
2	3300441	1	SWITCH, MOMENTARY
3	3316100	1	KEYSWITCH
4	3323529	3	COVER
5	3335114	1	SWITCH, MOMENTARY
6	3336094	1	HOUR METER
7	3342273	3	SWITCH COVER - BLACK, CLEAR LENS
8	3342705	4	SWITCH, DPST
9	3344038	5	SWITCH CAP
10	3344039	1	SWITCH CAP. GREEN
11	715957	1	DECAL, INST PANEL
12	715972	1	DECAL, HIGH DUMP
13	715973	1	DECAL, LIGHTS
14	730850	1	SWITCH, ROTARY, 3-WAY
15	730989-1	1	SWITCH, ROTARY 3-POS
16	731187	2	KNOB
17	731393	1	HOLE PLUG, 1-1/8
18	742749	2	PLUG, BLACK PLASTIC
19	748157	2	SWITCH, ROCKER, DPDT MOMENTARY
20	748995	4	LIGHT ASSY, INDICATOR RED - LED
21	748996	1	LIGHT ASSY, INDICATOR AMBER - LED
22	748998	1	HARNESS, FUEL GAUGE
23	3342703	1	SWITCH, DPDT
24	748761	1	SWITCH, DPDT
25	PART OF 3300382	2	LOCKWASHER
26	PART OF 3300382	1	RETAINER, GAUGE
27	PART OF 3300382	2	NUT
28	PART OF 3300441	1	CAP, SWITCH
29	PART OF 3316100	1	NUT, KEYSWITCH
30	PART OF LED	5	LOCK WASHER
31	PART OF LED	5	NUT
32	PART OF ROTARY SWITCH	2	NUT
33	REF	-	CONSOLE
-	3301345-1	1	WIRE ASSY, LIGHT GAUGE

**INSTRUMENT PANEL GROUP - LPG (770106)**

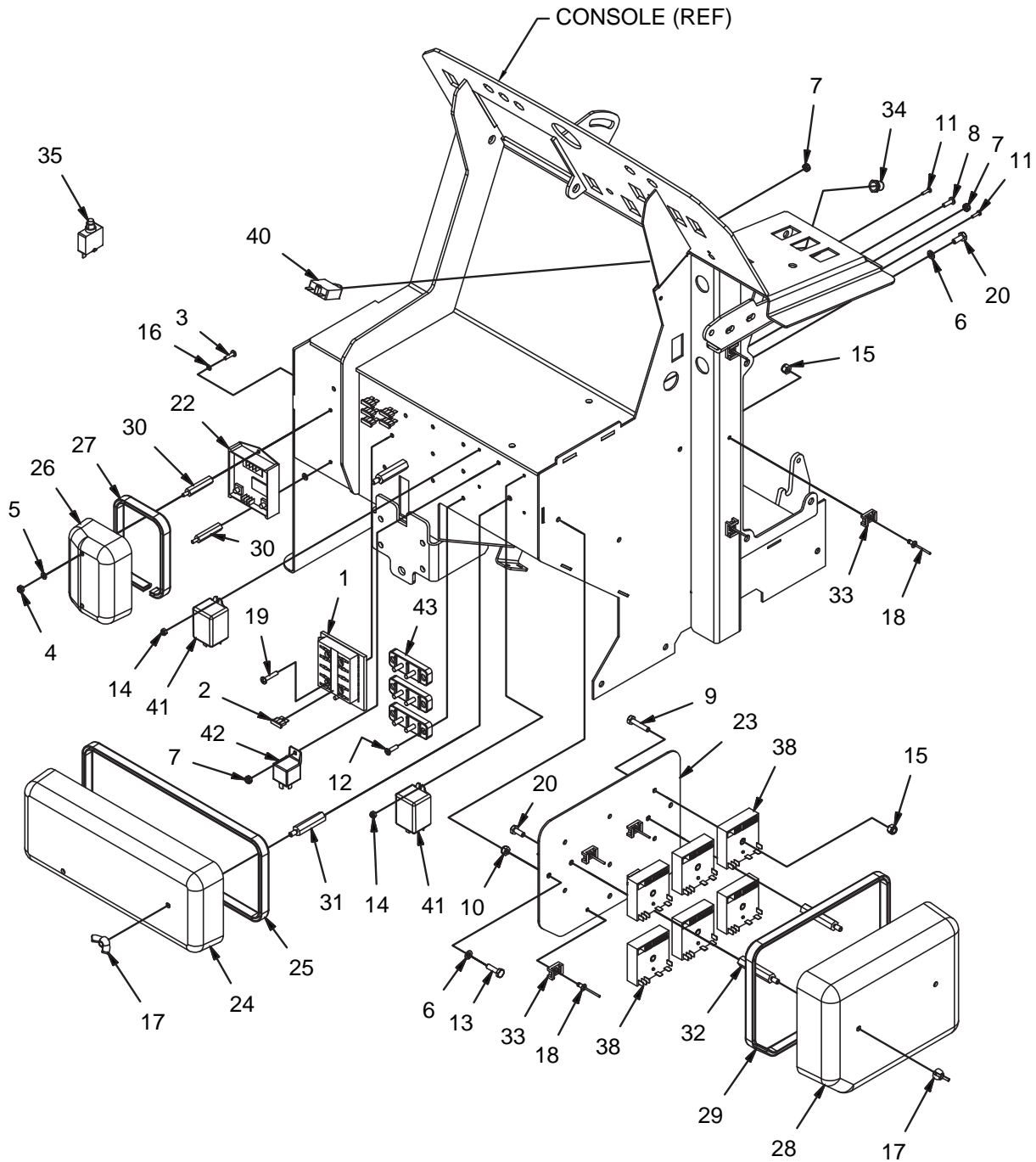


**REV B**

**INSTRUMENT PANEL GROUP - LPG (770106)**

Parts List 770106			
ITEM	PART NUMBER	QTY	DESCRIPTION
1	3300441	1	SWITCH, MOMENTARY
2	3301822	1	PLUG, PLASTIC, 2.00
3	3316100	1	KEYSWITCH
4	3323529	4	COVER
5	3335114	1	SWITCH, MOMENTARY
6	3336094	1	HOUR METER
7	3342273	2	SWITCH COVER - BLACK, CLEAR LENS
8	3342705	3	SWITCH, DPST
9	3344038	5	SWITCH CAP
10	3344039	1	SWITCH CAP. GREEN
11	715957	1	DECAL, INST PANEL
12	715972	1	DECAL, HIGH DUMP
13	715973	1	DECAL, LIGHTS
14	715974	1	DECAL, IDLE
15	730850	1	SWITCH, ROTARY, 3-WAY
16	730989-1	1	SWITCH, ROTARY 3-POS
17	731187	2	KNOB
18	731393	1	HOLE PLUG, 1-1/8
19	742749	2	PLUG, BLACK PLASTIC
20	748157	2	SWITCH, ROCKER, DPDT MOMENTARY
21	748791-1	1	WIRE ASSY, SWITCH
22	748995	4	LIGHT ASSY, INDICATOR RED - LED
23	748996	1	LIGHT ASSY, INDICATOR AMBER - LED
24	3342703	1	SWITCH, DPDT
25	748761	1	SWITCH, DPDT
26	PART OF 3300441	1	CAP, SWITCH
27	PART OF 3316100	1	NUT, KEYSWITCH
28	PART OF 748791-1	1	NUT
29	PART OF 748791-1	1	WASHER
30	PART OF LED	5	LOCK WASHER
31	PART OF LED	5	NUT
32	PART OF ROTARY SWITCH	2	NUT
33	REF	-	CONSOLE

**INSTRUMENTATION GROUP (770122)**

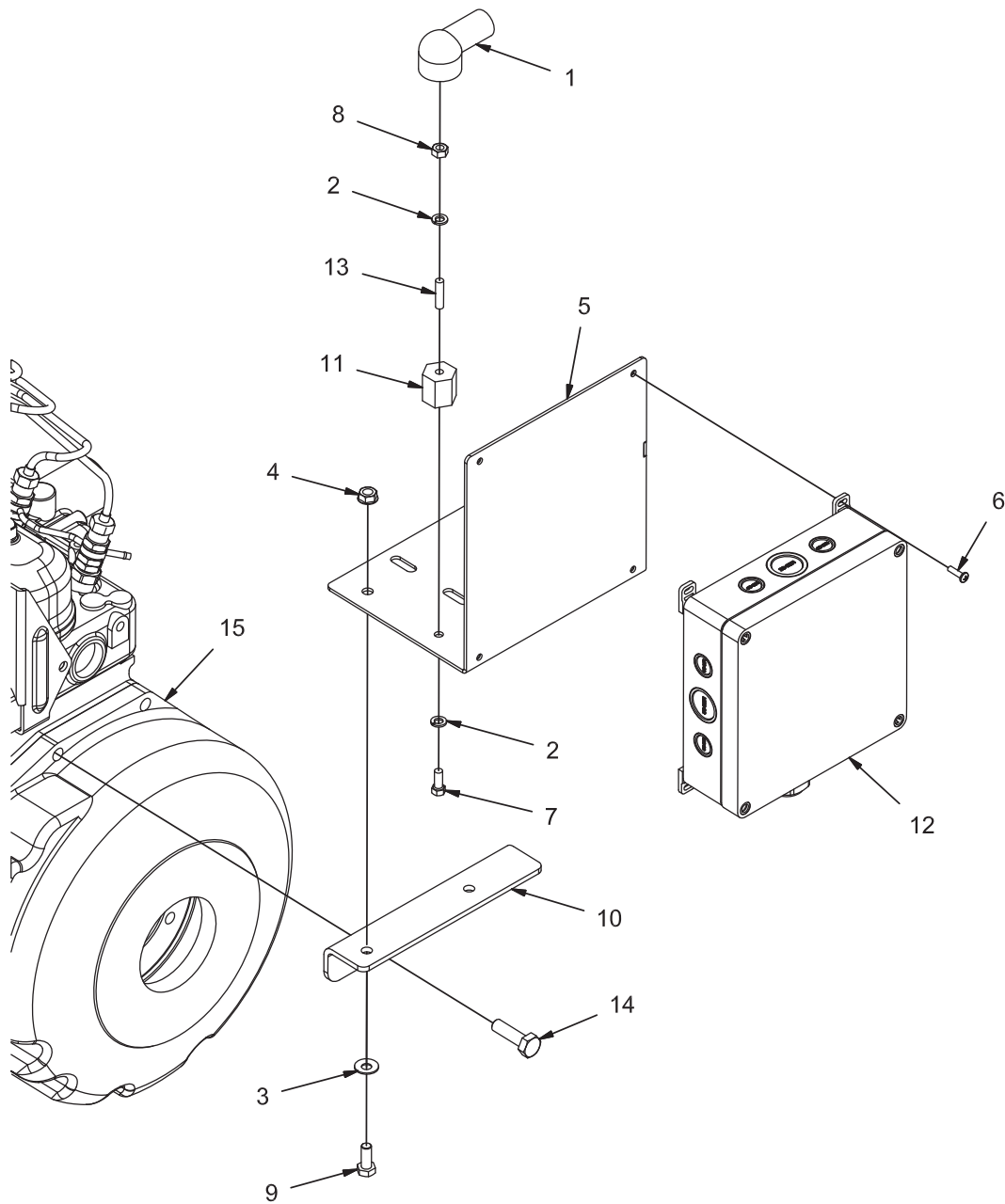


**REV A**

**INSTRUMENTATION GROUP (770122)**

Parts List - 770122			
ITEM	PART NUMBER	QTY	DESCRIPTION
1	3322599	1	FUSE BLOCK
2	3322601	6	FUSE, 15A
3	3400045	2	SCREW, #8-32 X .625 PAN HD ZP
4	3400082	2	NUT, FIBER INSERT #8-32
5	3400096	2	FLATWASHER, #8
6	3400103	5	LOCK WASHER, 1/4 HS MED
7	3400172	9	NUT, 10-32 ESN
8	3400204	1	SCREW, #10-32 X .625 PAN HD ZP
9	3400227	6	SCREW, 1/4-20 X 1.25 HH ZP
10	3401021	3	NUT, LOW HEIGHT 1/4-20 ESN
11	710204	4	SCREW, #6-32 X .500 PAN HD ZP
12	710556	6	SCREW, FHMS, 10-32 X .75 ZP
13	711206	3	BLT - HH 1/4-20 X .87 STL ZINC
14	711371	4	NUT, #6-32 ESN ZP
15	711373	9	NUT, FIBER INSERT 1/4-20
16	711542	2	WASHER, HELICAL, #8 ZP
17	711563	4	WING NUT, 1/4-20, NYLON
18	711903	7	RIVET, BLIND, .19 D X .126 - .250 GRIP ALU
19	712546	2	SCREW, #10-32 X 1.00 PAN HD ZP
20	713001	4	SCREW, 1/4-20 X .625 HHC
21	731125	-	PROP VALVE DRIVER (PART OF 731125-1)
22	731125-1	1	ASSEMBLY, PROPORTIONAL VALVE DRIVER
23	731191	1	PLATE, TIMER
24	731227	1	COVER, FUSE PANEL
25	731228	1	SEAL, FUSE COVER
26	731229	1	COVER, CONTROLLER
27	731230	1	SEAL, CONTROLLER
28	731231	1	COVER, TIMER
29	731232	1	SEAL, TIMER COVER
30	731233	2	STANDOFF, PANEL, #8-32 X 1.75
31	731234	2	STANDOFF, PANEL, 1/4-20 X 2.00
32	731236	2	STANDOFF, PANEL, 1/4-20 X 2.38
33	731258	7	MOUNT, CABLE TIE
34	742748	1	BOOT, CIRCUIT BREAKER
35	746006	1	CIRCUIT BREAKER, 3A (ATTACHED TO HARNESS)
36	748339	-	HANESS, WIRE ASSY (PART OF 748430-1)
37	748430	-	TIMER (PART OF 748430-1)
38	748430-1	6	ASSEMBLY, TIMER
39	748431	-	HARNESS, WIRE ASSY (PART OF 731125-1)
40	748904	1	CIRCUIT BREAKER, 40A
41	748961	2	RELAY, DPDT, 12VDC, 35A
42	90264672	1	RELAY, SPDT, 12VDC, 30A
43	90286238	3	TERMINAL BLOCK

**ELECTRICAL BOX GROUP - DIESEL (730156)**

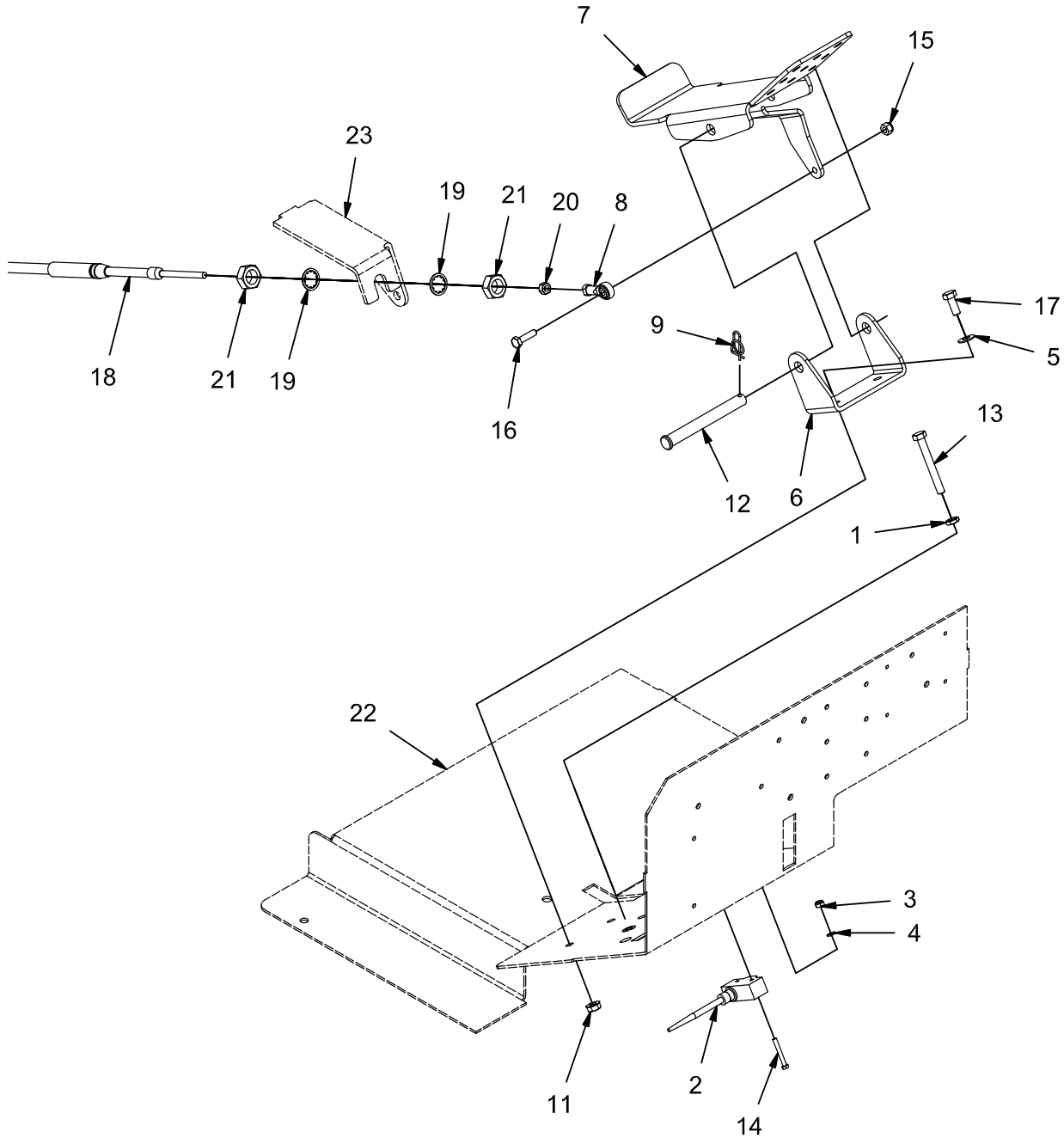


**REV A**

**ELECTRICAL BOX GROUP - DIESEL (730156)**

Parts List - 730156			
ITEM	PART NUMBER	QTY	DESCRIPTION
1	3342931	1	BOOT
2	3400103	2	LOCK WASHER, 1/4 HS MED
3	3400384	2	WASHER, 5/16 BELLEVILLE
4	600934	2	NUT, M8-1.25 FLNG
5	690042	1	BRACKET, DSL CNTL BOX
6	710330	4	SCR, 8-32 X 5/8 ZP STL
7	711203	1	BOLT, 1/4-20 X .625
8	711316	1	NUT, HEX 1/4-20 ZINC PL
9	717024	2	BOLT, M8-1.25 X 20 HH
10	730532	1	ANGLE, MOUNT
11	740132	1	PLASTIC INSULATOR
12	748769	1	DIESEL CNTL BOX
13	833638	1	1/4-20 STUD, BRASS
14	REF.	-	BOLT
15	REF.	-	DIESEL ENGINE
-	748909	1	STARTER CABLE
-	748950	1	WIRE ASSY, OIL PRESSURE SWITCH
-	748951	1	WIRE ASSY, WATER TEMP SWITCH

**DIRECTIONAL CONTROL GROUP (730110)**



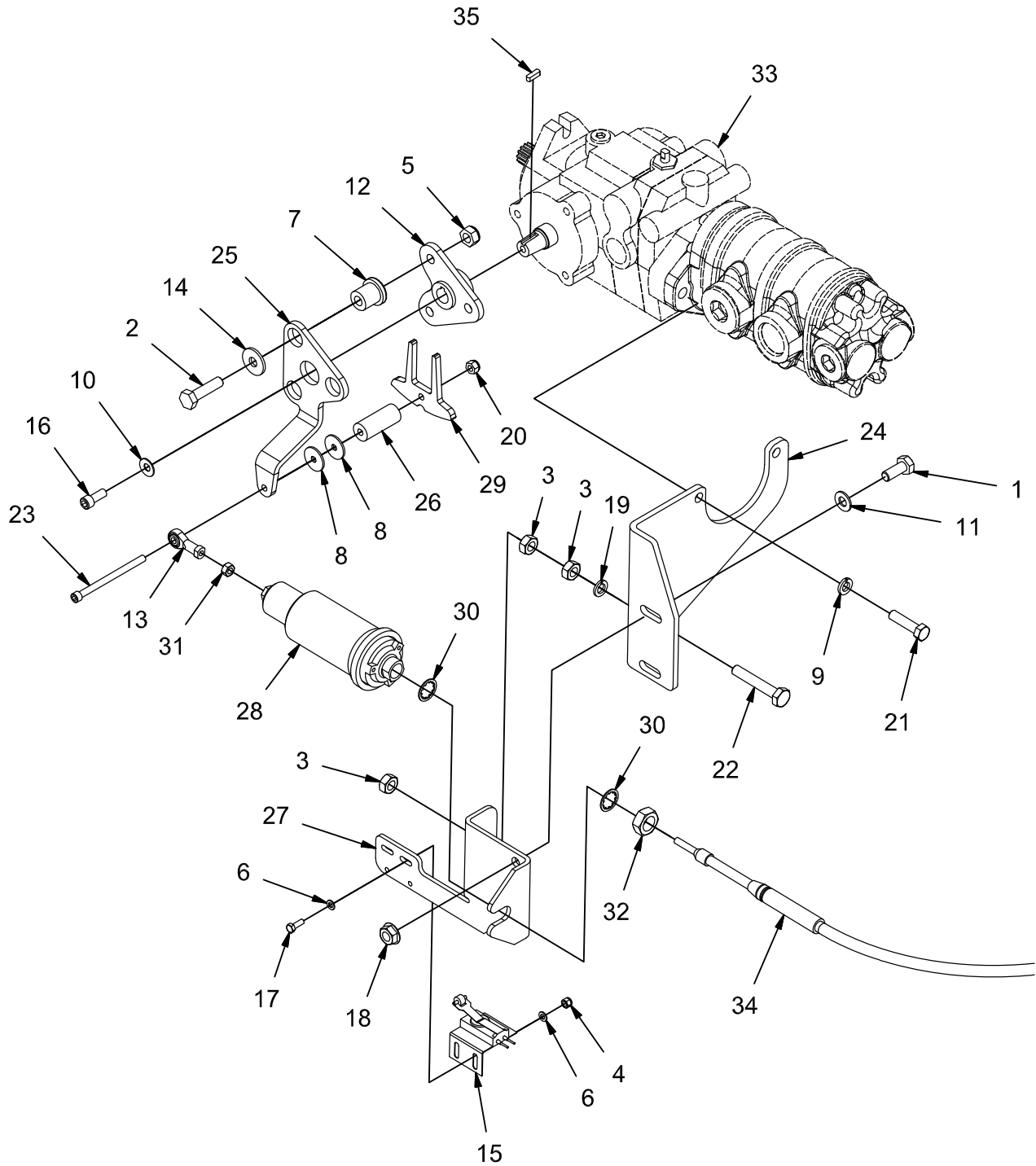
**REV C**



**DIRECTIONAL CONTROL GROUP (730110)**

Parts List 730110			
ITEM	PART NUMBER	QTY	DESCRIPTION
1	12012019	1	NUT, M8-1.25 JAM
2	3342546-1	1	HARNESS, SWITCH, WHISKER
3	3400082	2	NUT, FIBER INSERT #8-32
4	3400096	2	FLATWASHER, #8
5	3400384	2	WASHER, 5/16 BELLEVILLE
6	600134	1	BRACKET, F/R PEDAL
7	600135	1	PEDAL, F/R
8	600175	1	ROD END, FEM 1/4-28
9	600578	1	RUE-RING, .50
10	600851	1	M8-1.25 INSERT, .125 GRIP
11	600934	2	NUT, M8-1.25 FLNG
12	620027	1	PIN, CLEVIS 1/2 X 4.50
13	620033	1	BOLT, M8-1.25 X 65 HH
14	620136	2	BOLT, #8-32 X 1.25 HH ZP
15	711373	1	NUT, FIBER INSERT 1/4-20
16	713003	1	SCREW, 1/4-20 X 1.00 HH
17	717024	2	BOLT, M8-1.25 X 20 HH
18	730356	1	CABLE, JACKETED, 92.50 OAL
19	PART OF 730356	2	LOCK WASHER
20	PART OF 730356	1	NUT, 1/4-28
21	PART OF 730356	2	NUT, 5/8-18 JAM
22	REF	-	CONSOLE
23	REF.	-	FRAME

**PUMP LINKAGE GROUP (730111)**

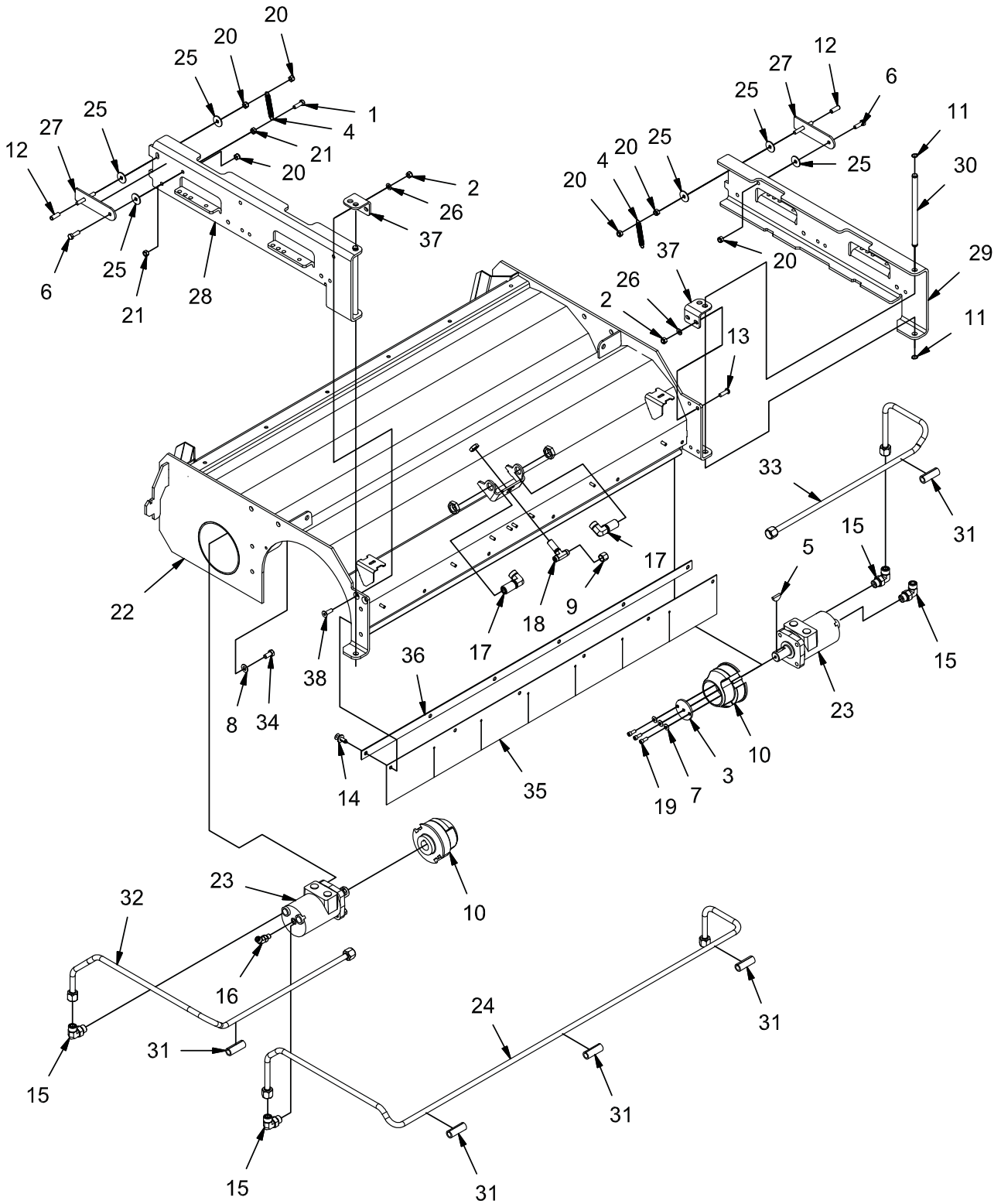


**REV D**

**PUMP LINKAGE GROUP (730111)**

Parts List 730111			
ITEM	PART NUMBER	QTY	DESCRIPTION
1	11038346	2	BOLT, M10-1.50 X 25 HH
2	11038395	3	BOLT, M10-1.50 X 40 HH
3	12022067	3	NUT, M10-1.50 HEX
4	12040036	2	NUT, M5 - 0.8 ESN
5	12040069	3	NUT, M10-1.50 ESN
6	12310025	4	WASHER, M5
7	3300465	3	ISOLATOR, VIB
8	3400090	2	WASHER, FENDER, 1/4 ZP
9	3400101	2	LOCK WASHER, 3/8 HS MED
10	3400384	1	WASHER, 5/16 BELLEVILLE
11	3400385	2	WASHER, 3/8, BELLEVILLE
12	600141	1	WELDMENT, DIR CONT HUB
13	600175	1	ROD END, FEM 1/4-28
14	600363	3	WASHER, ISOLATOR
15	600853-1	1	SWITCH, LIMIT, N.O.
16	600895	1	BOLT, 5/16-24 X .75 SHCS
17	600911	2	BOLT, M5-0.8 X 14 HH
18	600936	2	NUT, M10-1.50 FLNG
19	600945	1	LOCK WASHER, M10
20	711373	1	NUT, FIBER INSERT 1/4-20
21	713044	2	SCREW, 3/8-16 X 1.50 HHC
22	730481	1	BOLT, M10-1.50 X 60 HH ALL-THRD
23	730699	1	BOLT, 1/4-20 X 3.50 SOC HD CAP
24	730714	1	MOUNT, HYDROBACK
25	730715	1	ARM, DIR CONT
26	731108	1	SPACER, .266 B .750 OD 1.81 T
27	731109	1	ADJUSTER, HYDROBACK W/SW MNT
28	731181	1	HYDROBACK CENTERING UNIT, 10 LB
29	731238	1	CAM, NEUTRAL
30	PART OF CABLE ASSY	2	LOCK WASHER
31	PART OF CABLE ASSY	1	NUT, 1/4-28
32	PART OF CABLE ASSY	1	NUT, 5/8-18 JAM
33	REF.	-	PUMP, PROPULSION
34	REF.	-	CABLE, PUSH-PULL
35	WITH PUMP	1	KEY

**SCRUB HEAD GROUP (730112)**

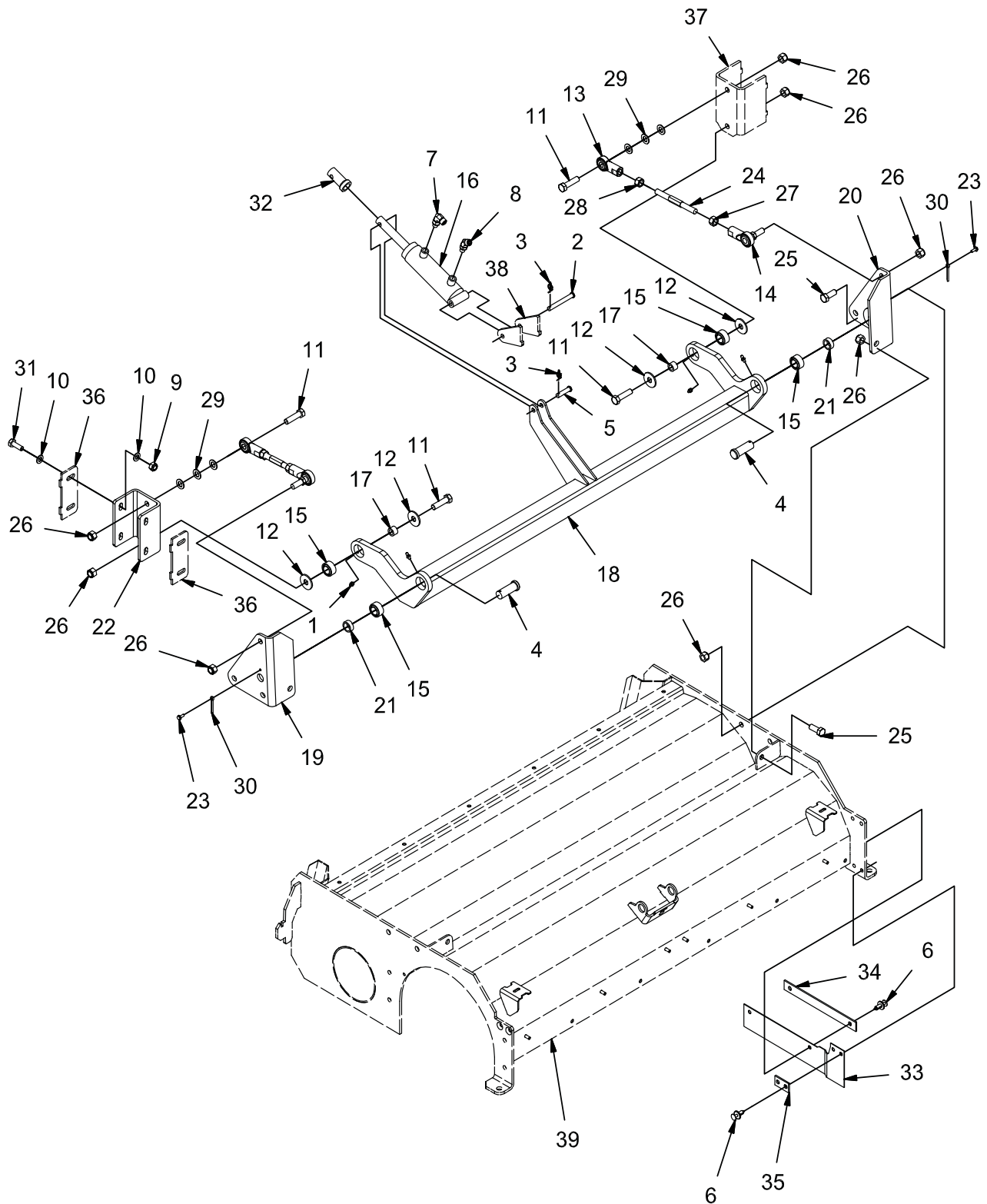


**REV F**

**SCRUB HEAD GROUP (730112)**

Parts List 730112			
ITEM	PART NUMBER	QTY	DESCRIPTION
1	11039567	1	BOLT, M8-1.25 X 25 HH SS
2	12040259	4	NUT, M8-1.25 ESN SS
3	3301285	2	RETAINER, MAIN BROOM DRIVE HUB
4	3304160	2	SPRING, EXT
5	3330338	2	KEY, WOODRUFF .25 X .50
6	3400318	2	BOLT, 5/16-18 X 1.00 HH SS
7	3400383	6	WASHER, 1/4 BELLEVILLE
8	3400385	8	WASHER, 3/8, BELLEVILLE
9	675605	1	FITTING, CAP -4 ORFS
10	600337	2	HUB, MAIN BROOM DRIVE
11	600569	4	RETAINING RING, EXT .50 HD
12	600910	2	CAP
13	600917	2	SCREW, M8-1.25 X 25 BUTTON HD CAP SS
14	600965	6	FASTENER, PRESS-IN
15	675523	4	FITTING, 90, -8 ORFS - 8 SAE
16	675541	1	FITTING, 45, 4 ORFS - 4 SAE
17	675544	2	FITTING, 90, BULKHEAD 8 ORFS - 8 ORFS
18	675607	1	FITTING, BULKHEAD TEE - 4 ORFS - 4 ORFS
19	712331	6	BOLT, 1/4-20 X .625 SHCS SS
20	712683	6	NUT, 5/16-18 ESN SS
21	717029	2	NUT, M8-1.25 SS
22	730325	1	WELDMENT, SCRUB HEAD
23	730343	2	MOTOR, 4.5 DISP
24	730348	1	ASSEMBLY, CROSS TUBE
25	730526	6	WASHER, M8 FENDER SS
26	730609	4	WASHER, M8 SS
27	730622	2	WELDMENT, DOOR LATCH
28	730626	1	SQU MNT CHANNEL, RH
29	730627	1	SQU MNT CHANNEL, LH
30	730642	2	SHAFT, .50 D X 8.00 L
31	730685	5	GUARD, HOSE
32	730775	1	ASSEMBLY, RH MOTOR TUBE
33	730776	1	ASSEMBLY, LH MOTOR TUBE
34	730959	8	SCREW, 3/8-16 X .750 HHC SS
35	730982	1	SKIRT, SCRUB HEAD
36	730983	1	STRAP, RETAINER
37	731131	2	HINGE, ADJ
38	731139	2	SCREW, M8-1.25 X 25 FHCS SS

**SCRUB BRUSH LIFT GROUP (730113)**

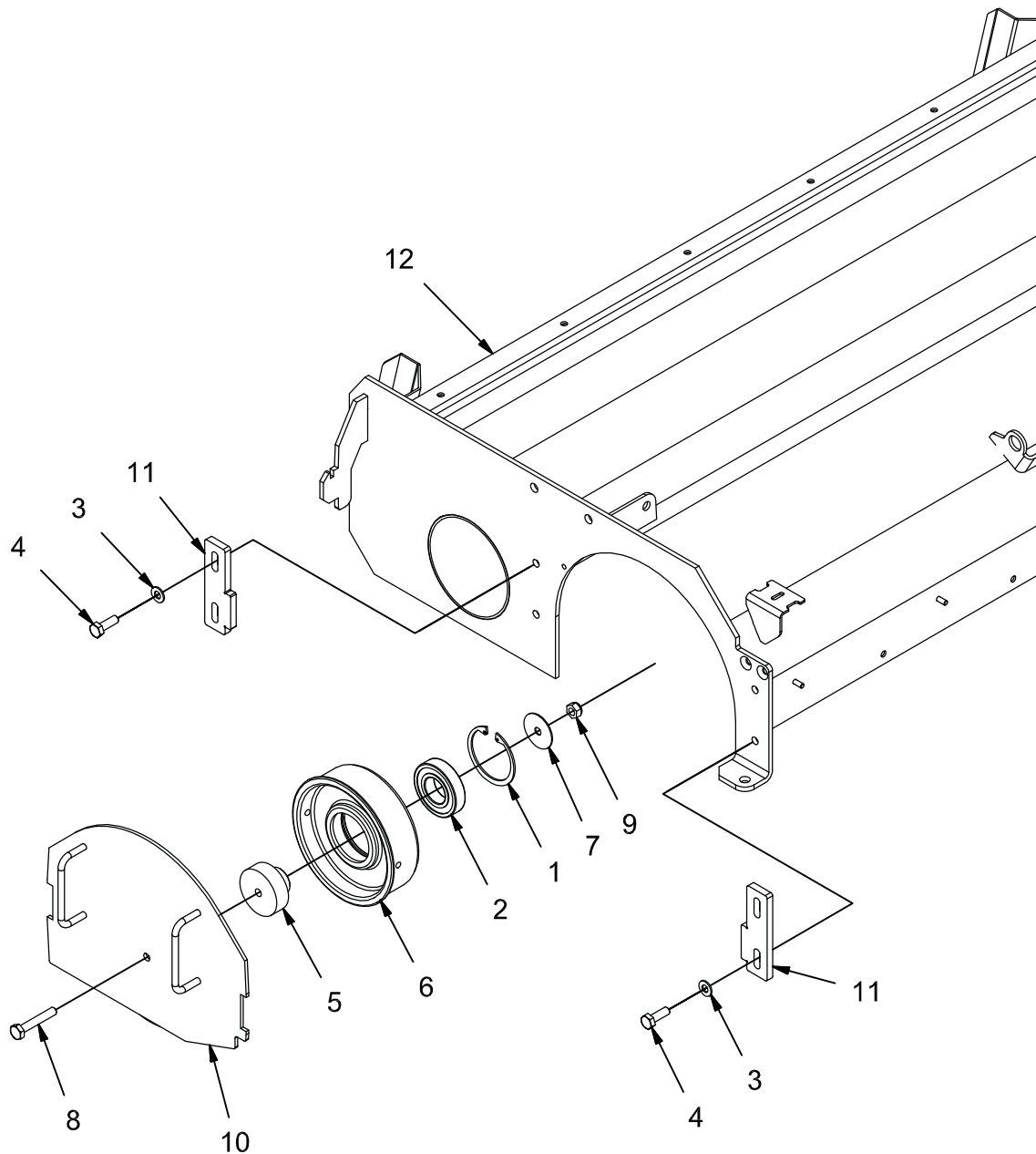


**REV B**

**SCRUB BRUSH LIFT GROUP (730113)**

Parts List 730113			
ITEM	PART NUMBER	QTY	DESCRIPTION
1	3400012	4	GREASE ZIRK
2	3400115	1	PIN, CLEVIS, .375 X 3.00
3	3400125	2	RUE-RING, .375
4	3400439	2	CLEVIS PIN, .75 X 2.00
5	600573	1	PIN, CLEVIS, 3/8 X 1.50
6	600965	4	FASTENER, PRESS-IN
7	675507	1	FITTING, 90, -4 ORFS - 4 SAE
8	675541	1	FITTING, 45, 4 ORFS - 4 SAE
9	730339	4	NUT, M10-1.50 ESN SS
10	730344	8	WASHER, M10 SS
11	730516	4	BOLT, M12-1.75 X 45 HH SS
12	730528	4	WASHER, .512 B 1.46 OD .118 T SS
13	730544	2	ROD END, FEM, M12-1.75
14	730545	2	ROD END, FEM, M12-1.75 LH THRD W/STUD
15	730547	4	BEARING, SPHERICAL
16	730548	1	CYLINDER, HYD, 1.5 B X 2.88 STK
17	730549	2	SPACER, .484 B .746 OD .500 T
18	730590	1	WELDMENT, SH LIFT ARM
19	730594	1	WELDMENT, SH LIFT BRACKET RH
20	730597	1	WELDMENT, SH LIFT BRACKET, LH
21	730599	2	SPACER, .760 B 1.00 OD .375 T
22	730600	1	CHANNEL, SH ADJ MNT
23	730601	2	SCREW, #10-32 x .50 SELF TAPPING SS
24	730603	2	ROD, ADJ
25	730604	6	BOLT, M12-1.75 X 30 HH SS
26	730605	12	NUT, M12-1.75 ESN SS
27	730606	2	NUT, M12-1.75 LH THRD SS
28	730607	2	NUT, M12-1.75 HEX SS
29	730608	6	WASHER, M12 SS
30	730610	2	PIN, COTTER, .156 X 1.25 SS
31	730878	4	BOLT, M10-1.50 X 30 HH SS
32	731194	1	TUBE, STOP
33	731362	1	SKIRT, SIDE
34	731363	1	SKIRT RETAINER, REAR
35	731364	1	SKIRT RETAINER, FRONT
36	REF.	-	FRAME
37	REF.	-	FRAME
38	REF.	-	FRAME
39	REF.	-	SCRUB HEAD

**SCRUB BRUSH IDLER GROUP (730114)**



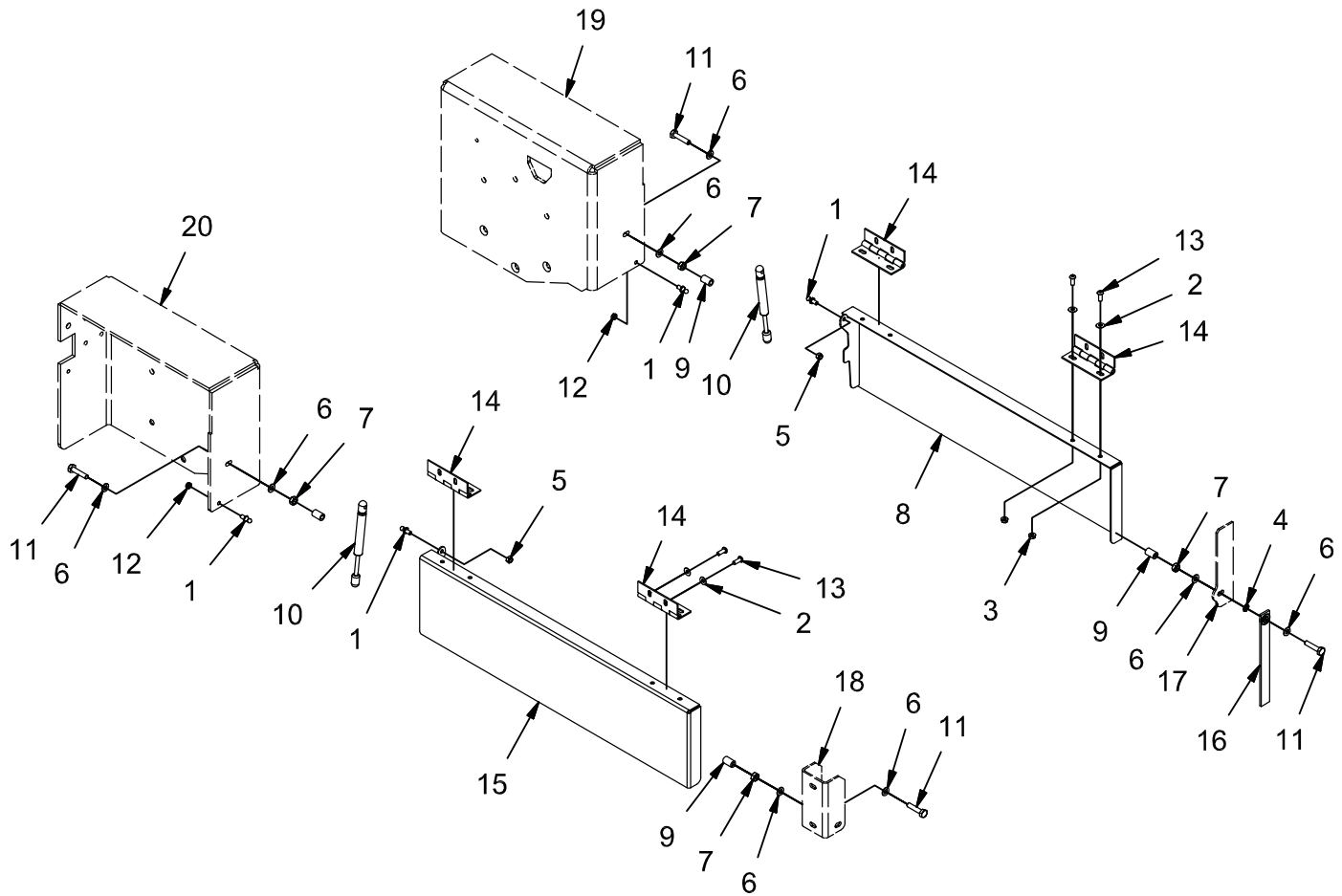
**REV C**



**SCRUB BRUSH IDLER GROUP (730114)**

Parts List 730114			
ITEM	PART NUMBER	QTY	DESCRIPTION
1	3305666	2	RING, RETAINING, INT
2	3305667	2	BEARING, BALL, 207PP
3	3400385	8	WASHER, 3/8, BELLEVILLE
4	730878	8	BOLT, M10-1.50 X 30 HH SS
5	600544	2	MOUNT, BEARING
6	620083	2	IDLER, MAIN BROOM
7	712768	2	WSR-FLT .406 X 1.875 SS
8	730323	2	BOLT, M10-1.50 X 60 HH SS
9	730339	2	NUT, M10-1.50 ESN SS
10	730341	2	WELDMENT, BRUSH RETAINER
11	730613	4	PLT, ADJ
12	REF.	-	SCRUB HEAD

**BRUSH DOOR GROUP (730115)**

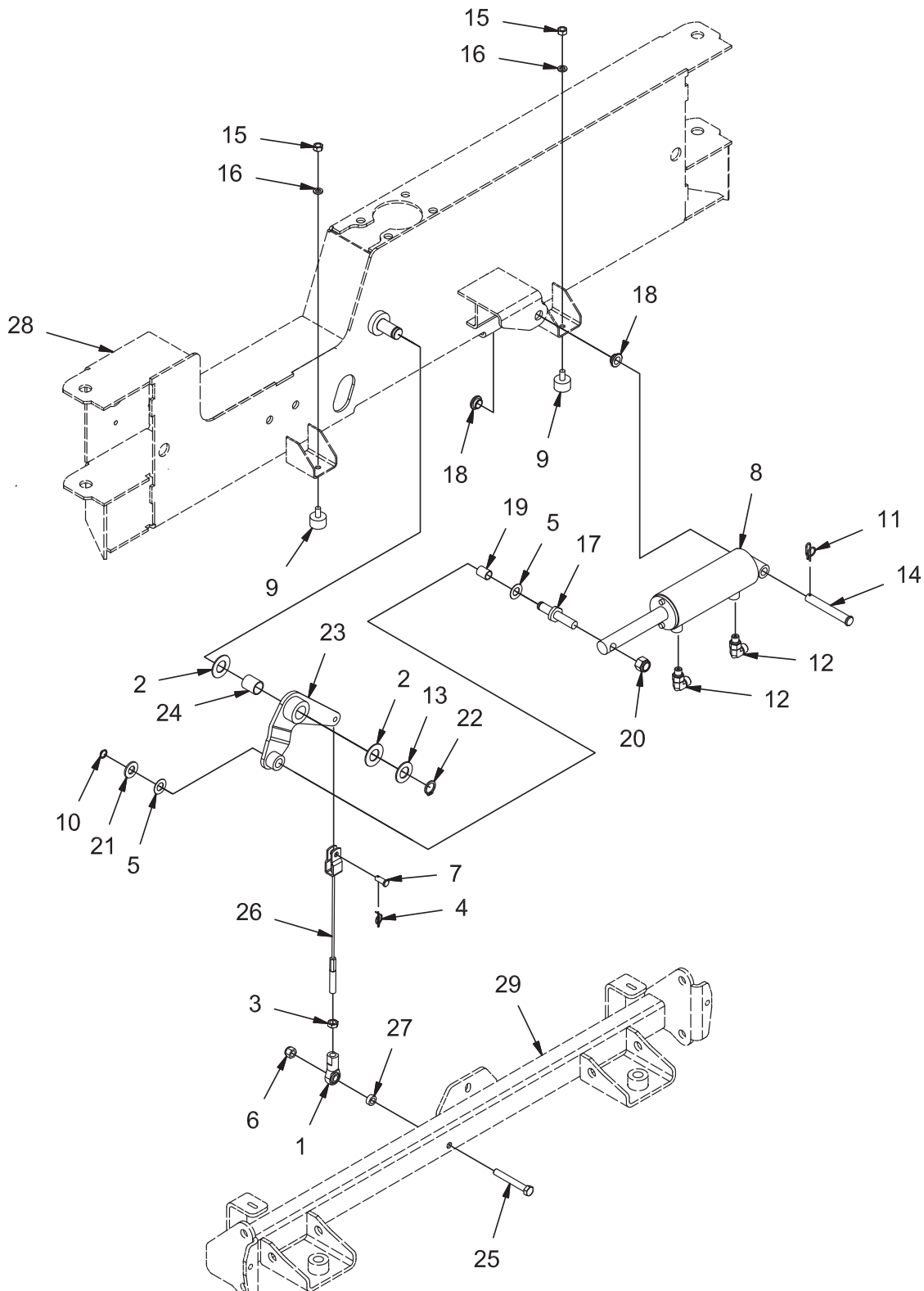


**REV A**

**BRUSH DOOR GROUP (730115)**

Parts List 730115			
ITEM	PART NUMBER	QTY	DESCRIPTION
1	3300376	4	STUD, 10MM BALL
2	3400384	16	WASHER, 5/16 BELLEVILLE
3	600934	8	NUT, M8-1.25 FLNG
4	600946	1	LOCK WASHER, 3/8 INT STAR
5	712683	2	NUT, 5/16-18 ESN SS
6	730344	8	WASHER, M10 SS
7	730718	4	NUT, M10-1.50 HEX SS
8	730900	1	WELDMENT, LH BRUSH DOOR
9	730901	4	TUBING, STOP
10	730902	2	GAS STRUT, 8.77 EXT, 3.00 STK, 200N
11	730903	4	BOLT, M10-1.50 X 45 HH SS
12	730904	2	NUT, 5/16-18 HEX JAM SS
13	730905	16	SCREW, M8-1.25 X 20 BUTTON HD CAP SS
14	730906	4	HINGE, 5"
15	730951	1	WELDMENT, RH BRUSH DOOR
16	730979-1	1	STRAP, STATIC
17	REF.	-	FRAME
18	REF.	-	FRAME
19	REF.	-	FRAME
20	REF.	-	FRAME

**SQUEEGEE LIFT GROUP (770100)**

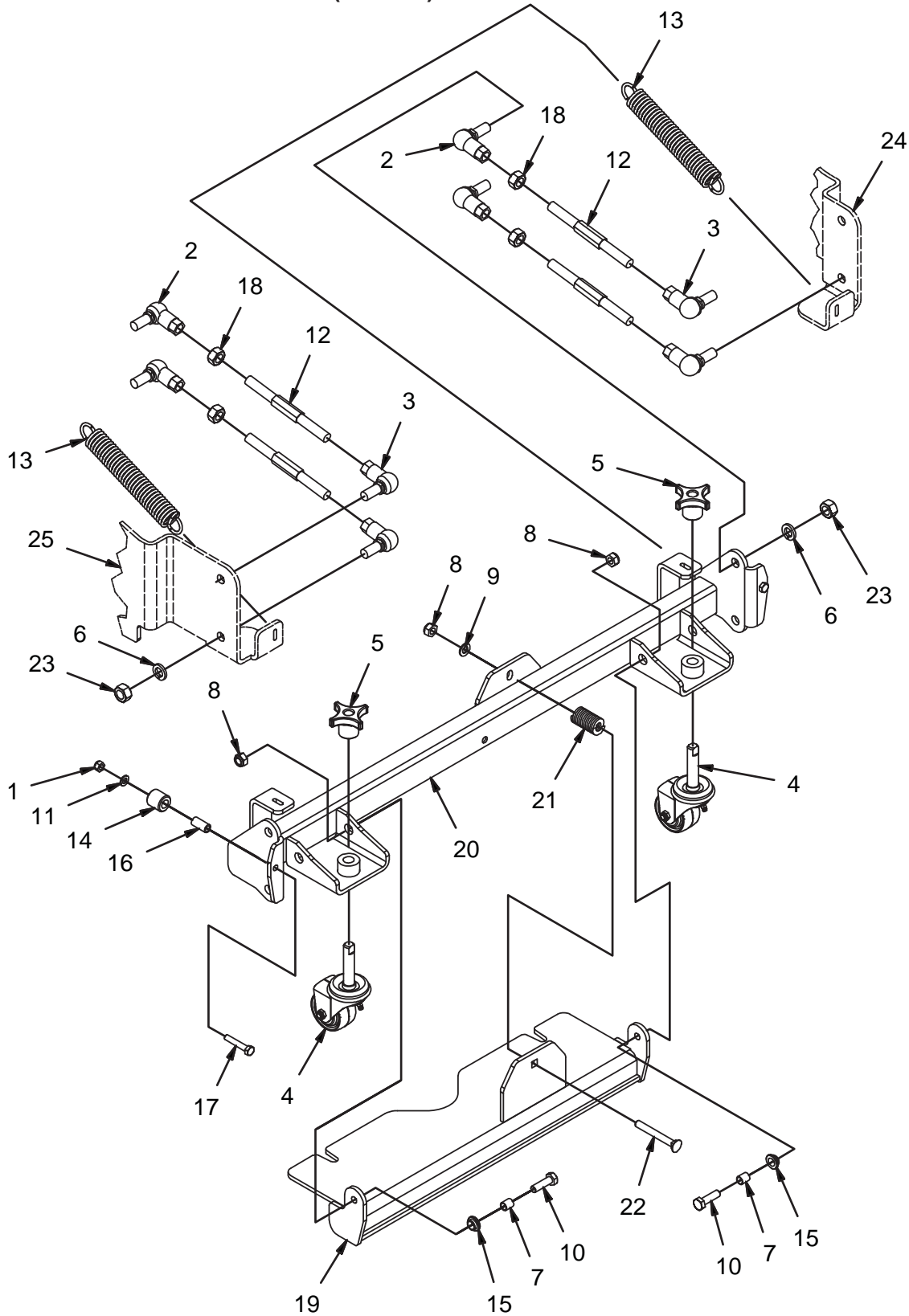


REV \*

**SQUEEGEE LIFT GROUP (770100)**

Parts List 770100			
ITEM	PART NUMBER	QTY	DESCRIPTION
1	3308762	1	ROD END, 3/8 FEM
2	3313161	2	WASHER, THRUST, .78 B 1.50 OD .063 T
3	3400075	1	NUT, HEX JAM 3/8-24
4	3400125	1	RUE-RING, .375
5	3400178	2	WASHER, THRUST, .53 B 1.00 OD .03 T
6	3400340	1	NUT, 3/8-16 ESN SS
7	450034	1	PIN, CLEVIS, .313 X .75
8	600106	1	CYLINDER, HOPPER DOOR
9	600220	2	BUMPER, 1.00 X .625 T
10	600569	1	RETAINING RING, EXT .50 HD
11	600578	1	RUE-RING, .50
12	675507	2	FITTING, 90, -4 ORFS - 4 SAE
13	711512	1	WASHER, .75 X 1.37 X .08 ZP
14	712098	1	PIN, CLEVIS 1/2 X 3.50
15	712680	2	NUT, HEX 5/16-18 SS
16	730527	2	LOCK WASHER, M8, SS
17	730741	1	PIN, SQU LIFT
18	730750	2	BUSHING, BRONZE, FLANGED. .50 B .62 OD .31 T
19	730752	1	FIBERGLIDE BEARING, .500 ID .750 T
20	730756	1	NUT, 1/2-13 ESN, SS
21	730759	1	WASHER, 1/2, SS
22	730877	1	RETAINING RING, EXT, .750
23	770325	1	WELDMENT, BELLCRANK
24	770328	1	BEARING, FIBERGLIDE .75 ID 1.00 T
25	770330	1	BOLT, 3/8-16 X 2.75 HH SS
26	770332	1	CABLE ASSEMBLY
27	770333	1	SPACER, .380 B .625 OD .250 T
28	REF.	-	REAR BUMPER
29	REF.	-	SQUEEGEE RAIL

**SQUEEGEE LINKAGE GROUP (770101)**

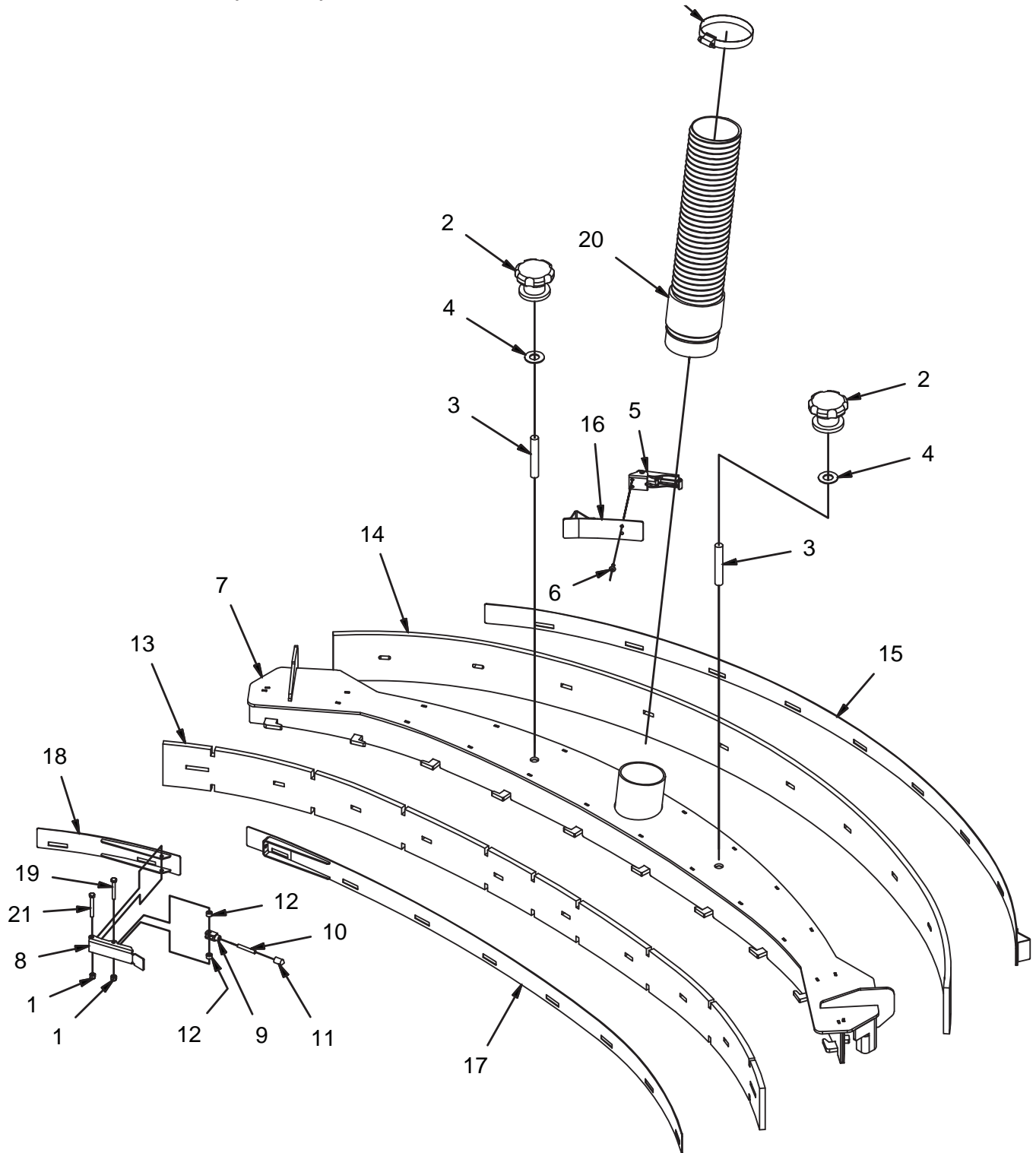


REV \*

**SQUEEGEE LINKAGE GROUP (770101)**

Parts List 770101			
ITEM	PART NUMBER	QTY	DESCRIPTION
1	12040259	2	NUT, M8-1.25 ESN SS
2	16046054	4	ROD END, M14 RH THRDS
3	16046062	4	ROD END, M14 LH THRDS
4	3343816	2	CASTER
5	3343819	2	KNOB
6	3400414	8	LOCK WASHER, 9/16 HS MED
7	600525	2	SPACER, .406 B .50 OD .57 T
8	730339	3	NUT, M10-1.50 ESN SS
9	730344	1	WASHER, M10 SS
10	730345	2	BOLT, M10-1.50 X 35 HH SS
11	730609	2	WASHER, M8 SS
12	730662	4	ROD, SQUEEGEE
13	730742	2	SPRING, EXT, .160 W 1.25 OD 10.25 L SS
14	730744	2	ROLLER, SQU
15	730750	2	BUSHING, BRONZE, FLANGED. .50 B .62 OD .31 T
16	730751	2	SPACER, .344 B .500 OD 1.06 T
17	730754	2	BOLT, M8-1.25 X 45 HH SS
18	731176	4	NUT, M14-1.50 HEX SS
19	770313	1	WELDMENT, SQU MNT
20	770318	1	WELDMENT, SQU RAIL
21	770331	1	SPRING, 1.00 OD, .50 ROD ID, 2.00L
22	770329	1	CARRIAGE BOLT, M10-1.5 X 80 SS
23	PART OF ROD END	8	NUT, M14-1.50 HEX SS
24	REF.	-	LIFT ARM
25	REF.	-	LIFT ARM

**SQUEEGEE GROUP (730118)**



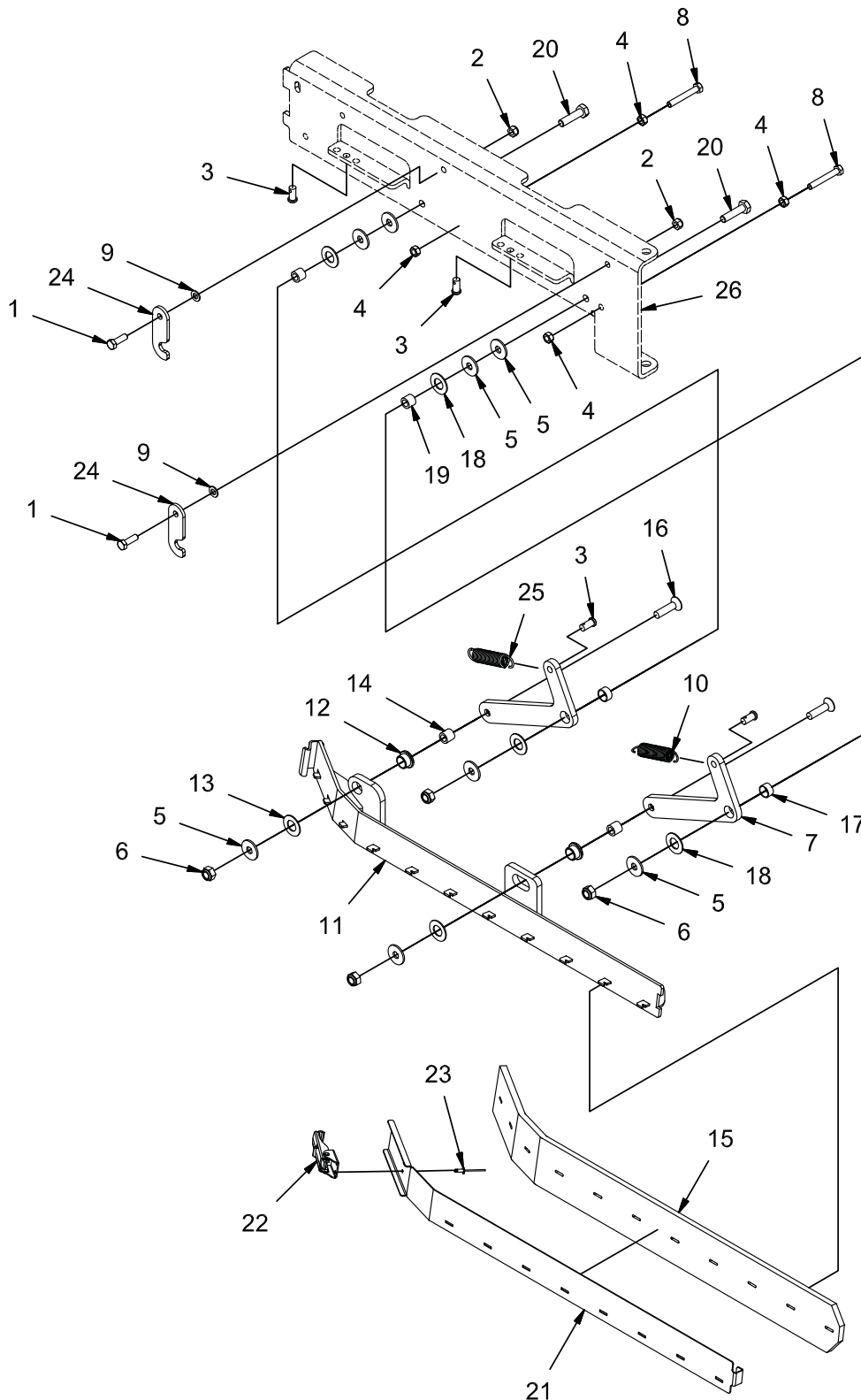
REV E



**SQUEEGEE GROUP (730118)**

Parts List 730118			
ITEM	PART NUMBER	QTY	DESCRIPTION
1	12040283	2	NUT, M5 - 0.8 ESN SS
2	3343814	2	KNOB
3	3343903	2	STUD, 1/2-13 X 3.00 SS
4	3401543	2	WASHER, TOOTHED PERIPHERY
5	730652	1	LATCH, UNDER CENTER
6	730654	2	RIVET,BLIND, .156 D X .062 - .125 GRIP SS
7	730764	1	WELDMENT, SQUEEGEE
8	730780	1	LATCH, BODY
9	730781	1	CLEVIS, M5-0.8
10	730782	1	ROD, M5-0.8
11	730783	1	ROD, NOSE
12	730784	2	SPACER, .203 B .375 OD .210 T
13	730787	1	SQUEEGEE BLADE, FRONT
14	730788	1	SQUEEGEE BLADE, REAR
15	730791	1	WELDMENT, REAR RETAINER
16	730796	1	WELDMENT, REAR RETAINER, SHORT
17	730798	1	WELDMENT, FRONT RETAINER
18	730800	1	WELDMENT, FRONT RETAINER, SHORT
19	730802	1	BOLT, M5-0.8 X 35 HH SS
20	730985	1	ASSEMBLY, LOWER SQU HOSE
21	731130	1	BOLT, M5-0.8 X 40 HH SS
22	731144	1	CLAMP, HOSE, 2.25 - 3.25

**SIDE SQUEEGEE GROUP - RH (730120)**

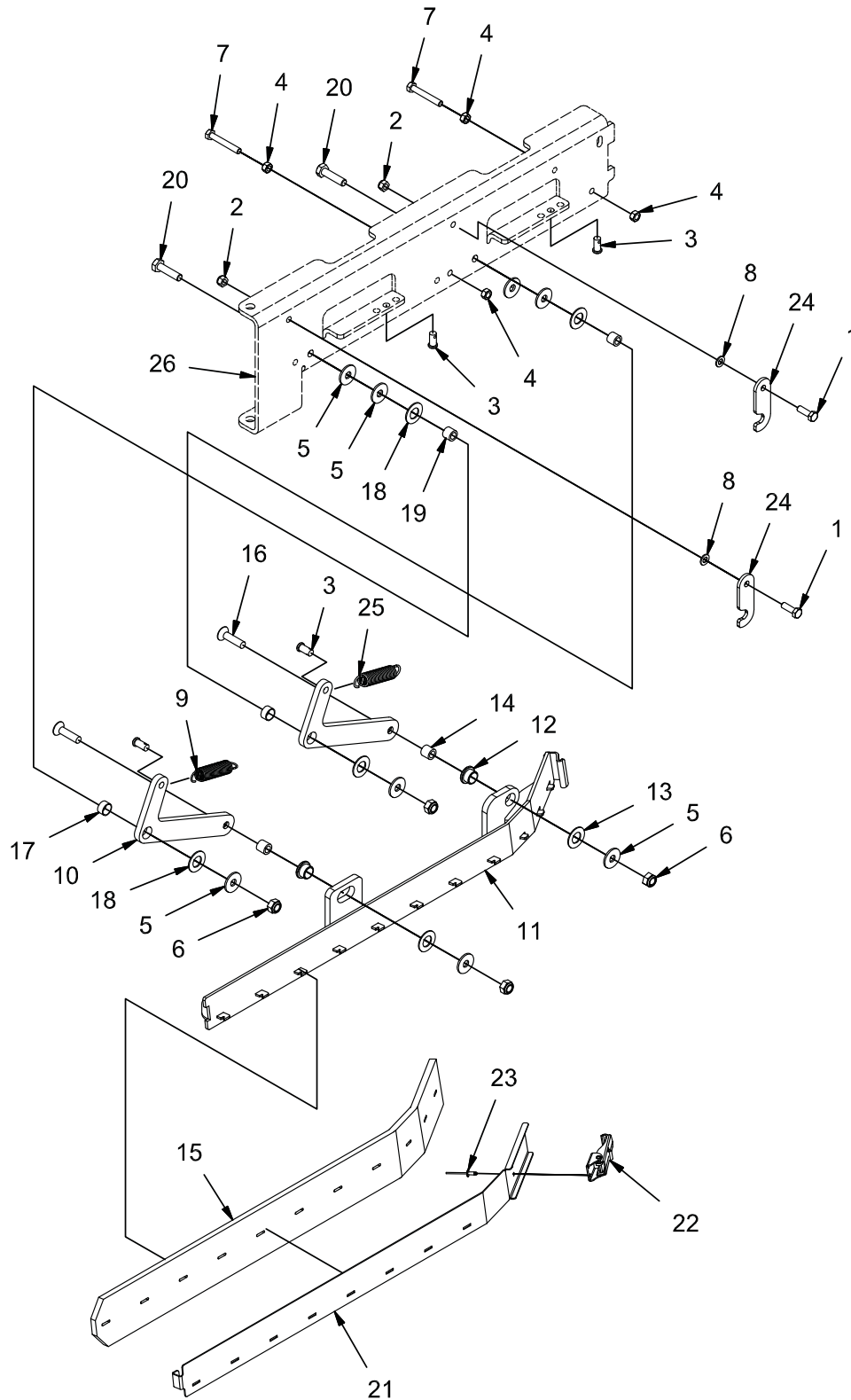


**REV B**

**SIDE SQUEEGEE GROUP - RH (730120)**

Parts List 730120			
ITEM	PART NUMBER	QTY	DESCRIPTION
1	11039567	2	BOLT, M8-1.25 X 25 HH SS
2	12040259	2	NUT, M8-1.25 ESN SS
3	711679	4	PIN, CLEVIS, .375 X .75
4	717029	4	NUT, M8-1.25 SS
5	717040	8	WASHER, FENDER, .413 B 1.18 OD .098 T SS
6	730339	4	NUT, M10-1.50 ESN SS
7	730346	2	ARM, SIDE SQU, RH
8	730507	2	BOLT, M8-1.25 X 55 HH SS
9	730609	2	WASHER, M8 SS
10	730619	1	SPRING, EXT, .07 W .75 OD 3.50 L SS
11	730630	1	WELDMENT, SQU MNT, RH
12	730640	2	BUSHING, BRONZE FLANGED, .62 B .75 OD .50T
13	730641	2	WASHER, BACKED THRUST .66 B 1.25 OD .06 T
14	730643	2	SPACER, .406 B .623 OD .570 T SS
15	730644	1	SQUEEGEE, SIDE
16	730645	2	SCREW, M10-1.50 X 40 FLAT HD SOC HD SS
17	730646	2	BEARING, DU, .63 B .72 OD .38 T
18	730647	4	WASHER, THRUST, .66 B 1.25 OD .06 T
19	730648	2	SPACER, .406 B .624 OD .515 T SS
20	730649	2	BOLT, M10-1.50 X 40 HH SS
21	730650	1	STRAP, RH SQU
22	730652	1	LATCH, UNDER CENTER
23	730654	2	RIVET, BLIND, .156 D X .062 - .125 GRIP SS
24	730990	2	LATCH, DOUBLE SCRUB
25	731183	1	SPRING, EXT, .09 W .75 OD 3.50 L SS
26	REF	-	SQU MNT CHANNEL, RH

**SIDE SQUEEGEE GROUP - LH (730157)**

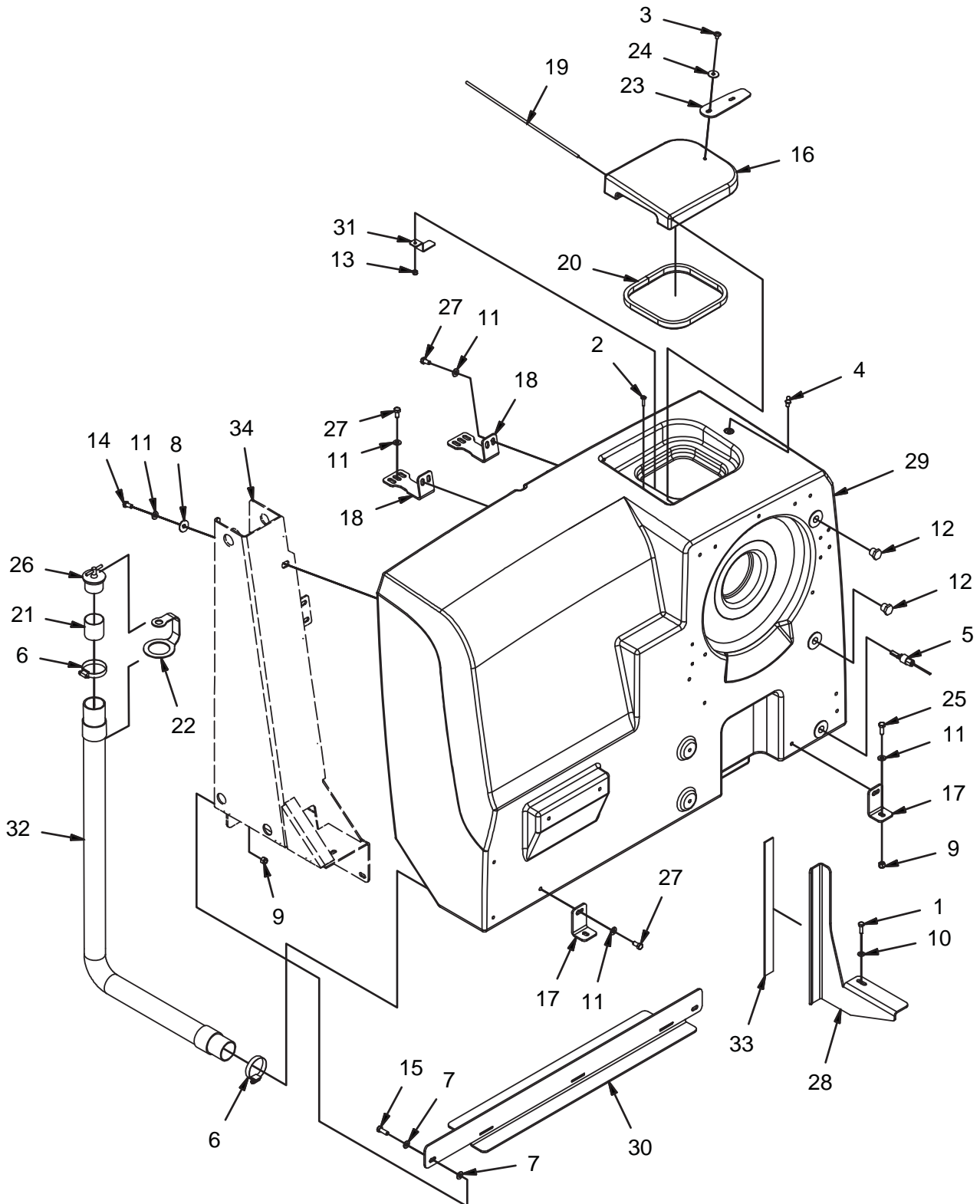


**REV B**

**SIDE SQUEEGEE GROUP - LH (730157)**

Parts List 730157			
ITEM	PART NUMBER	QTY	DESCRIPTION
1	11039567	2	BOLT, M8-1.25 X 25 HH SS
2	12040259	2	NUT, M8-1.25 ESN SS
3	711679	4	PIN, CLEVIS, .375 X .75
4	717029	4	NUT, M8-1.25 SS
5	717040	8	WASHER, FENDER, .413 B 1.18 OD .098 T SS
6	730339	4	NUT, M10-1.50 ESN SS
7	730507	2	BOLT, M8-1.25 X 55 HH SS
8	730609	2	WASHER, M8 SS
9	730619	1	SPRING, EXT, .07 W .75 OD 3.50 L SS
10	730620	2	ARM, SIDE SQU, LH
11	730637	1	WELDMENT, SQU MNT, LH
12	730640	2	BUSHING, BRONZE FLANGED, .62 B .75 OD .50T
13	730641	2	WASHER, BACKED THRUST .66 B 1.25 OD .06 T
14	730643	2	SPACER, .406 B .623 OD .570 T SS
15	730644	1	SQUEEGEE, SIDE
16	730645	2	SCREW, M10-1.50 X 40 FLAT HD SOC HD SS
17	730646	2	BEARING, DU, .63 B .72 OD .38 T
18	730647	4	WASHER, THRUST, .66 B 1.25 OD .06 T
19	730648	2	SPACER, .406 B .624 OD .515 T SS
20	730649	2	BOLT, M10-1.50 X 40 HH SS
21	730651	1	STRAP, LH SQU
22	730652	1	LATCH, UNDER CENTER
23	730654	2	RIVET,BLIND, .156 D X .062 - .125 GRIP SS
24	730990	2	LATCH, DOUBLE SCRUB
25	731183	1	SPRING, EXT, .09 W .75 OD 3.50 L SS
26	REF	-	SQU MNT CHANNEL, LH

**SOLUTION TANK GROUP (770104)**

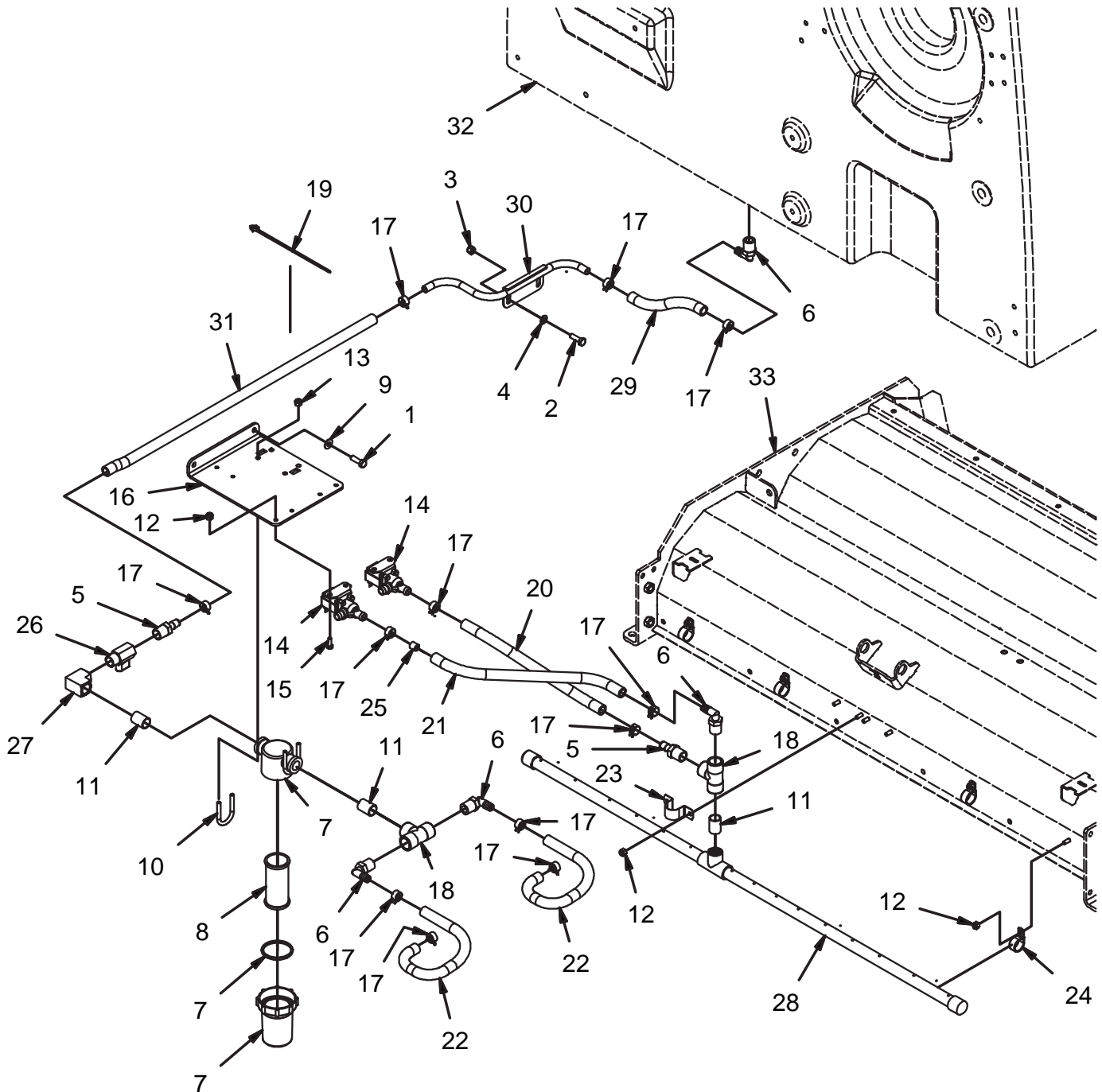


**REV A**

**SOLUTION TANK GROUP (770104)**

Parts List 770104			
ITEM	PART NUMBER	QTY	DESCRIPTION
1	11038247	1	BLT-HH M8-1.25 X 25 STL ZINC
2	11177161	1	SCREW, M6-1.00 X 25 BUTTON HD CAP W/FLANGE SS
3	11177253	1	SC BHCS W/ FLANGE M8-1.25 X 12 SS
4	3300376	1	STUD, 10MM BALL
5	3302737-1	1	WIRE ASSY, SWITCH - LEVEL LS7
6	3312189	2	CLAMP, HOSE, 2.00
7	3400087	4	WASHER, 3/8
8	3400278	2	WASHER, FENDER, 3/8
9	3400340	4	NUT, 3/8-16 ESN SS
10	3400384	1	WASHER, 5/16 BELLEVILLE
11	3400385	10	WASHER, 3/8, BELLEVILLE
12	500122	2	1/2 NPT PLASTIC PLUG
13	600933	1	NUT, M6-1.00 ESN SS
14	713041	2	SCREW, 3/8-16 X .750 HHC
15	713042	2	SCREW, 3/8-16 X 1.000 HHC
16	730480	1	COVER, ACCESS, SOL TANK
17	730491	2	BRACKET, TANK MNT
18	730492	2	BRACKET, TANK MNT
19	730493	1	ROD, SOL COVER
20	730494	1	SEAL, SOL COVER
21	730518	1	TUBE, SS
22	730520	1	LANYARD, CAP
23	730525	1	RETAINER, COVER
24	730526	1	WASHER, M8 FENDER SS
25	730529	2	SCREW, 3/8-16 X 1.00 HH SS
26	730531	1	PLUG, EXPANSION, 1.88
27	730959	6	SCREW, 3/8-16 X .750 HHC SS
28	731273-1	1	BRACKET, SUPPORT
29	770378	1	TANK, SOLUTION, HD
30	770447	1	WELDMENT, TANK SUPPORT
31	770460	1	INDICATOR, FULL TANK
32	770461	1	ASSEMBLY, SOL DRAIN HOSE
33	PART OF 731273-1	1	FRICITION STRIP 281470-1
34	REF.	-	WELDMENT, RH PILLAR

**SOLUTION CONTROL GROUP (770114)**



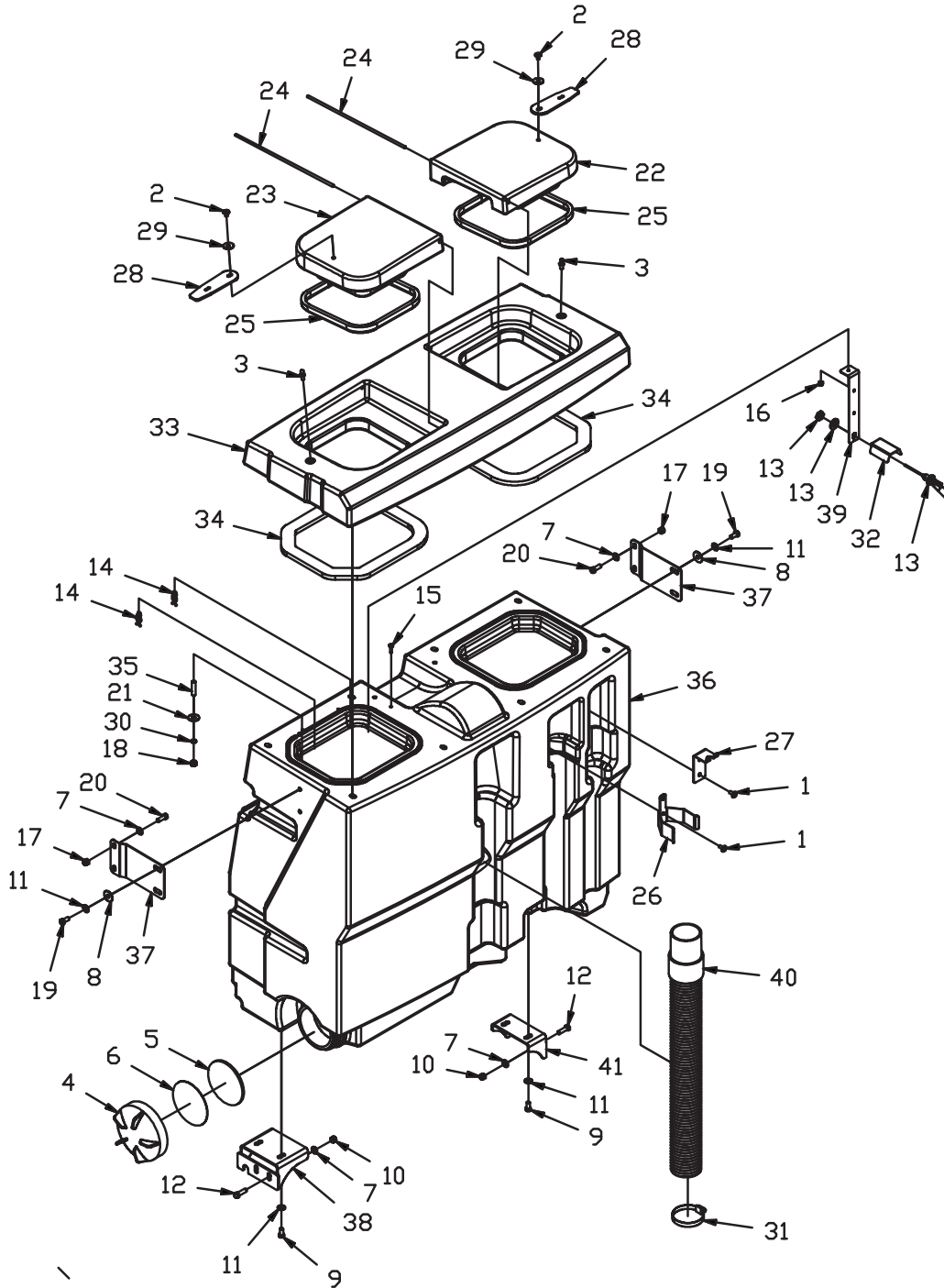
**REV A**



**SOLUTION CONTROL GROUP (770114)**

Parts List 770114			
ITEM	PART NUMBER	QTY	DESCRIPTION
1	11038247	2	BLT-HH M8-1.25 X 25 STL ZINC
2	11039567	2	BOLT, M8-1.25 X 25 HH SS
3	12040259	2	NUT, M8-1.25 ESN SS
4	12310041	2	WASHER, M8
5	3315534	2	FITTING, PLASTIC, STR, .50 NPT .50 BARB
6	3315535	4	FITTING, PLASTIC, 90, .50 NPT .50 BARB
7	3323501	1	FILTER ASSEMBLY
8	3332264	1	FILTER ELEMENT - SERVICE
9	3400384	2	WASHER, 5/16 BELLEVILLE
10	3401981	2	CLAMP
11	383465	3	1/2 NPT CLOSE PIPE NIPPLE, BRASS
12	600933	10	NUT, M6-1.00 ESN SS
13	712667	4	NUT, FIBER INSERT 1/4-20 SS
14	730899	2	VALVE, SOLENOID, 12-V W/.406 DIA. ORIFICE
15	730934	4	BOLT, M6-1.00 X 16 HH SS
16	730955	1	BRACKET, FILTER MNT
17	730962	12	CLAMP, WIRE HOSE
18	730966	2	FITTING, PVC TEE, FEMALE 1/2 NPT
19	730968	4	TIE, MOUNTED CABLE
20	730971	1	TUBING, .50 ID X 18.50 VINYL
21	730972	1	TUBING, .50 ID X 20.75 VINYL
22	730973	2	TUBING, .50 ID X 14.00 VINYL
23	730974	1	CLAMP, CONDUIT, 1"
24	731218	4	CLAMP, .88 HOSE
25	731244	1	ORIFICE, SOLUTION
26	731378	1	BALL VALVE, 1/2" NPT, BRASS
27	731380	1	FITTING, ELBOW, 1/2" FNPT, BRASS
28	731389	1	SOLUTION DELIVERY BAR
29	770524	1	TUBING, .50 ID X 6.75 VINYL
30	770525	1	WELDMENT, SOLUTION TUBE
31	770529	1	TUBING, .50 ID X 28.00 VINYL
32	REF.	-	SOLUTION TANK
33	REF.	-	SCRUB HEAD

**RECOVERY TANK GROUP (770102)**

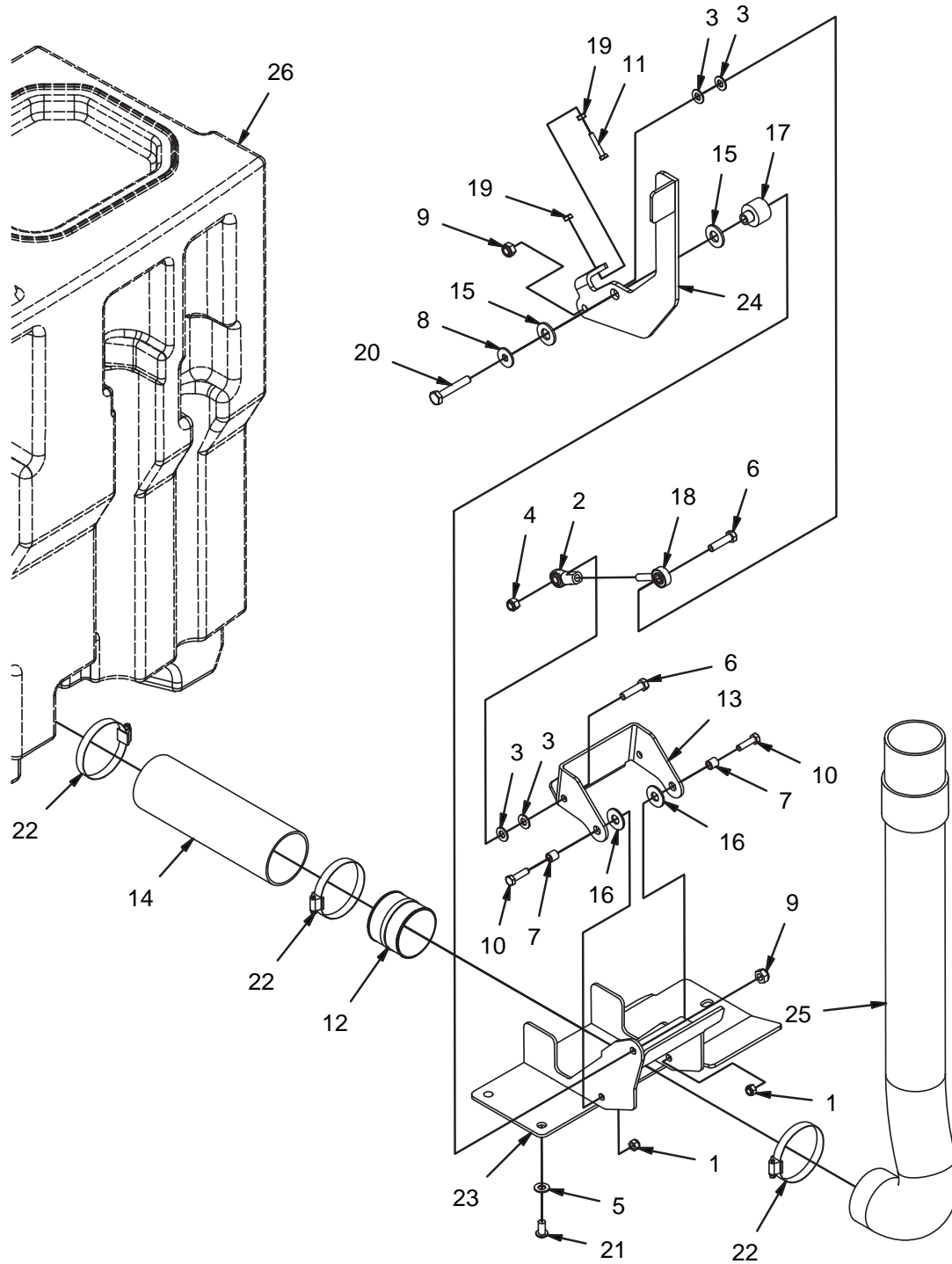


REV C

## RECOVERY TANK GROUP (770102)

Parts List - 770102			
ITEM	PART NUMBER	QTY	DESCRIPTION
1	11177187	4	SC-BHCS W/ FLANGE M8 X 1.25 X 16 SS
2	11177253	2	SC BHCS W/ FLANGE M8-1.25 X 12 SS
3	3300376	2	STUD, 10MM BALL
4	3309006	1	CAP, 6 INCH
5	3309070	1	GASKET, 6" PLASTIC CAP
6	3309099	1	PLATE, BACKING FOR 6" CAP
7	3400087	8	WASHER, 3/8
8	3400278	4	WASHER, FENDER, 3/8
9	3400335	2	SCREW, 3/8-16 X .750 HH SS
10	3400340	4	NUT, 3/8-16 ESN SS
11	3400385	6	WASHER, 3/8, BELLEVILLE
12	3402010	4	SCREW, 3/8-16 X 1.25 HH SS
13	500133-1	1	WIRE ASY, SWITCH-FLOAT
14	600581	2	CLAMP, WIRE CLIP
15	600913	1	BOLT, M6-1.00 X 20 HH SS
16	600933	1	NUT, M6-1.00 ESN SS
17	711380	4	NUT, FIBER INSERT 3/8-16
18	712695	8	NUT, HEX 3/8-16 SS
19	713041	4	SCREW, 3/8-16 X .750 HHC
20	713042	4	SCREW, 3/8-16 X 1.000 HHC
21	717040	8	WASHER, FENDER, .413 B 1.18 OD .098 T SS
22	730497	1	COVER, LH REC TANK
23	730503	1	COVER, RH REC TANK
24	730504	2	ROD, REC COVER
25	730505	2	SEAL, REC COVER
26	730515	1	RETAINER, HOSE
27	730519	1	RETAINER, SOL HOSE
28	730525	2	RETAINER, COVER
29	730526	2	WASHER, M8 FENDER SS
30	730527	8	LOCK WASHER, M8, SS
31	731144	1	CLAMP, HOSE, 2.25 - 3.25
32	731415	1	GUARD, FLOAT
33	770440	1	DEMISTER, HIGH DUMP
34	770441	2	SEAL, DEMISTER
35	770442	8	STUD, 3/8-16 X 1.75 SS
36	770443	1	RECOVERY TANK, HIGH DUMP
37	770444	2	PLATE, SIDE MNT
38	770456	1	WELDMENT, TANK BRACKET
39	770458	1	REC TANK FLOAT SW MNT
40	770459	1	ASSEMBLY, UPPER SQUEEGEE HOSE
41	770578	1	WELDMENT, LH TANK BRACKET

**RECOVERY TANK DRAIN GROUP (770103)**

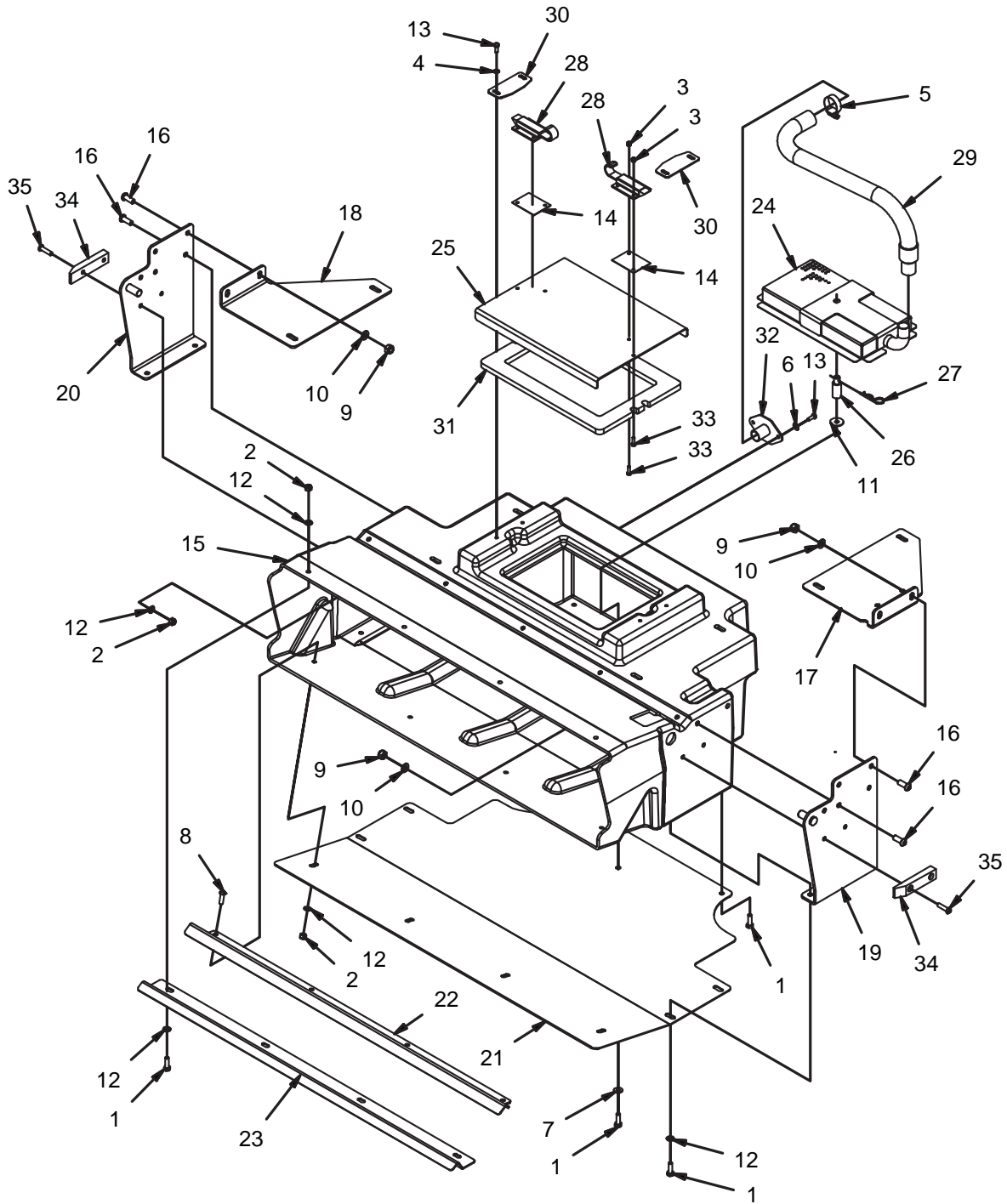


**REV A**

## RECOVERY TANK DRAIN GROUP (770103)

Parts List - 770103			
ITEM	PART NUMBER	QTY	DESCRIPTION
1	12040259	2	NUT, M8-1.25 ESN SS
2	3308762	1	ROD END, 3/8 FEM
3	3400087	4	WASHER, 3/8
4	3400340	1	NUT, 3/8-16 ESN SS
5	3400385	3	WASHER, 3/8, BELLEVILLE
6	3400455	2	SCREW, 3/8-16 X 1.50 HH SS
7	600114	2	SPACER, .328 B .498 OD .500 T
8	600363	1	WASHER, ISOLATOR
9	730339	2	NUT, M10-1.50 ESN SS
10	730506	2	BOLT, M8-125 X 30 HH SS
11	730508	1	BOLT, M6-1.00 X 35 HH FULL THREAD SS
12	730511	1	W/D, VALVE BODY, TUBE
13	730514	1	GATE, VALVE
14	730517	1	TUBE, DRAIN VALVE
15	730521	2	WASHER, NYLON, 5/8
16	730522	2	WASHER, NYLON, 1/2
17	730523	1	BAR, LEVER PIVOT
18	730524	1	ROD END, 3/8, MALE
19	730653	2	NUT, M6-1.00 SS
20	731142	1	BOLT, M10-1.50 X 60 HH SS
21	731143	3	BOLT, 3/8-16 X .75 BUTTON HD CAP SS
22	731144	3	CLAMP, HOSE, 2.25 - 3.25
23	770448	1	WELDMENT, VALVE BODY
24	770451	1	WELDMENT, VALVE HANDLE
25	770457	1	ASSEMBLY, REC DRAIN HOSE
26	REF.	-	RECOVERY TANK

**HOPPER GROUP (770113)**

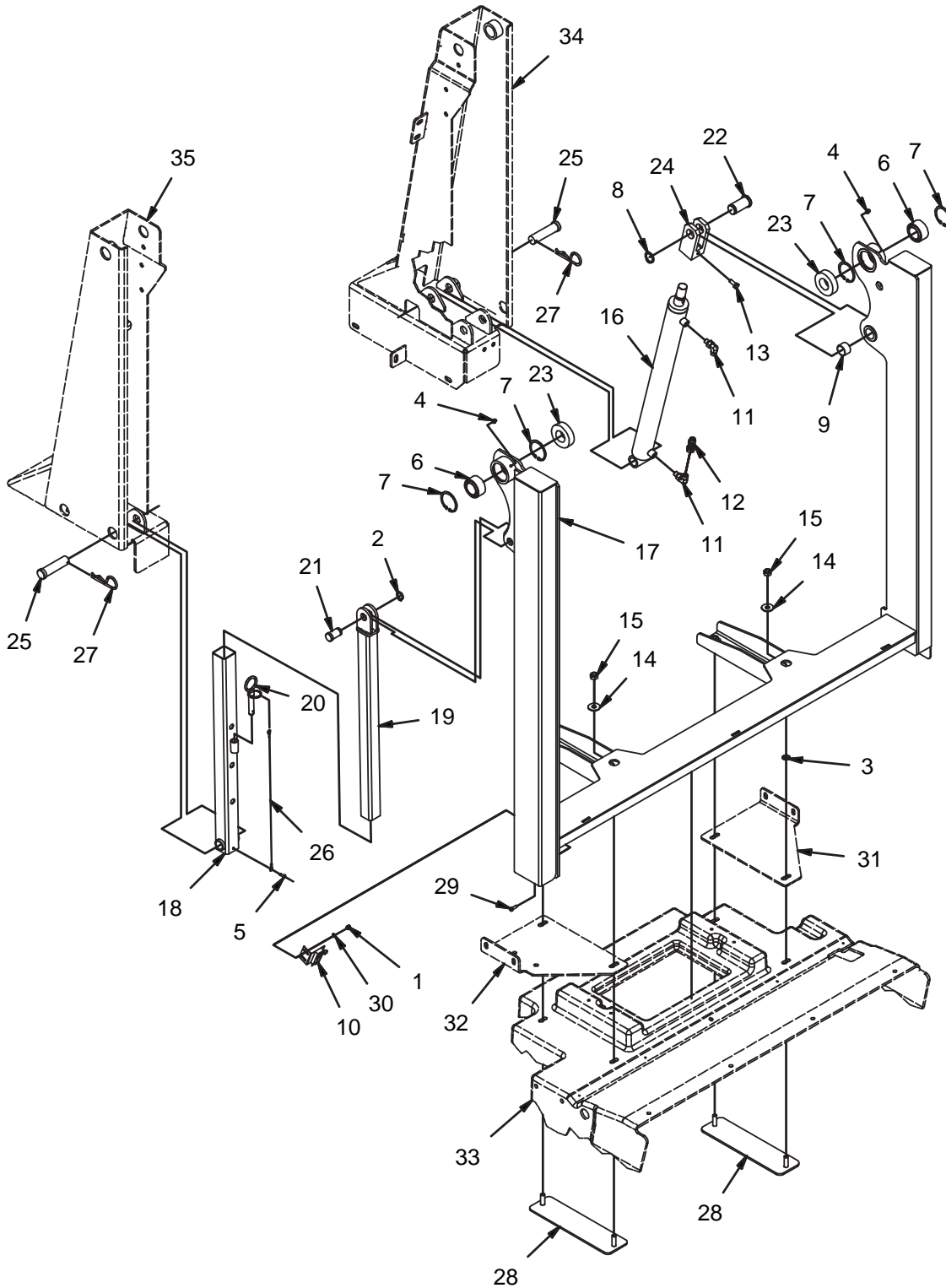


**REV A**

**HOPPER GROUP (770113)**

Parts List 770113			
ITEM	PART NUMBER	QTY	DESCRIPTION
1	11039567	11	BOLT, M8-1.25 X 25 HH SS
2	12040259	18	NUT, M8-1.25 ESN SS
3	12040283	4	NUT, M5 - 0.8 ESN SS
4	12310033	4	WASHER, M6
5	3302193	1	CLAMP, HOSE, .75 - 1.25
6	3400383	2	WASHER, 1/4 BELLEVILLE
7	3400384	1	WASHER, 5/16 BELLEVILLE
8	600917	4	SCREW, M8-1.25 X 25 BUTTON HD CAP SS
9	730339	8	NUT, M10-1.50 ESN SS
10	730344	8	WASHER, M10 SS
11	730526	1	WASHER, M8 FENDER SS
12	730609	26	WASHER, M8 SS
13	730934	6	BOLT, M6-1.00 X 16 HH SS
14	770594	2	PLATE, SPACER
15	770487	1	HOPPER, HIGH DUMP
16	770488	8	BOLT, M10-1.50 X 25 BUTTON HD CAP
17	770489	1	WELDMENT, LH HOPPER MOUNT
18	770491	1	MOUNT, RH HOPPER
19	770492	1	WELDMENT, LH SIDE SUPPORT
20	770495	1	WELDMENT, RH SIDE SUPPORT
21	770500	1	SKID PLATE, HOPPER
22	770502	1	LIP, HOPPER
23	770503	1	ANGLE, UPPER
24	770505	1	WELDMENT, SEPARATOR
25	770509	1	COVER, HOPPER
26	770510	1	PIN, STRAINER
27	770511	1	HAIR PIN COTTER, .50 - .56 SS
28	770512	2	LATCH, PULL
29	770513	1	ASSEMBLY, HOSE, 1"
30	770514	2	PLATE, STRIKER
31	770515	1	SEAL, HOPPER ACCESS
32	770520	1	WELDMET, SEAL FACE
33	770528	4	SCREW, M5-0.8 X 16 HH SS
34	770535	2	GUIDE
35	770536	4	SCREW, M8-1.25 X 30 BUTTON HD CAP SS

**HOPPER LIFT GROUP (770111)**



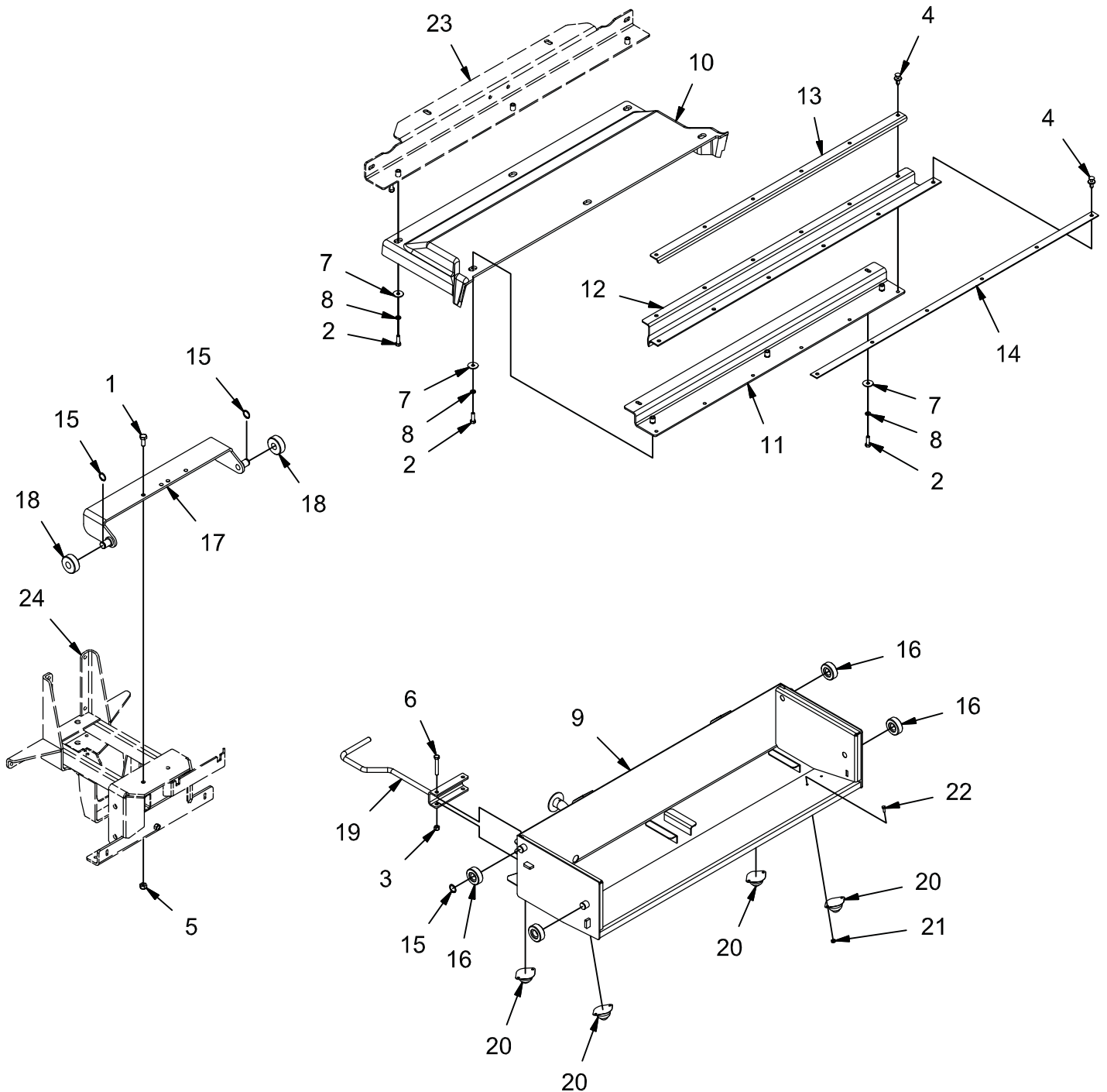
**REV B**



**HOPPER LIFT GROUP (770111)**

Parts List - 770111			
ITEM	PART NUMBER	QTY	DESCRIPTION
1	12040283	2	NUT, M5 - 0.8 ESN SS
2	172425	1	RETAINING RING, EXT, .750 HD
3	3316981	4	PUSH NUT, M8
4	3400012	2	GREASE ZIRK
5	3400484	1	RIVET, MULTI-GRIP
6	600109	2	BEARING, SPHERICAL
7	600575	4	RING, RETAINING INT, 2.00
8	600577	1	RETAINING RING, EXT, 1.00 HD
9	600801	1	BEARING, FIBERGLIDE 1.00 ID .75 T
10	600530-1	1	SWITCH, LIMIT, NC
11	675507	2	FITTING, 90, -4 ORFS - 4 SAE
12	675622	1	FITTING, ORIFICE, .031
13	711228	1	SCREW, 5/16-18 X .750 HHC
14	717040	4	WASHER, FENDER, .413 B 1.18 OD .098 T SS
15	730339	4	NUT, M10-1.50 ESN SS
16	770300	1	CYLINDER, HYD, 1.5 B X 15.5 STK
17	770357	1	WELDMENT, HOPPER LIFT ARM
18	770366	1	WELDMENT, SAFETY TUBE
19	770370	1	WELDMENT, UPPER SAFETY TUBE
20	770374	1	SAFETY PIN
21	770377	1	PIN, UPPER SAFETY TUBE
22	770380	1	PIN, UPPER CYLINDER
23	770397	2	SPACER, 1.255 B 2.50 OD .688T
24	770398	1	CLEVIS
25	770464	2	CLEVIS PIN, .88 X 3.25
26	770466	1	LANYARD
27	770468	2	COTTER, HAIR SPRING, 7/8 - 1
28	770497	2	WELDMENT, BACK PLATE
29	770528	2	SCREW, M5-0.8 X 16 HH SS
30	770538	2	WASHER, M5 SS
31	REF	1	RH HOPPER MOUNT
32	REF	-	LH HOPPER MOUNT
33	REF	-	HOPPER
34	REF.	-	RIGHT PILLAR
35	REF.	-	LEFT PILLAR

**HOPPER CRADLE GROUP (730174)**

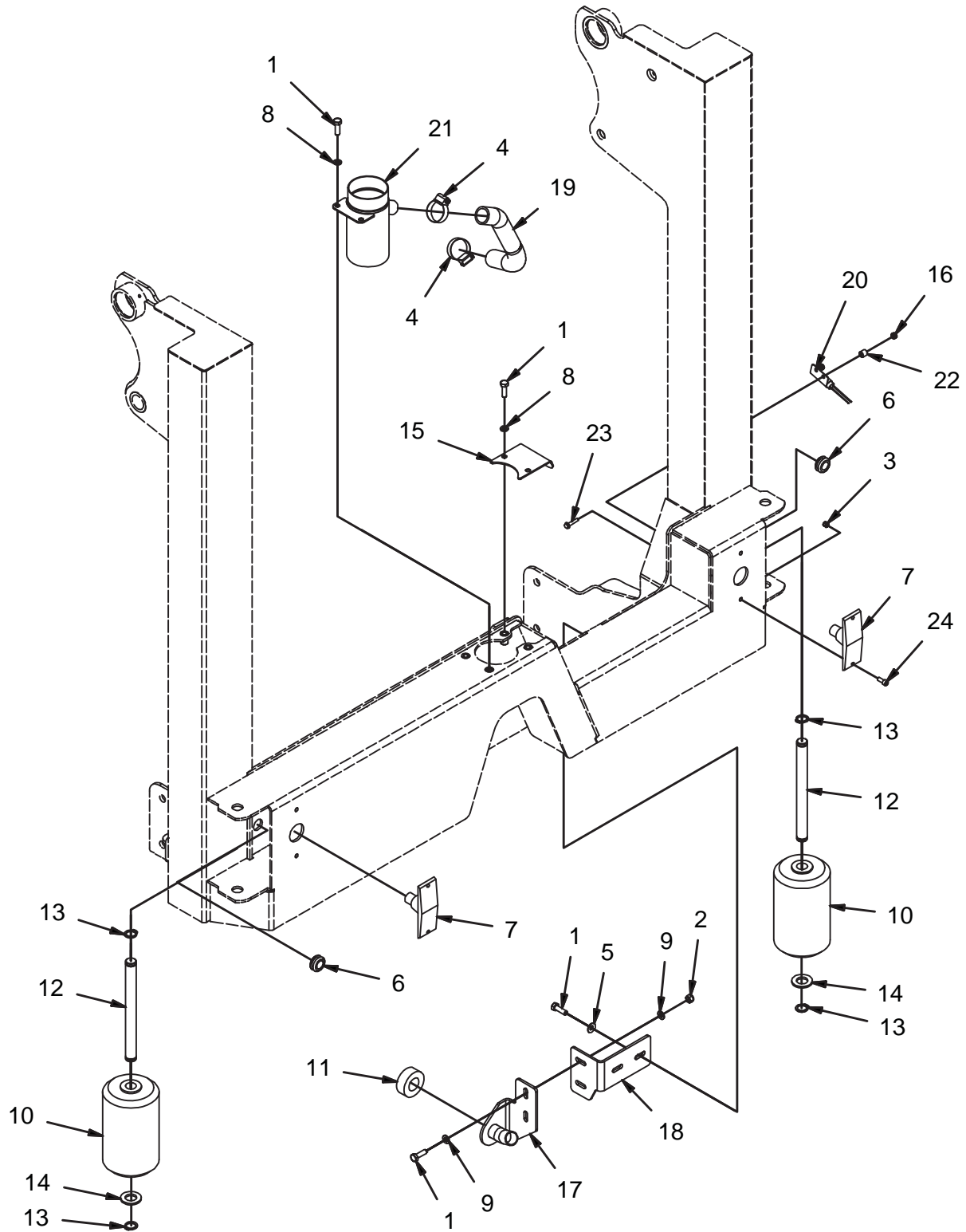


REV \*

**HOPPER CRADLE GROUP (730174)**

Parts List 730124			
ITEM	PART NUMBER	QTY	DESCRIPTION
1	11038346	2	BOLT, M10-1.50 X 25 HH
2	11039567	8	BOLT, M8-1.25 X 25 HH SS
3	12040259	2	NUT, M8-1.25 ESN SS
4	600965	12	FASTENER, PRESS-IN
5	730339	2	NUT, M10-1.50 ESN SS
6	730507	2	BOLT, M8-1.25 X 55 HH SS
7	730526	8	WASHER, M8 FENDER SS
8	730527	8	LOCK WASHER, M8, SS
9	730807	1	WELDMENT, CRADLE
10	730825-1	1	COVER, HOPPER
11	730826-1	1	ASSEMBLY, COVER SUPPORT
12	730828	1	SEAL, HOPPER
13	730829	1	RETAINER, SEAL
14	730830	1	RETAINER, SEAL
15	730841	6	RETAINING RING, .75
16	730842	4	WHEEL
17	731133	1	WELDMENT, PUSH BRACKET
18	731136	2	ROLLER
19	731156-1	1	WELDMENT, CRADLE HANDLE
20	731239	4	BALL, ROLLER, 1" SS
21	731242	8	NUT, 10-32 ESN SS
22	731243	8	SCREW,#10-32 X .50 HH SS
23	REF	-	SUPPORT BEAM
24	REF.	-	SQUEEGEE LIFT

**REAR BUMPER GROUP (770115)**

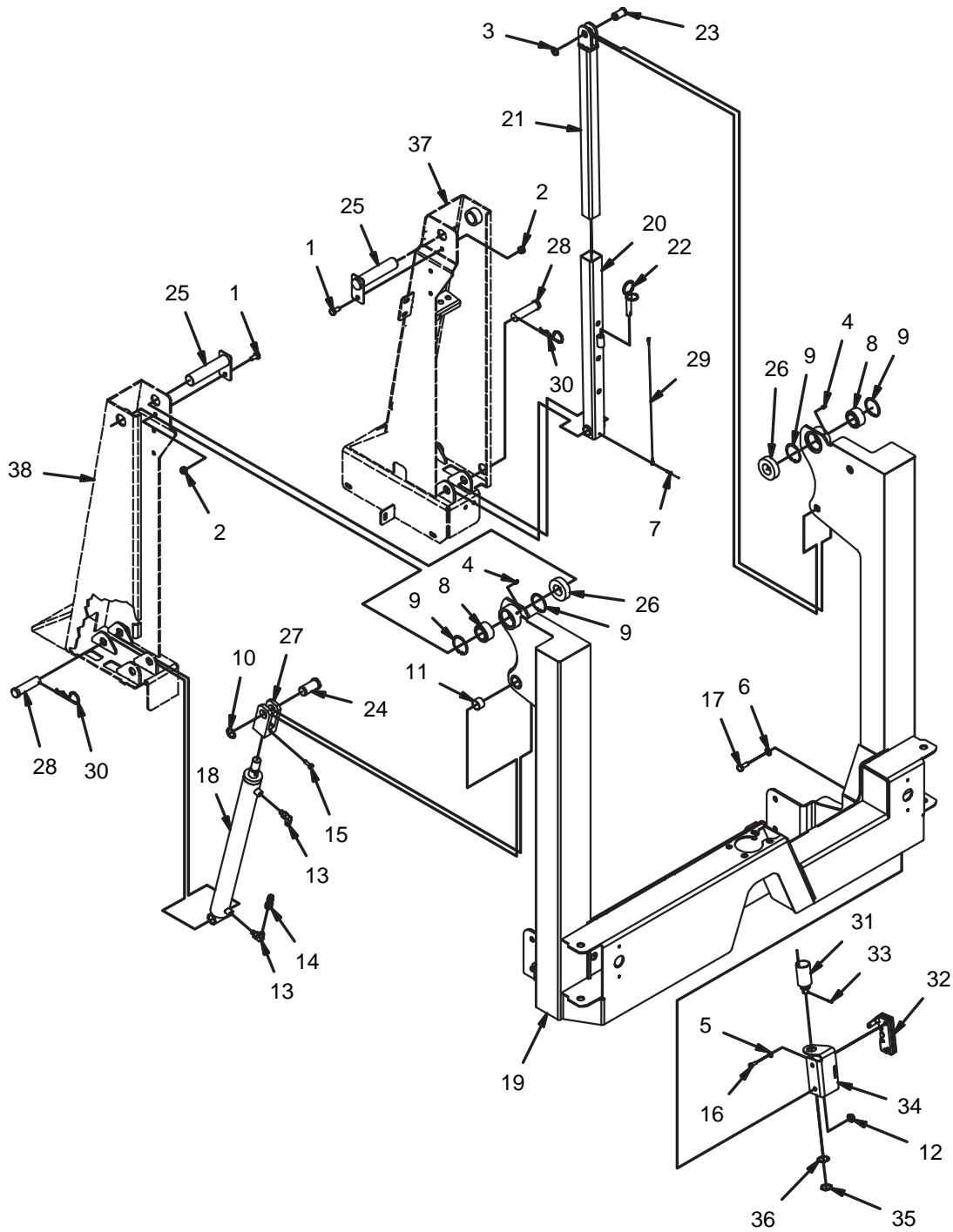


**REV B**

**REAR BUMPER GROUP (770115)**

Parts List 770115			
ITEM	PART NUMBER	QTY	DESCRIPTION
1	11039567	8	BOLT, M8-1.25 X 25 HH SS
2	12040259	2	NUT, M8-1.25 ESN SS
3	12040283	4	NUT, M5 - 0.8 ESN SS
4	3302193	2	CLAMP, HOSE, .75 - 1.25
5	3400384	2	WASHER, 5/16 BELLEVILLE
6	600151	2	GROMMET, .63 ID .88 OD .25 T
7	600514-6	2	TAIL LIGHT
8	730527	4	LOCK WASHER, M8, SS
9	730609	4	WASHER, M8 SS
10	730719	2	ROLLER
11	730848	1	SEAL
12	730876	2	PIN, ROLLER
13	730877	4	RETAINING RING, EXT, .750
14	730886	2	FLAT WASHER, .75 ZP
15	731189	1	COVER, HOSE PORT
16	731242	2	NUT, 10-32 ESN SS
17	770516	1	WELDMENT, HOSE ADJ
18	770518	1	BRACKET, ADJ
19	770519	1	TUBING, HOPPER VAC
20	770589-1	1	SWITCH, TILT
21	770591	1	WELDMENT, HD SQU TUBE
22	770599	2	SPACER, .203 B .438 OD .400 T
23	770600	2	SCR-HEX,#10-32 X 0.75 ZP
24	831206	4	SCREW, M5-0.8 X 16 SHCS ZP
25	REF	-	SQUEEGEE LIFT ARM

**BUMPER LIFT GROUP (770110)**

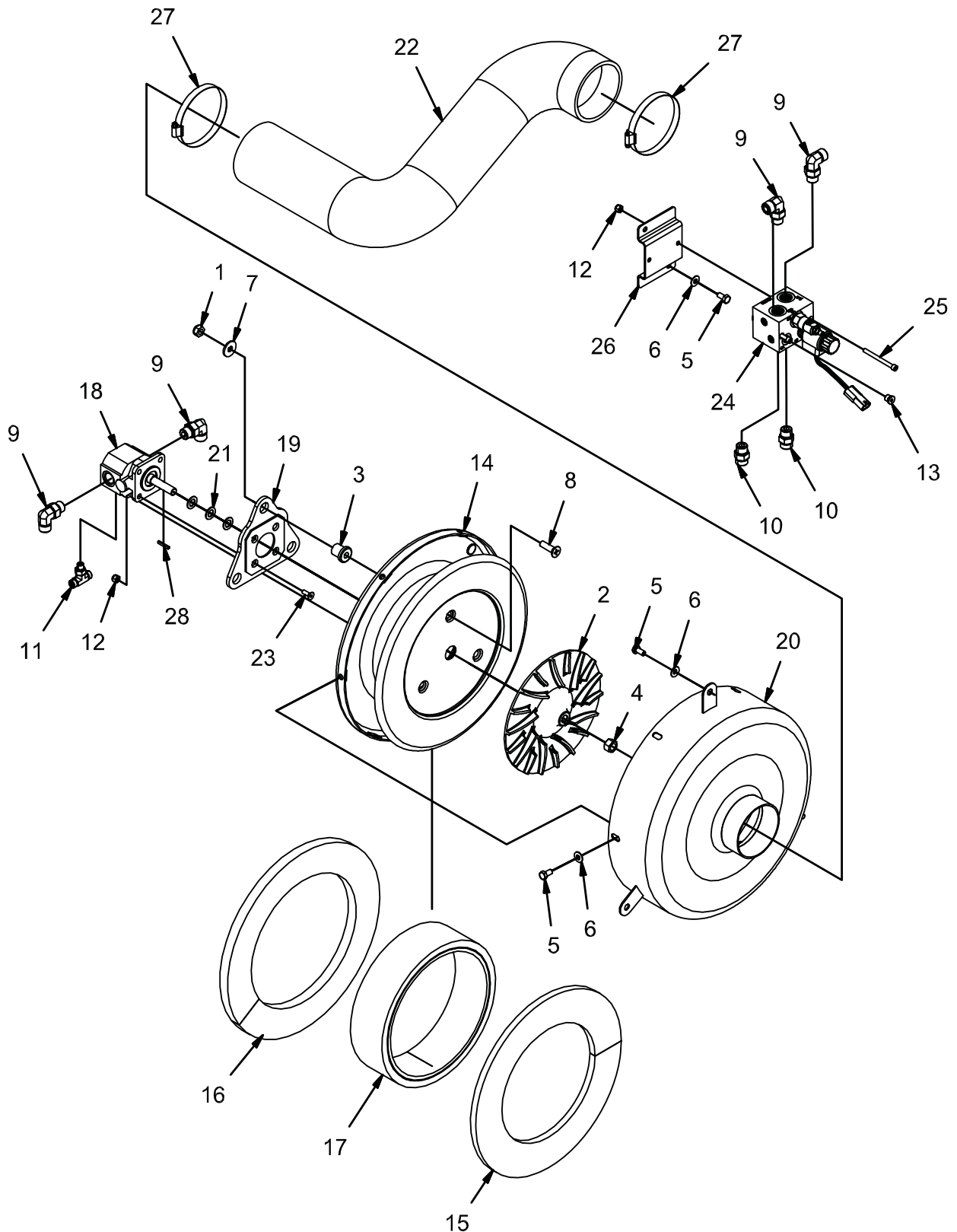


**REV A**

## BUMPER LIFT GROUP (770110)

Parts List - 770110			
ITEM	PART NUMBER	QTY	DESCRIPTION
1	11038353	2	BOLT, M10-1.50 X 20 HH
2	12040069	2	NUT, M10-1.50 ESN
3	172425	1	RETAINING RING, EXT, .750 HD
4	3400012	2	GREASE ZIRK
5	3400383	4	WASHER, 1/4 BELLEVILLE
6	3400385	2	WASHER, 3/8, BELLEVILLE
7	3400484	1	RIVET, MULTI-GRIP
8	600109	2	BEARING, SPHERICAL
9	600575	4	RING, RETAINING INT, 2.00
10	600577	1	RETAINING RING, EXT, 1.00 HD
11	600801	1	BEARING, FIBERGLIDE 1.00 ID .75 T
12	600936	2	NUT, M10-1.50 FLNG
13	675507	2	FITTING, 90, -4 ORFS - 4 SAE
14	675622	1	FITTING, ORIFICE, .031
15	711228	1	SCREW, 5/16-18 X .750 HHC
16	712562	4	SCREW, 1/4-20 X .75 HH SS
17	730958	2	BOLT, M10-1.50 X 25 HH SS
18	770300	1	CYLINDER, HYD, 1.5 B X 15.5 STK
19	770334-1	1	ASSEMBLY, SQUEEGEE LIFT
20	770366	1	WELDMENT, SAFETY TUBE
21	770370	1	WELDMENT, UPPER SAFETY TUBE
22	770374	1	WELDMENT, SAFETY PIN
23	770377	1	PIN, UPPER SAFETY TUBE
24	770380	1	PIN, UPPER CYLINDER
25	770394	2	WELDMENT, PIVOT PIN
26	770397	2	SPACER, 1.255 B 2.50 OD .688T
27	770398	1	CLEVIS
28	770464	2	CLEVIS PIN, .88 X 3.25
29	770466	1	LANYARD
30	770468	2	COTTER, HAIR SPRING, 7/8 - 1
31	770472-1	1	WIRE ASSY, SOLENOID
32	770473	1	LATCH, MECH
33	770537	1	ROLL PIN, SPLIT, 1/8 ZP
34	770552	1	WELDMENT, LATCH MNT
35	PART OF 770472	1	NUT
36	PART OF 770472	1	LOCK WASHER
37	REF.	-	RIGHT PILLAR
38	REF.	-	LEFT PILLAR

**IMPELLER GROUP (730126)**



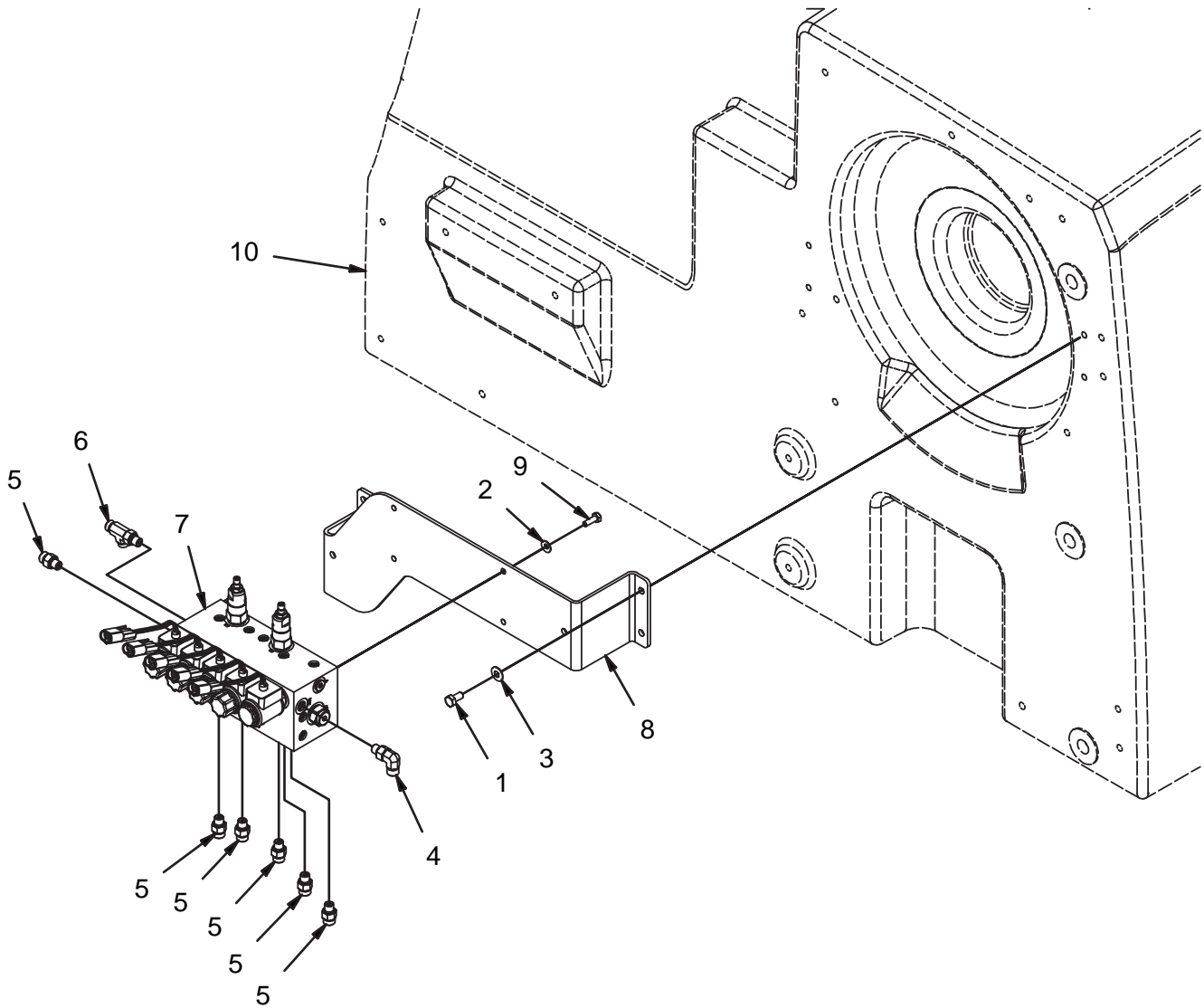
**REV C**



**IMPELLER GROUP (730126)**

Parts List 730126			
ITEM	PART NUMBER	QTY	DESCRIPTION
1	12040069	3	NUT, M10-1.50 ESN
2	3300133	1	IMPELLER
3	3300465	3	ISOLATOR, VIB
4	3400064	1	NUT, 1/2-20 UNF ZP
5	3400291	11	BOLT, M8-1.25 X 16 HH
6	3400384	11	WASHER, 5/16 BELLEVILLE
7	600363	3	WASHER, ISOLATOR
8	600954	3	SCREW, M10-1.50 X 35 FHMS
9	675523	4	FITTING, 90, 8 ORFS - 8 SAE
10	675524	2	FITTING, STR, 8 ORFS - 8 SAE
11	675556	1	FITTING, TEE, 4 ORFS - 4 SAE
12	711373	6	NUT, FIBER INSERT 1/4-20
13	3331436	1	FITTING, PLUG, 4 O-RING
14	730463-1	1	IMPELLER HOUSING, MACHINED
15	730466	1	INSULATION, SOUND
16	730467	1	INSULATION, SOUND
17	730468	1	INSULATION, SOUND
18	730470	1	MOTOR, HYD, GEAR
19	730471	1	WELDMENT, MOTOR MNT
20	730474	1	WELDMENT, IMPELLER SHROUD
21	730479	3	PRECISION WASHER, .88 D .51 B .060 T
22	730501	1	HOSE, VACUUM FAN
23	730562	4	SCREW, 1/4-20 X .750 FHMS ZP
24	730790	1	MANIFOLD, IMPELLER
25	730889	2	BOLT, 1/4-20 X 2.75 SOC HD ZP
26	730891	1	BRACKET, MANIFOLD
27	731166	2	CLAMP, HOSE, 3" - 4"
28	PART OF 730470	1	KEY, .125 SQ X 1.00

**IMPELLER HYDRAULIC MANIFOLD GROUP (770116)**

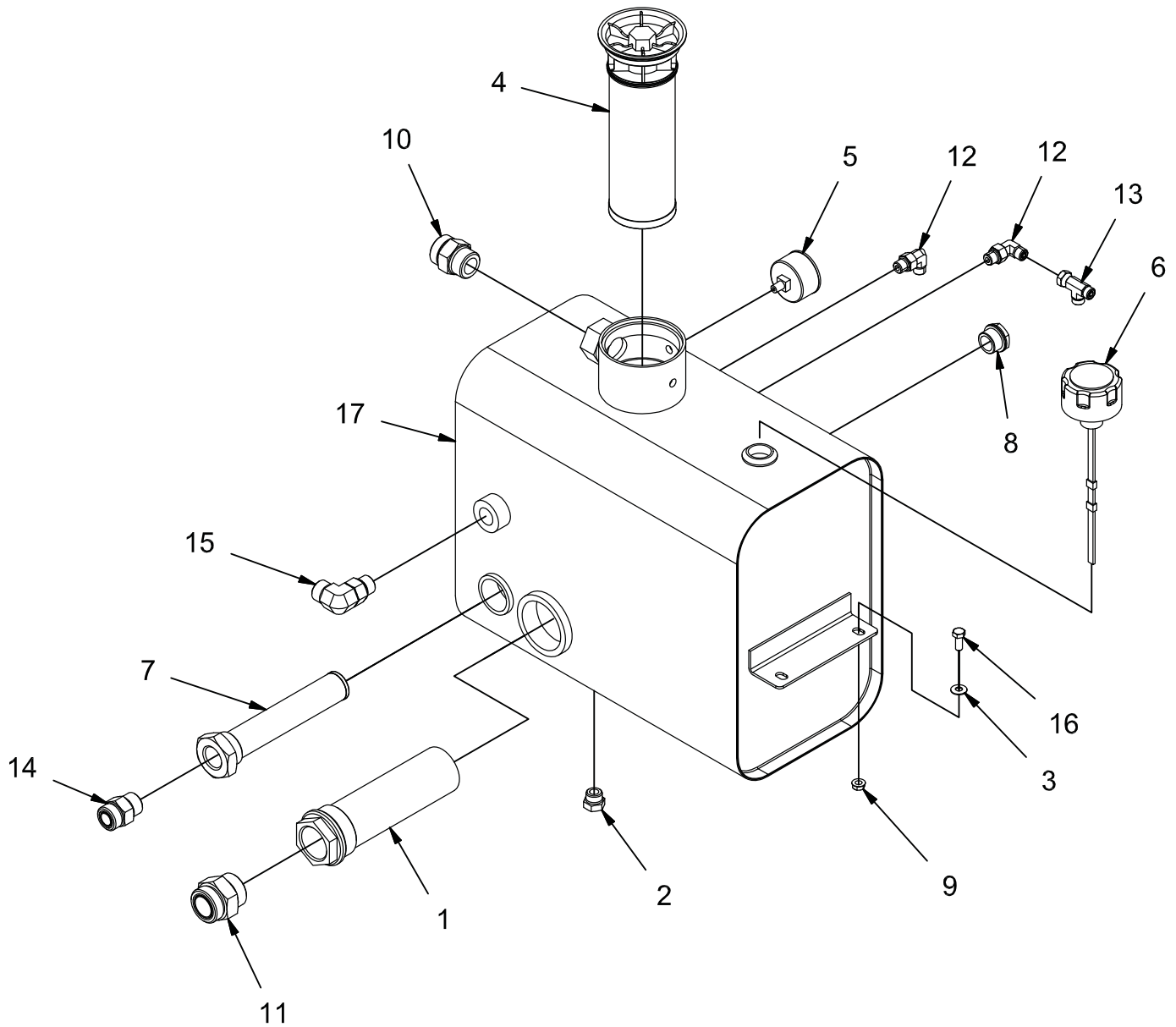


**REV B**

**IMPELLER HYDRAULIC MANIFOLD GROUP (770116)**

Parts List 770116			
ITEM	PART NUMBER	QTY	DESCRIPTION
1	3400291	4	BOLT, M8-1.25 X 16 HH
2	3400383	4	WASHER, 1/4 BELLEVILLE
3	3400384	4	WASHER, 5/16 BELLEVILLE
4	675507	1	FITTING, 90, -4 ORFS - 4 SAE
5	675508	6	FITTING, STR, 4 ORFS - 4-SAE
6	675509	1	FITTING, RUN TEE -4 ORFS TO -4 SAE
7	770557	1	HIGH DUMP MANIFOLD
8	770558	1	MOUNT, HIGH DUMP MANIFOLD
9	770583	4	SCREW, 1/4-28 X .75 HHC
10	REF.	-	HD SOLUTION TANK

**HYDRAULIC RESERVOIR GROUP (730127)**

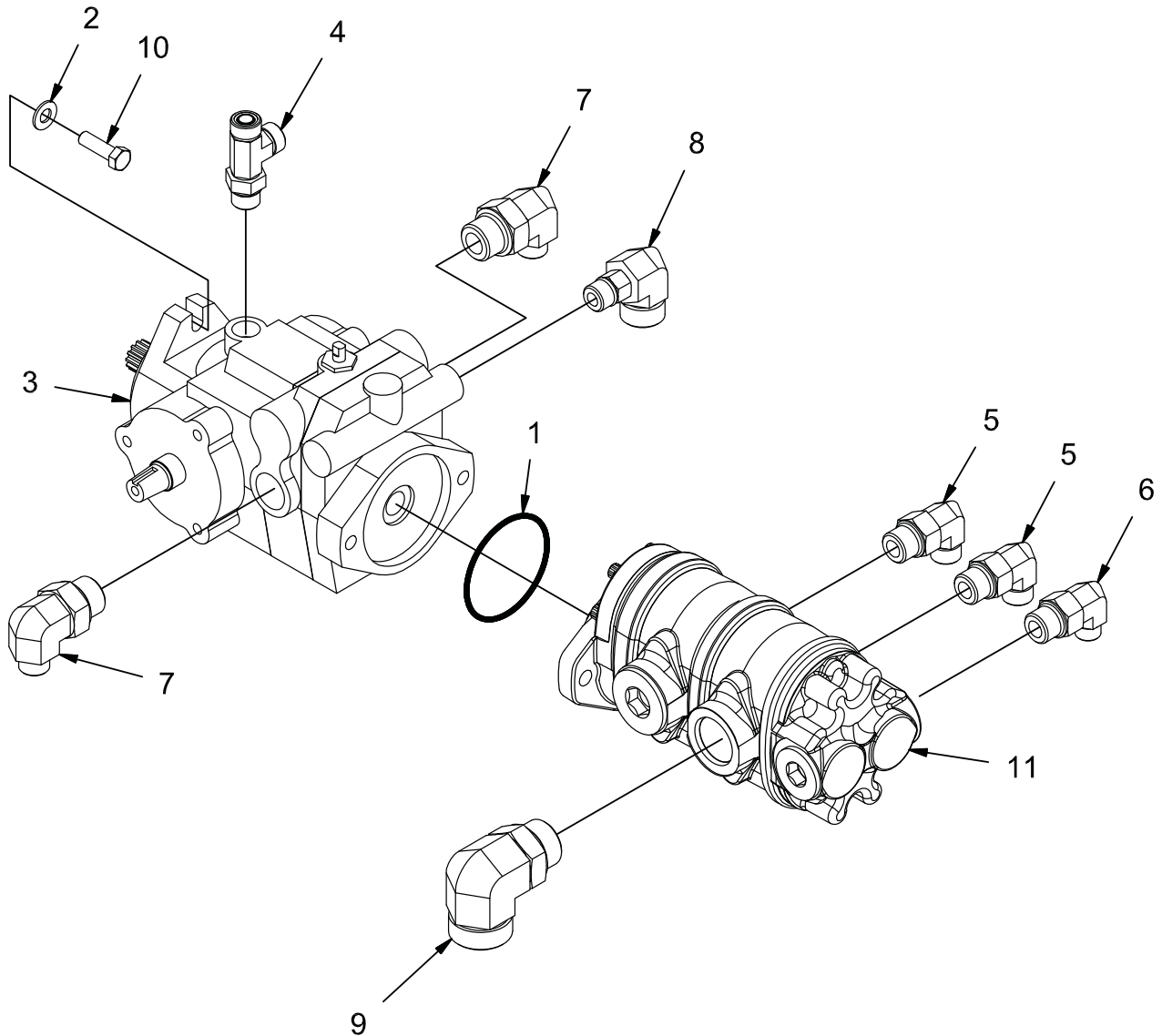


REV \*

**HYDRAULIC RESERVOIR GROUP (730127)**

Parts List 730127			
ITEM	PART NUMBER	QTY	DESCRIPTION
1	3343836	1	STRAINER, HYDRAULIC, 20
2	3400164	1	FITTING, PLUG, 8 O-RING
3	3400384	4	WASHER, 5/16 BELLEVILLE
4	600182	1	FILTER ELEMENT, 10 MIC
5	600183	1	GAUGE, 0-60 PSI
6	600184	1	FILLER-BREATHER, 10 MIC
7	600185	1	STRAINER, 12
8	600531	1	SIGHT GAUGE
9	600934	4	NUT, M8-1.25 FLNG
10	675505	1	FITTING, STR, 16 ORFS - 16 SAE
11	675539	1	FITTING, STR, 20 ORFS - 20 SAE
12	675546	2	FITTING, 90, 4 ORFS - 6 SAE
13	675549	1	FITTING, RUN TEE, 4 ORFS - 4 SAE
14	675551	1	FITTING, STR, 12 ORFS - 12 SAE
15	675557	1	FITTING, 90, 10 ORFS - 10 SAE
16	717024	4	BOLT, M8-1.25 X 20 HH
17	730309	1	TANK, HYD RESERVOIR

**HYDRAULIC PUMP GROUP (730136)**

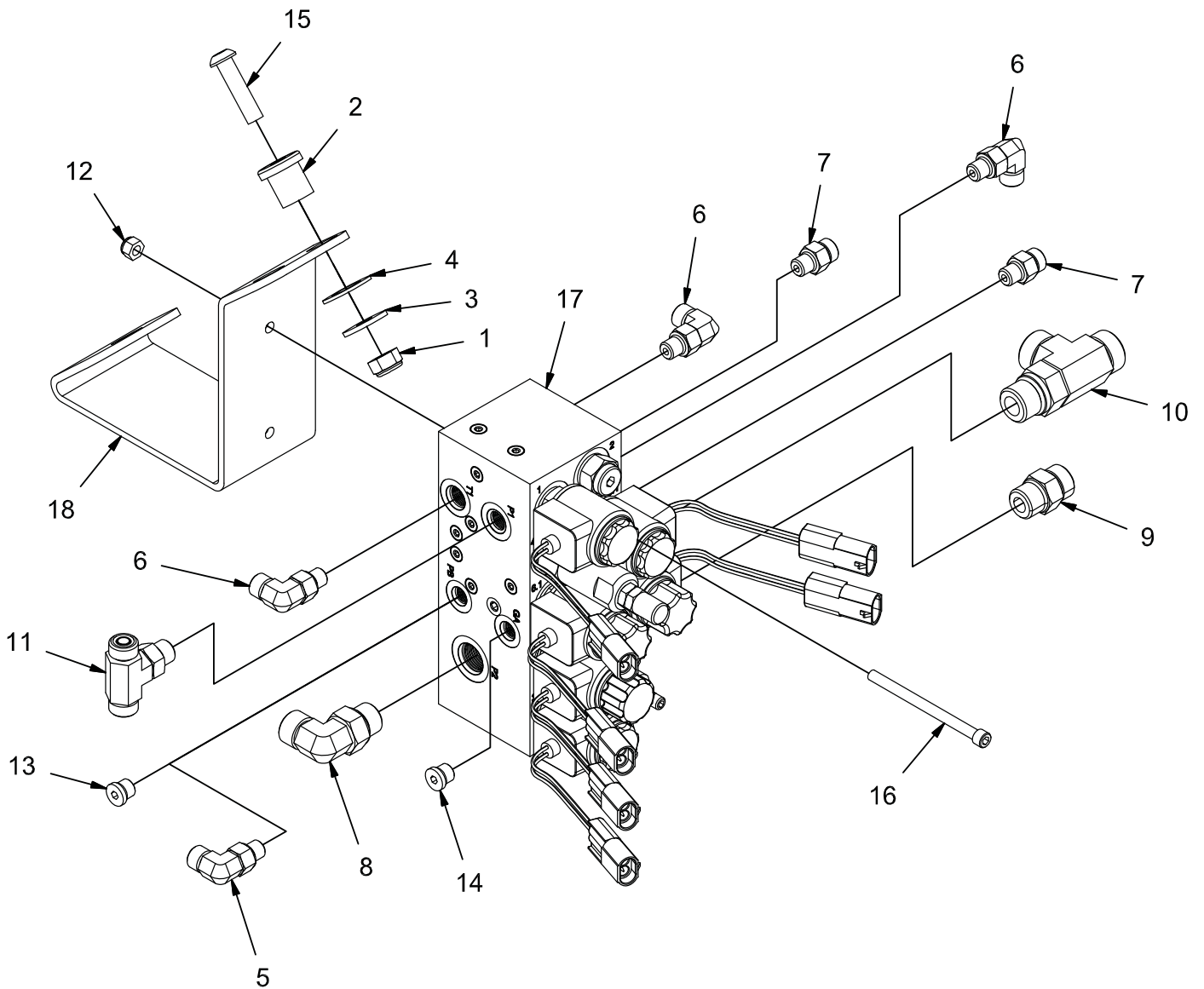


**REV \***

**HYDRAULIC PUMP GROUP (730136)**

Parts List - 730136			
ITEM	PART NUMBER	QTY	DESCRIPTION
1	3303711	1	O-RING
2	3400385	2	WASHER, 3/8, BELLEVILLE
3	600215	1	PUMP, PROPULSION
4	675525	1	FITTING, RUN TEE, 8 ORFS - 8 ORFS - 8 SAE
5	675528	2	FITTING, 90, 8 ORFS - 10 SAE
6	675532	1	FITTING, 90, 6 ORFS - 10 SAE
7	675537	2	FITTING, 90, 8 ORFS - 12 SAE
8	675543	1	FITTING, 90, 12 ORFS - 8 SAE
9	675553	1	FTG-STR THD 90 -20 ORFC TO -16 SAE
10	713043	2	SCREW, 3/8-16 X 1.25 HH
11	730310	1	PUMP, AUX

**HYDRAULIC VALVE GROUP (730137)**



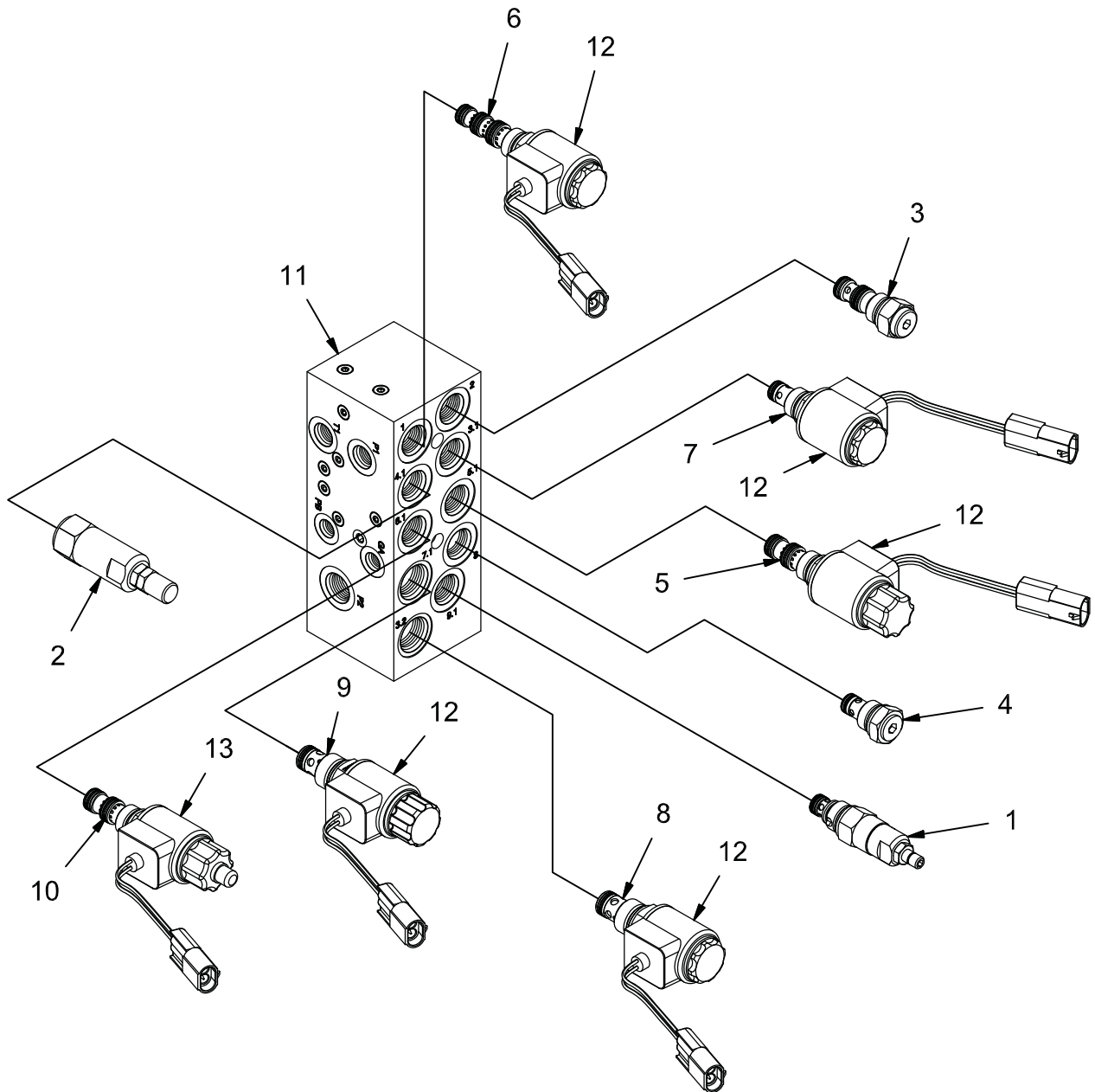
REV \*



## HYDRAULIC VALVE GROUP (730137)

Parts List 730137			
ITEM	PART NUMBER	QTY	DESCRIPTION
1	12040069	3	NUT, M10-1.50 ESN
2	3300465	3	ISOLATOR, VIB
3	600363	3	WASHER, ISOLATOR
4	66-431-A	3	WASHER, .77 B 1.25 OD .075 T
5	675507	1	FITTING, 90, 4 ORFS - 4 SAE (W/ OPT SIDE BRUSH)
6	675507	3	FITTING, 90, 4 ORFS - 4 SAE
7	675508	2	FITTING, STR, 4 ORFS - 4-SAE
8	675523	1	FITTING, 90, 8 ORFS - 8 SAE
9	675524	1	FITTING, STR, 8 ORFS - 8 SAE
10	675540	1	FITTING, RUN TEE, 10 ORFS - 10 SAE
11	675555	1	FITTING, TEE 6 ORFS - 6 SAE
12	711373	2	NUT, FIBER INSERT 1/4-20
13	3331436	1	FITTING, PLUG 4 O-RING (W/O OPT SIDE BRUSH)
14	3331436	1	FITTING, PLUG, 4 O-RING (GAUGE PORT)
15	730698	3	BOLT, M10-1.50 X 40 BUTTON HD CAP
16	730699	2	BOLT, 1/4-20 X 3.50 SOC HD CAP
17	730700	1	HYDRAULIC MANIFOLD ASSEMBLY
18	730711	1	MOUNT, MANIFOLD

**HYDRAULIC MANIFOLD COMPONENTS GROUP (730170)**

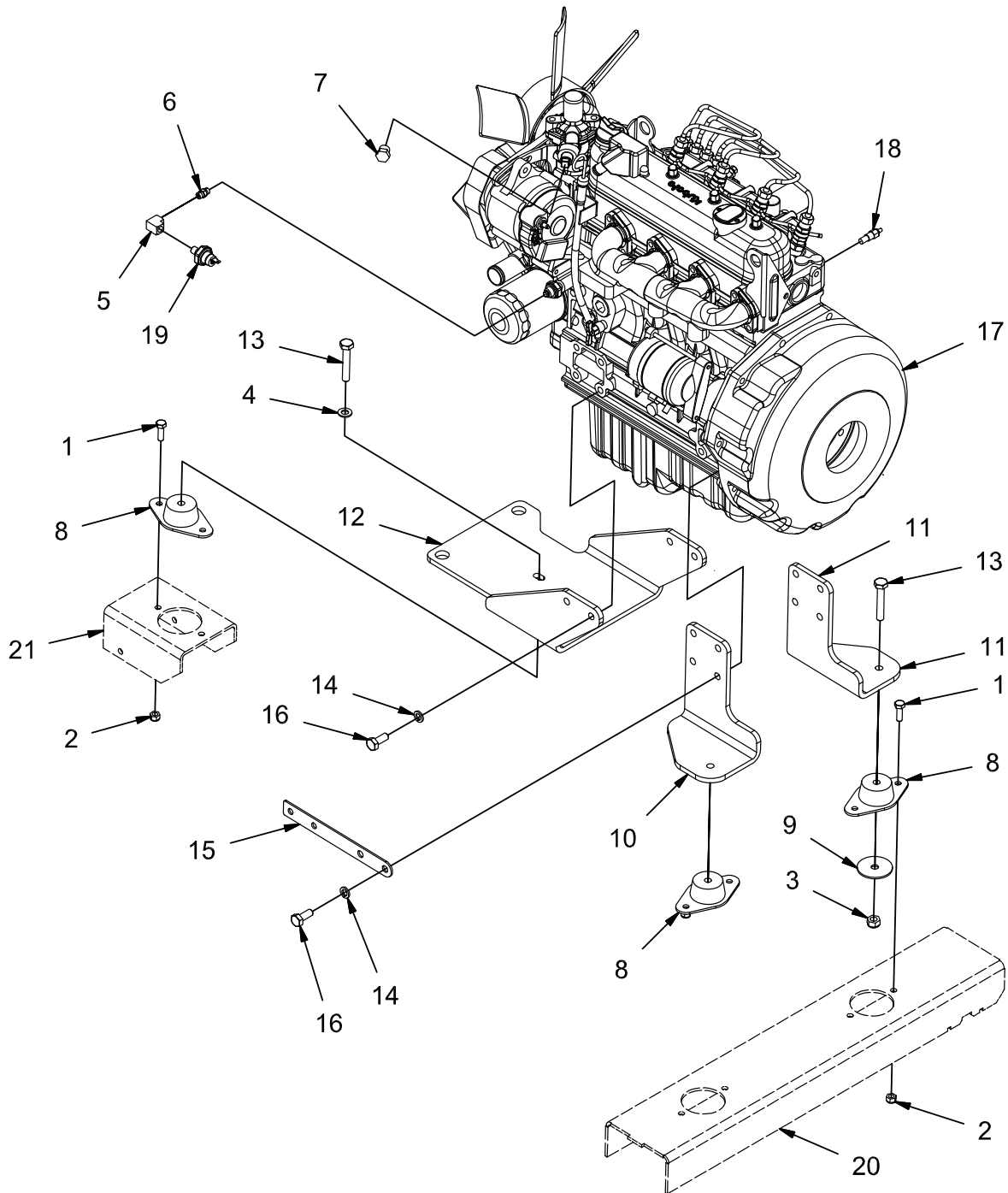


**REV B**

**HYDRAULIC MANIFOLD COMPONENTS GROUP (730170)**

Parts List 730170			
ITEM	PART NUMBER	QTY	DESCRIPTION
1	730701	1	PORT 9.1 - RV2 - RELIEF VALVE RELIEF VALVE, DB08P-01-C-N-330-V-250
2	730702	1	PORT 4.1 - RV3 - PRESSURE REDUCTION VALVE SOL. RED. VALVE, DR08-01-C-N-050-V-45
3	730703	1	PORT 2 - CV2 - P.O. CHECK VALVE P.O. CHECK VALVE, RP08A-01-C-N-15-4
4	730704	1	PORT 8 - CV1 - CHECK VALVE CHECK VALVE, RV08A-01-C-N-05
5	730705	1	PORT 5.1 - SV5 - MAIN BRUSHES DOWN SOL. VALVE, WK08L-01-C-N-0
6	730706	1	PORT 1 - SV7 - SQUEEGEE UP-DN SOL. VALVE, WK08X-01-C-N-0
7	730707	1	PORT 3.1 - SV6 - MAIN BRUSHES UP-LOCK SOL. VALVE, WS08ZR-01-C-N-0
8	730708	1	PORT 3.2 - SV3 - MAIN BRUSHES ON-OFF SOL. VALVE, WS10ZR-01-C-N-0
9	730709	1	PORT 7.1 - SV2 - ALL OFF SOL. VALVE, WS10Y-01-C-N-0
10	730710	1	PORT 6.1 - SV4 - BRUSH FORCE PROP. RED. VALVE, PDR08-01-M-C-N-070
11	731121	1	MANIFOLD BLOCK, MAIN C961-1
12	731122	5	COIL, 12V, 3003124
13	731226	1	COIL, PROPORTIONAL, 12PL-2.2-40-1836

**ENGINE MOUNT GROUP - DIESEL (730128)**

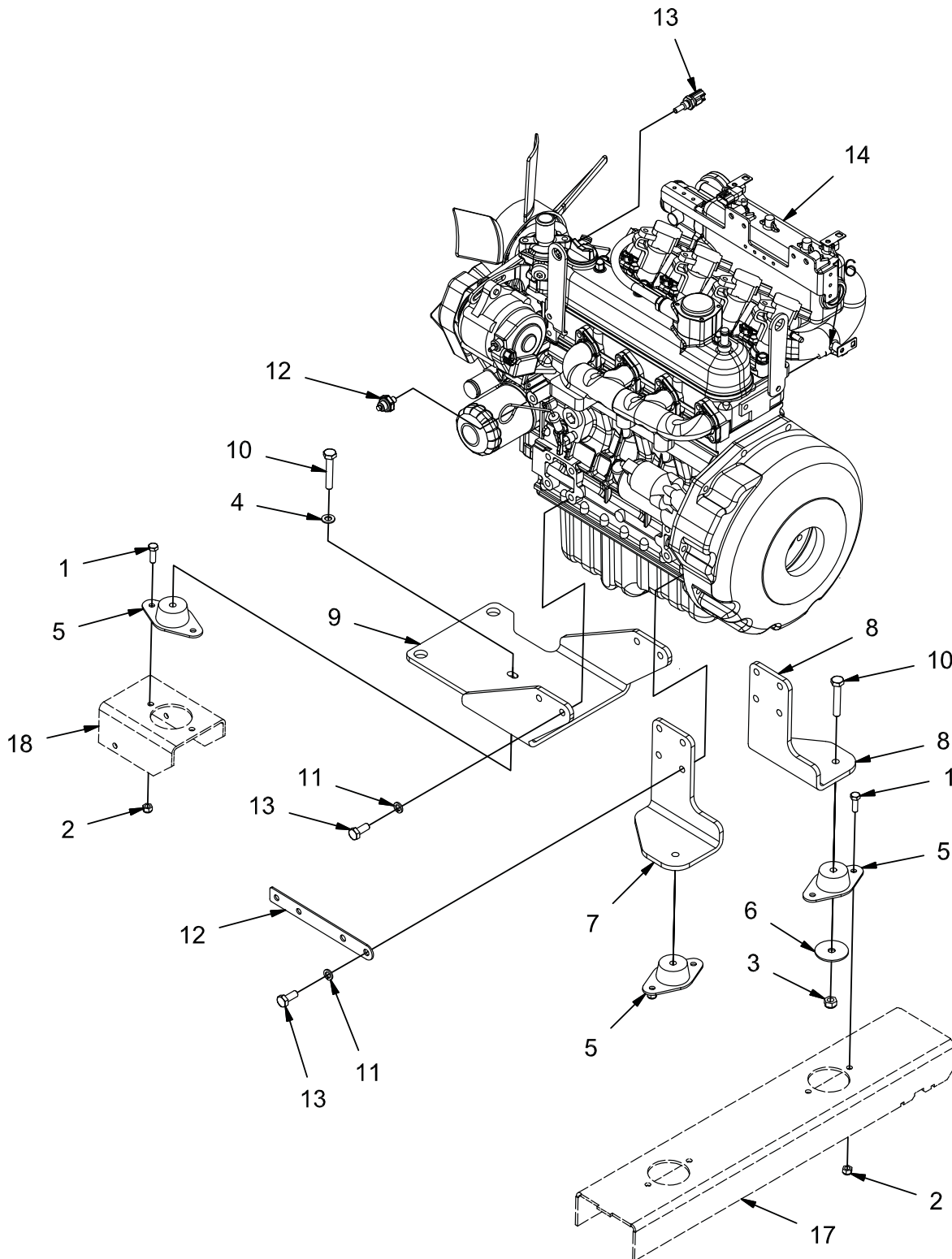


REV \*

**ENGINE MOUNT GROUP - DIESEL (730128)**

Parts List 730128			
ITEM	PART NUMBER	QTY	DESCRIPTION
1	11038247	6	BLT-HH M8-1.25 X 25 STL ZINC
2	12040051	6	NUT, M8-1.25 ESN
3	12040069	3	NUT, M10-1.50 ESN
4	12310058	1	WASHER, M10
5	3301720	1	FTG, BRASS ELBOW, 1/8 FEMALE NPT
6	3305640	1	FITTING, NIPPLE
7	3400194	1	PIPE PLUG, BRASS, 3/8
8	600212	3	ISOLATOR, VIBRATION
9	600333	3	WASHER, SAFETY
10	600881	1	MOUNT, REAR OUTER DIESEL ENG
11	600882	1	MOUNT, REAR INNER DIESEL ENG
12	600899	1	MOUNT, FRONT DIESEL ENG
13	600925	3	BOLT, M10-1.50 X 60 HH
14	600945	12	LOCK WASHER, M10
15	620081	1	MOUNT, HARNESS
16	620082	12	BOLT, M10-1.25 X 25 HH ZP
17	620234	1	ENGINE, DSL, KUBOTA V1505
18	PART OF 620234	1	SWITCH, WATER TEMP (603000)
19	PART OF 620234	1	SWITCH, OIL PRESSURE (603001)
20	REF.	-	FRAME
21	REF.	-	FRAME

**ENGINE MOUNT GROUP - GAS (730164)**

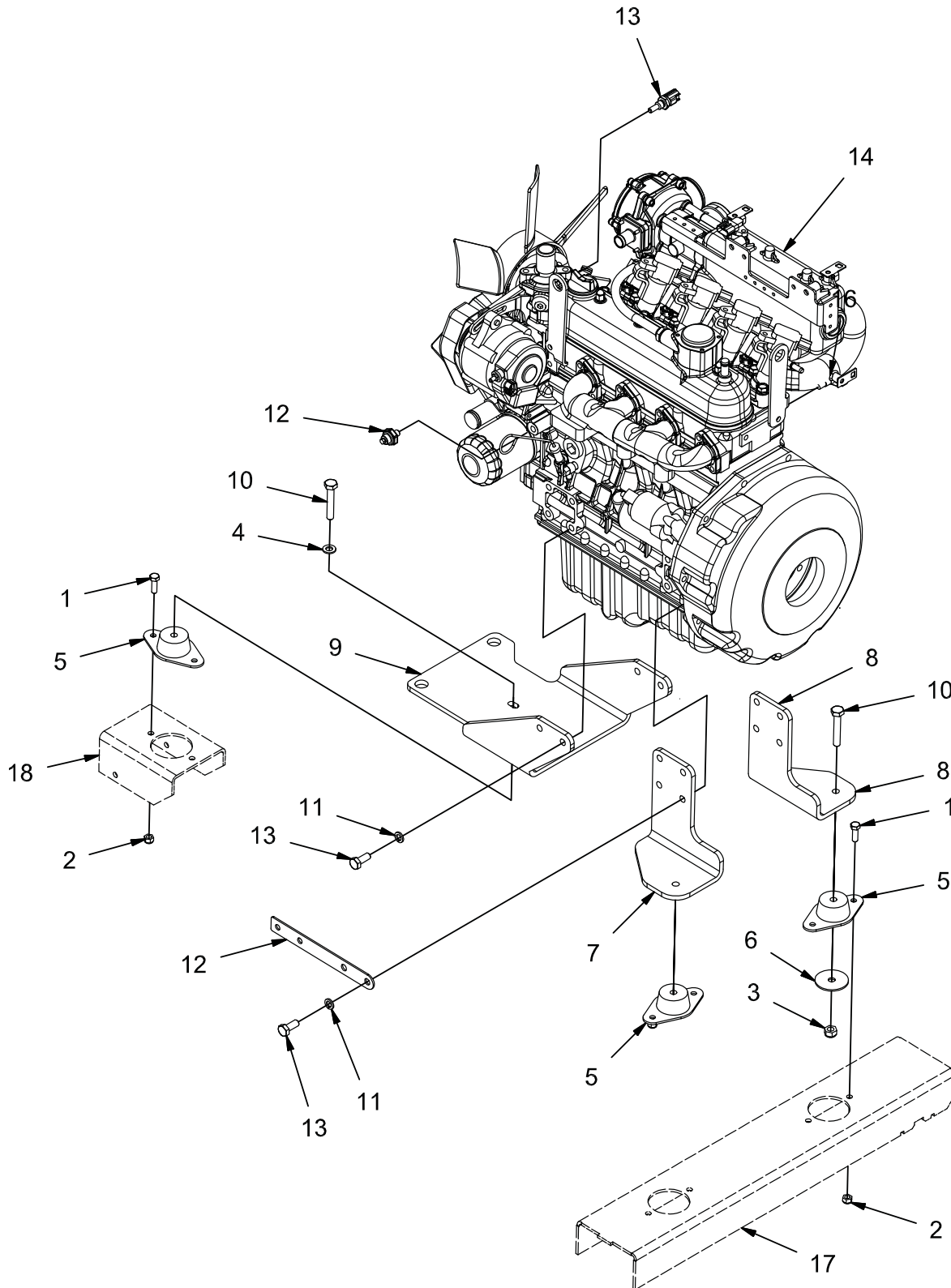


REV \*

**ENGINE MOUNT GROUP - GAS (730164)**

Parts List 730164			
ITEM	PART NUMBER	QTY	DESCRIPTION
1	11038247	6	BLT-HH M8-1.25 X 25 STL ZINC
2	12040051	6	NUT, M8-1.25 ESN
3	12040069	3	NUT, M10-1.50 ESN
4	12310058	1	WASHER, M10
5	600212	3	ISOLATOR, VIBRATION
6	600333	3	WASHER, SAFETY
7	600881	1	MOUNT, REAR OUTER DIESEL ENG
8	600882	1	MOUNT, REAR INNER DIESEL ENG
9	600899	1	MOUNT, FRONT DIESEL ENG
10	600925	3	BOLT, M10-1.50 X 60 HH
11	600945	12	LOCK WASHER, M10
12	620081	1	MOUNT, HARNESS
13	620082	12	BOLT, M10-1.25 X 25 HH ZP
14	620236	1	KUBOTA GAS ENGINE
15	PART OF 620236	1	SWITCH, OIL PRESSURE (603001)
16	PART OF 620236	1	SWITCH, WATER TEMP (603000)
17	REF.	-	FRAME
18	REF.	-	FRAME

**ENGINE MOUNT GROUP - LPG (730163)**



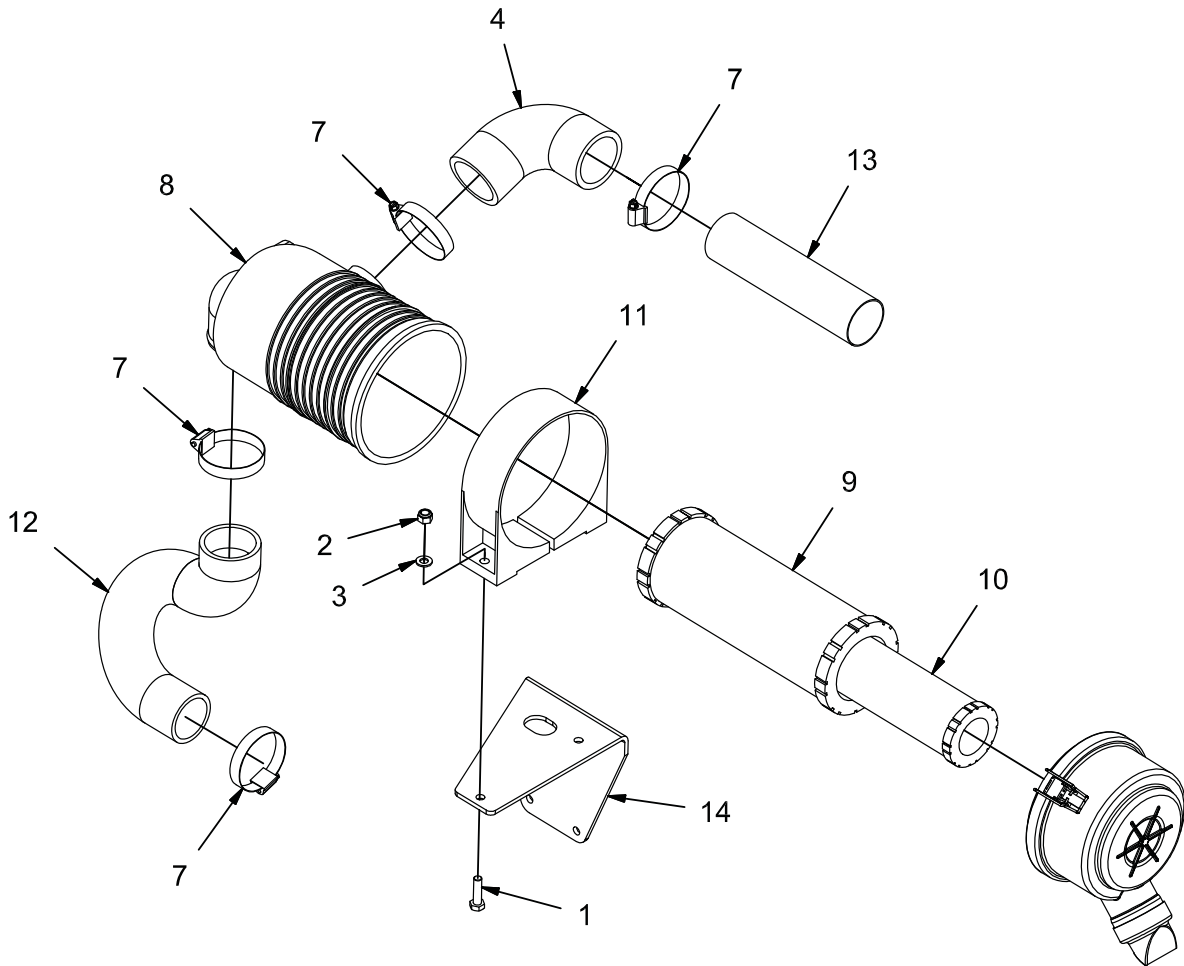
REV \*



**ENGINE MOUNT GROUP - LPG (730163)**

Parts List 730163			
ITEM	PART NUMBER	QTY	DESCRIPTION
1	11038247	6	BLT-HH M8-1.25 X 25 STL ZINC
2	12040051	6	NUT, M8-1.25 ESN
3	12040069	3	NUT, M10-1.50 ESN
4	12310058	1	WASHER, M10
5	600212	3	ISOLATOR, VIBRATION
6	600333	3	WASHER, SAFETY
7	600881	1	MOUNT, REAR OUTER DIESEL ENG
8	600882	1	MOUNT, REAR INNER DIESEL ENG
9	600899	1	MOUNT, FRONT DIESEL ENG
10	600925	3	BOLT, M10-1.50 X 60 HH
11	600945	12	LOCK WASHER, M10
12	620081	1	MOUNT, HARNESS
13	620082	12	BOLT, M10-1.25 X 25 HH ZP
14	620235	1	KUBOTA ENGINE - LPG
15	PART OF 620235	1	SWITCH, OIL PRESSURE (603001)
16	PART OF 620235	1	SWITCH, WATER TEMP (603000)
17	REF.	-	FRAME
18	REF.	-	FRAME

**AIR CLEANER GROUP - DIESEL (730131)**

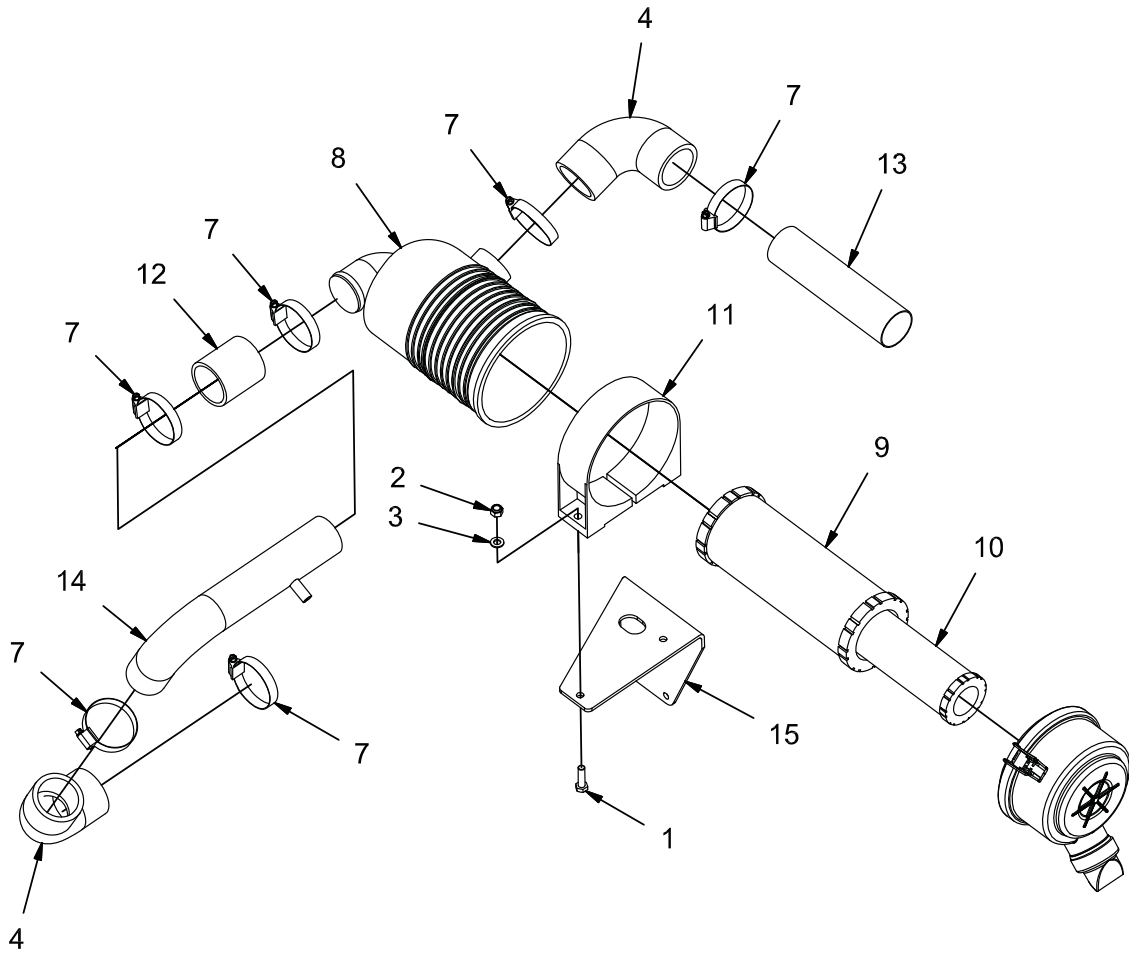


**REV A**

**AIR CLEANER GROUP - DIESEL (730131)**

Parts List 730131			
ITEM	PART NUMBER	QTY	DESCRIPTION
1	11038254	2	BOLT, M8-125 X 30 HH
2	12040051	2	NUT, M8-1.25 ESN
3	12310041	2	WASHER, M8
4	3300396	1	ADAPTER, 2" 90
5	3303991	1	INDICATOR, FLTR SERVICE
6	3305640	1	FITTING, NIPPLE
7	3312189	4	CLAMP, HOSE, 2.00
8	3317917	1	HOUSING, AIR FLTR
9	3321143	1	ELEMENT, FLTR, PRIMARY
10	3322572	1	ELEMENT, FLTR, SAFETY
11	600385	1	MOUNTING BAND, AIR CLEANER
12	730319	1	HOSE, AIR INTAKE, DIESEL
13	730393	1	TUBE, AIR CLEANER INTAKE
14	731188	1	MOUNT, AIR CLEANER

**AIR CLEANER GROUP - GAS (730129)**

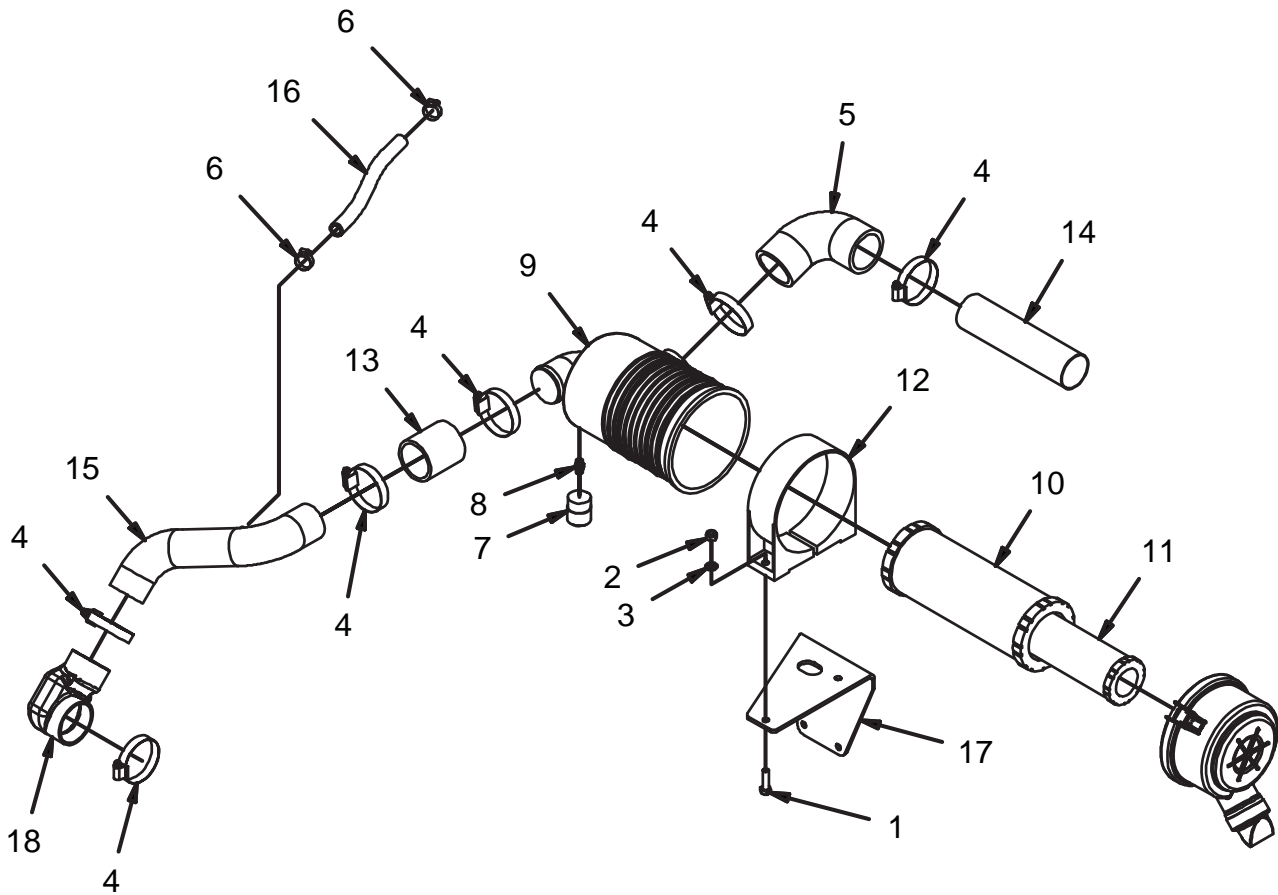


**REV B**

**AIR CLEANER GROUP - GAS (730129)**

Parts List 730129			
ITEM	PART NUMBER	QTY	DESCRIPTION
1	11038254	2	BOLT, M8-125 X 30 HH
2	12040051	2	NUT, M8-1.25 ESN
3	12310041	2	WASHER, M8
4	3300396	2	ADAPTER, 2" 90
5	3303991	1	INDICATOR, FLTR SERVICE
6	3305640	1	FITTING, NIPPLE
7	3312189	6	CLAMP, HOSE, 2.00
8	3317917	1	HOUSING, AIR FLTR
9	3321143	1	ELEMENT, FLTR, PRIMARY
10	3322572	1	ELEMENT, FLTR, SAFETY
11	600385	1	MOUNTING BAND, AIR CLEANER
12	600580	1	HOSE, 2.00 X 2.50
13	730393	1	TUBE, AIR CLEANER INTAKE
14	731110	1	WELDMENT, GAS AIR INTAKE
15	731188	1	MOUNT, AIR CLEANER

**AIR CLEANER GROUP - LPG (730130)**

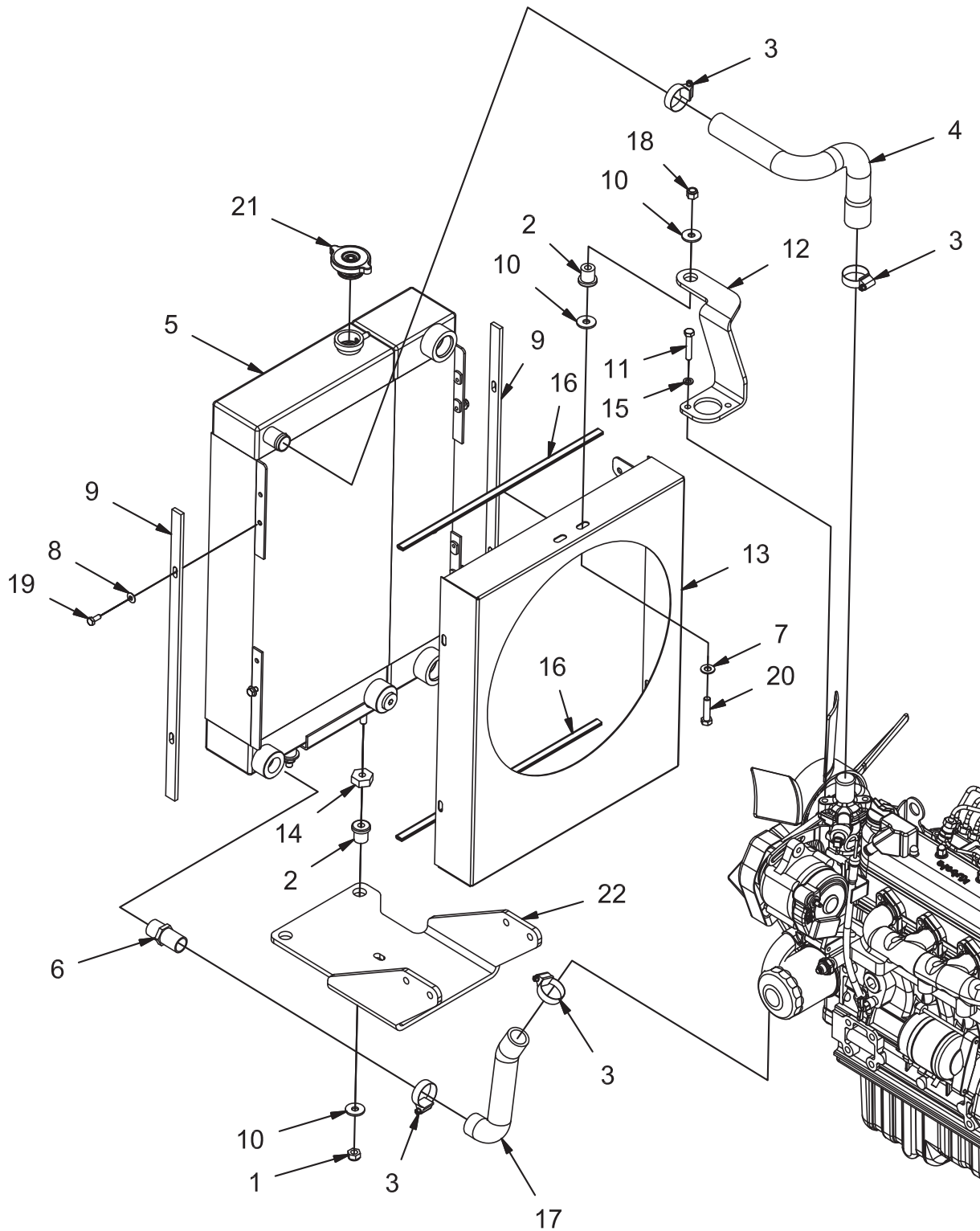


**REV C**

**AIR CLEANER GROUP - LPG (730130)**

Parts List 730130			
ITEM	PART NUMBER	QTY	DESCRIPTION
1	11038254	2	BOLT, M8-125 X 30 HH
2	12040051	2	NUT, M8-1.25 ESN
3	12310041	2	WASHER, M8
4	3044112	6	CLAMP, HOSE
5	3300396	1	ADAPTER, 2" 90
6	3300535	2	CLAMP, HOSE, .50
7	3303991	1	INDICATOR, FLTR SERVICE (INCLUDES 3305640)
8	3305640	1	FITTING, NIPPLE (SERVICE PART)
9	3317917	1	HOUSING, AIR FLTR (INCLUDES FILTER ELEMENTS)
10	3321143	1	ELEMENT, FLTR, PRIMARY (SERVICE PART)
11	3322572	1	ELEMENT, FLTR, SAFETY (SERVICE PART)
12	600385	1	MOUNTING BAND, AIR CLEANER
13	600580	1	HOSE, 2.00 X 2.50
14	730393	1	TUBE, AIR CLEANER INTAKE
15	731128	1	WELDMENT, LPG AIR INTAKE
16	731175	1	PCV HOSE
17	731188	1	MOUNT, AIR CLEANER
18	PART OF ENGINE	1	COBRA AIR CUFF

**RADIATOR GROUP (730132)**



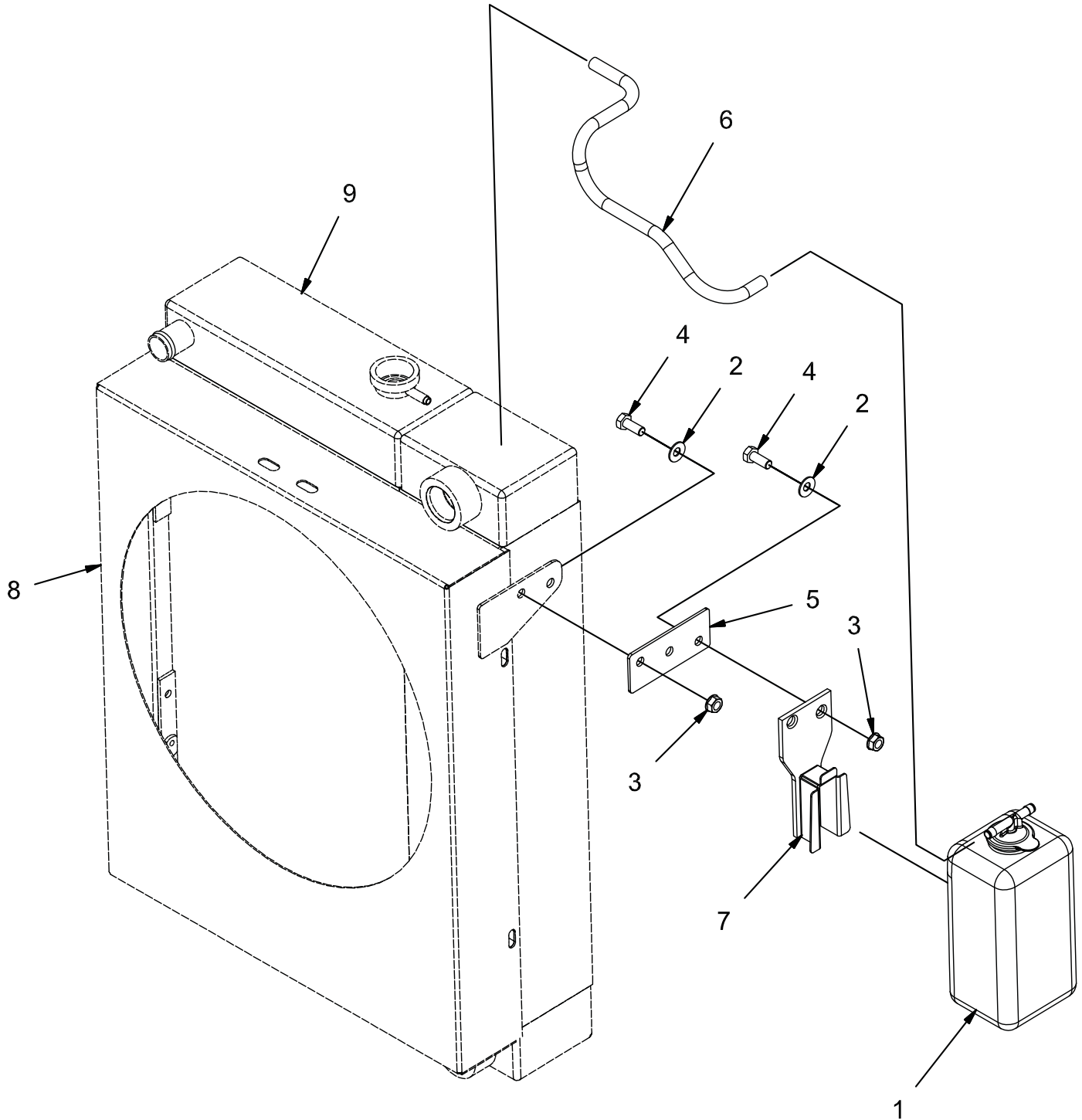
**REV B**



**RADIATOR GROUP (730132)**

Parts List 730132			
ITEM	PART NUMBER	QTY	DESCRIPTION
1	12040069	2	NUT, M10-1.50 ESN
2	3300465	3	ISOLATOR, VIB
3	3302193	4	CLAMP, HOSE, .75 - 1.25
4	3332643	1	HOSE, UPPER RAD, DIESEL
5	3336679-1	1	RADIATOR - OIL COOLER
6	3344231	1	FITTING, RADIATOR
7	3400087	1	WASHER, 3/8
8	3400383	4	WASHER, 1/4 BELLEVILLE
9	600198	2	SPACER, SHROUD
10	600363	4	WASHER, ISOLATOR
11	600820	2	BOLT, M8-1.25 X 45 HH
12	600867	1	MOUNT, UPPER SHROUD, DIESEL
13	600875	1	WELDMENT, FAN SHROUD, DIESEL
14	600884	2	SPACER, ISOLATOR
15	600959	2	LOCK WASHER, M8
16	620064	2	SEAL, SHROUD
17	690020	1	HOSE, LOWER RADIATOR
18	711380	1	NUT, FIBER INSERT 3/8-16
19	713001	4	SCREW, 1/4-20 X .625 HHC
20	713044	1	SCREW, 3/8-16 X 1.50 HHC
21	PART OF 3336679	1	RADIATOR CAP
22	REF	-	FRONT ENGINE MOUNT
23	REF.	-	ENGINE, DIESEL

**RADIATOR OVERFLOW BOTTLE GROUP (730133)**

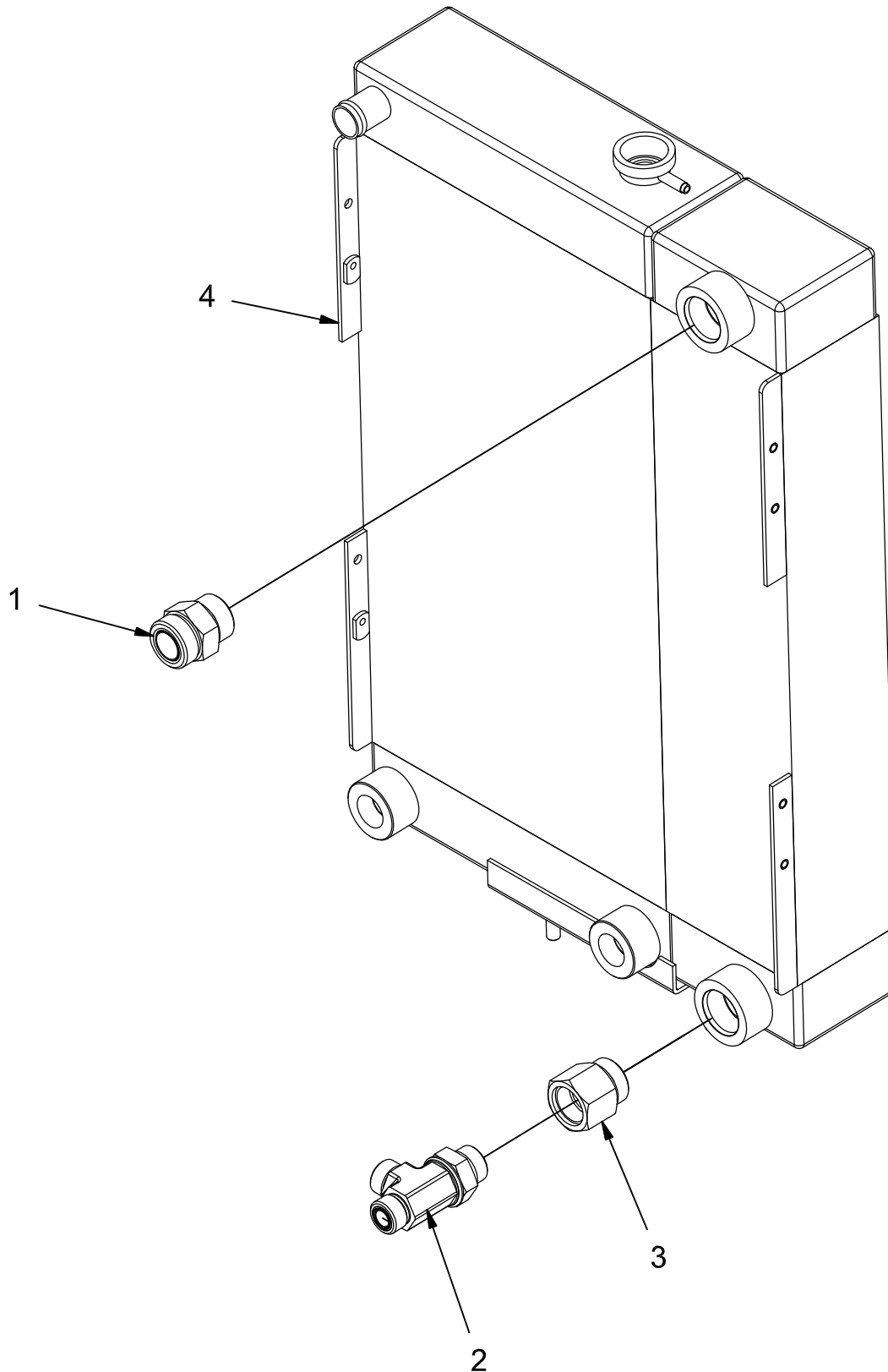


**REV A**

**RADIATOR OVERFLOW BOTTLE GROUP (730133)**

Parts List 730133			
ITEM	PART NUMBER	QTY	DESCRIPTION
1	3318752	1	OVERFLOW BOTTLE
2	3400384	3	WASHER, 5/16 BELLEVILLE
3	600934	3	NUT, M8-1.25 FLNG
4	717024	3	BOLT, M8-1.25 X 20 HH
5	731165	1	MOUNT, OVERFLOW BOTTLE
6	PART OF 3318752	1	HOSE, OVERFLOW
7	PART OF 3318752	1	BRACKET, BOTTLE
8	REF.	-	FAN SHROUD, DIESEL
9	REF.	-	RADIATOR

**OIL COOLER GROUP (730134)**

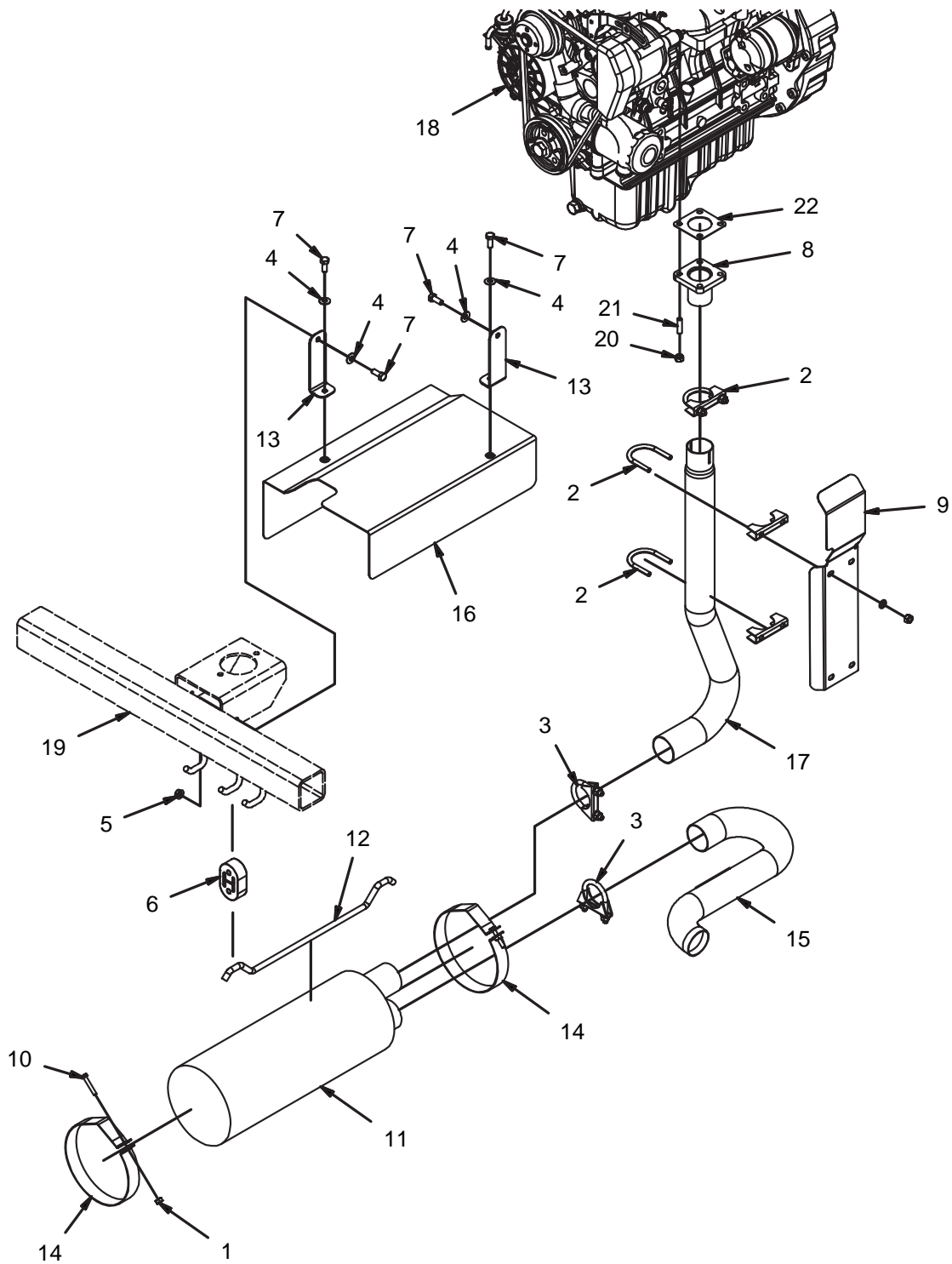


REV \*

**OIL COOLER GROUP (730134)**

Parts List			
ITEM	PART NUMBER	QTY	DESCRIPTION
1	675505	1	FITTING, STR, 16 ORFS - 16 SAE
2	675554	1	FITTING, TEE, 10 ORFS - 12 SAE
3	675558	1	FITTING, REDUCER, 16 O-RING TO 12 O-RING
4	REF	-	RADIATOR - OIL COOLER

**EXHAUST GROUP - DIESEL (730154)**

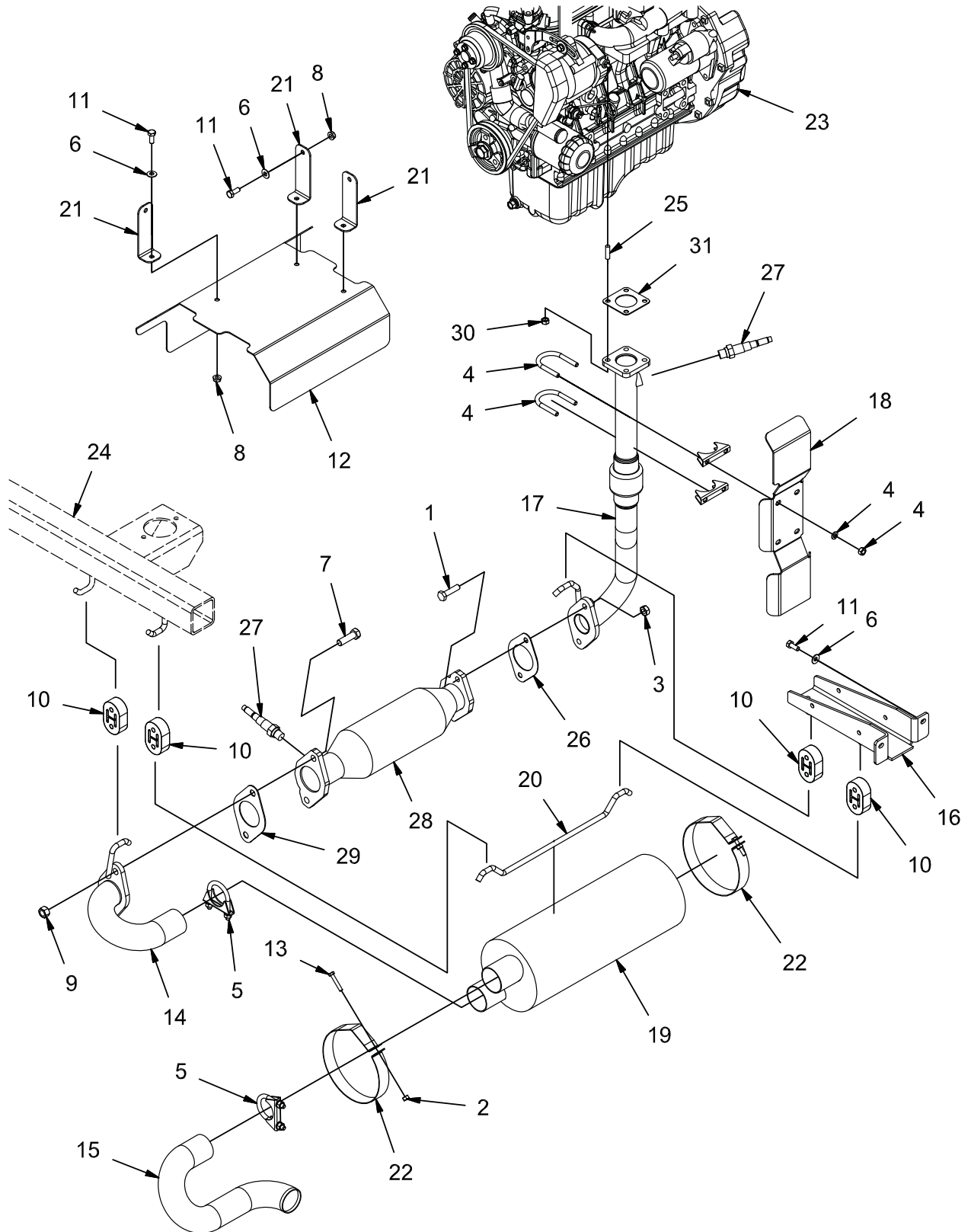


**REV D**

**EXHAUST GROUP - DIESEL (730154)**

Parts List - 730154			
ITEM	PART NUMBER	QTY	DESCRIPTION
1	12022042	2	NUT, M6-1.00 HEX
2	3301640	3	CLAMP, 1.75
3	3302917	2	CLAMP, EXHAUST, 2 IN
4	3400384	4	WASHER, 5/16 BELLEVILLE
5	600934	1	NUT, M8-1.25 FLNG
6	620205	1	EXHAUST ISOLATOR
7	717024	4	BOLT, M8-1.25 X 20 HH
8	730409	1	WELDMENT, EXHAUST STUB
9	730419	1	HEAT SHIELD
10	730508	2	BOLT, M6-1.00 X 35 HH FULL THREAD SS
11	731177	1	MUFFLER
12	731178	1	HANGER, MUFFLER
13	731179	2	MOUNT, HEAT SHIELD
14	731180	2	STRAP, MUFFLER
15	731219	1	TAIL PIPE
16	731220-1	1	ASSEMBLY, HEAT SHIELD - DIESEL
17	731222	1	EXHAUST PIPE - DIESEL
18	REF.	-	ENGINE
19	REF.	-	FRAME
20	WITH ENGINE	4	NUT, M8-1.25 SS
21	WITH ENGINE	4	STUD, M8-1.25
22	WITH ENGINE	1	GASKET, EXHAUST

**EXHAUST GROUP - LPG (730135)**



**REV E**



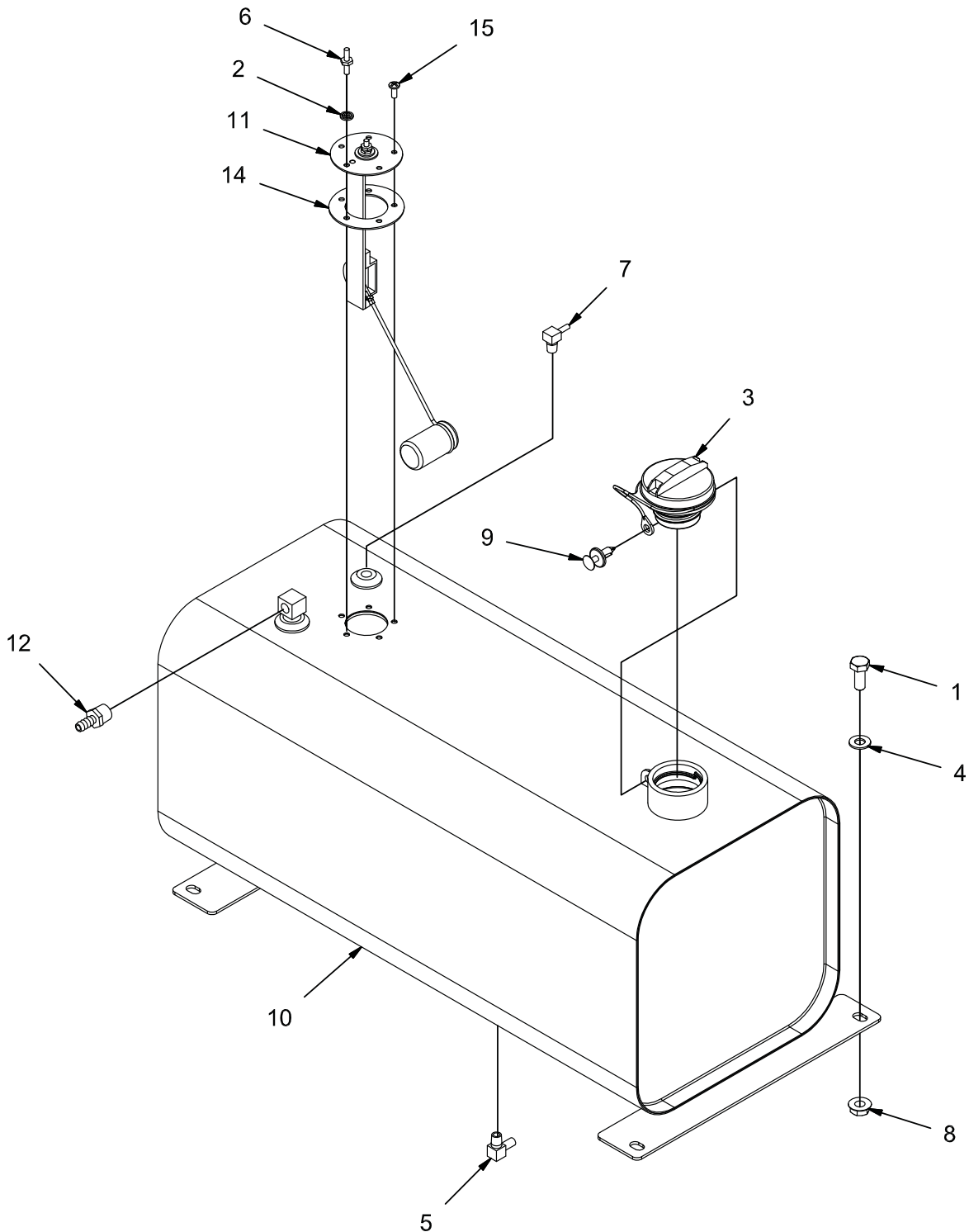
**EXHAUST GROUP - LPG (730135)**

Parts List - 730135			
ITEM	PART NUMBER	QTY	DESCRIPTION
1	11038395	2	BOLT, M10-1.50 X 40 HH
2	12022042	2	NUT, M6-1.00 HEX
3	12022067	2	NUT, M10-1.50 HEX
4	3301641	2	CLAMP, EXHAUST
5	3302917	2	CLAMP, EXHAUST
6	3400384	8	WASHER, 5/16 BELLEVILLE
7	600928	2	BOLT, M12-1.75 X 40 HH
8	600934	6	NUT, M8-1.25 FLNG
9	600949	2	NUT, M12-1.75
10	620205	4	EXHAUST ISOLATOR
11	717024	8	BOLT, M8-1.25 X 20 HH
12	730418	1	HEAT SHIELD
13	730508	2	BOLT, M6-1.00 X 35 HH FULL THREAD SS
14	730655	1	WELDMENT, EXHAUST PIPE
15	730656	1	TAIL PIPE
16	730659	1	WELDMENT, EXHAUST HANGER
17	730660	1	WELDMENT, EXHAUST PIPE, GAS - LPG
18	730665	1	HEAT SHIELD
19	731177	1	MUFFLER
20	731178	1	HANGER, MUFFLER
21	731179	3	MOUNT, HEAT SHIELD
22	731180	2	STRAP, MUFFLER
23	REF.	-	ENGINE
24	REF.	-	FRAME
25	WITH ENGINE	4	STUD, M8-1.25
26	WITH ENGINE	1	GASKET, EXHAUST
27	WITH ENGINE	2	O2 SENSOR (603016)
28	WITH ENGINE	1	MUFFLER/CATALYTIC CONVERTER
29	WITH ENGINE	1	GASKET, EXHAUST
30	WITH ENGINE	4	NUT, M8-1.25 SS
31	WITH ENGINE	1	GASKET, EXHAUST

**EXHAUST GROUP - GAS (730178)**

**EXHAUST GROUP - (730178)**

FUEL TANK MOUNT GROUP - DIESEL (730140)

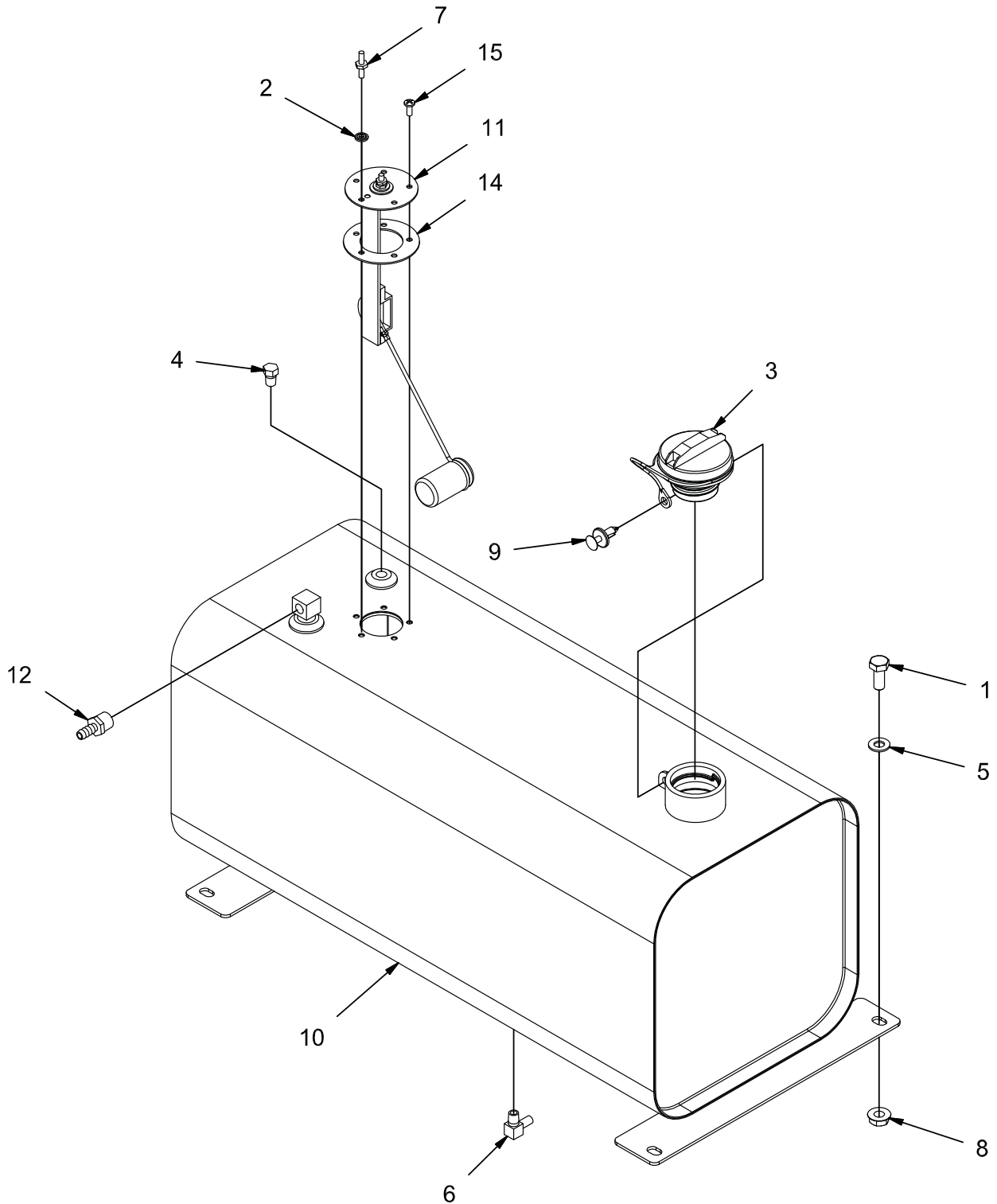


REV B

**FUEL TANK MOUNT GROUP - DIESEL (730140)**

Parts List 730140			
ITEM	PART NUMBER	QTY	DESCRIPTION
1	11038346	4	BOLT, M10-1.50 X 25 HH
2	3337019	1	SEAL, #10
3	3343413	1	CAP, FUEL TANK
4	3400385	4	WASHER, 3/8, BELLEVILLE
5	3401445	1	FITTING, 90, 1/4 NPT X 5/16 BARB
6	3401579	1	SCREW, HEX, STANDOFF, 2X #10-32 X .50
7	3402022	1	FITTING, 90, 1/4 NPT X .184 BARB
8	600936	4	NUT, M10-1.50 FLNG
9	600965	1	FASTENER, PRESS-IN
10	730313	1	TANK, FUEL
11	730322	1	SENDING UNIT, FUEL LEVEL
12	731387	1	FITTING, 3/8 NPT TO 5/16 HOSE BARB, BRASS
13	748990-1	1	HARNESS, FUEL PUMP
14	PART OF 730322	1	GASKET
15	PART OF 730322	4	SCREW #10-32 X .50

**FUEL TANK MOUNT GROUP - GAS (730139)**

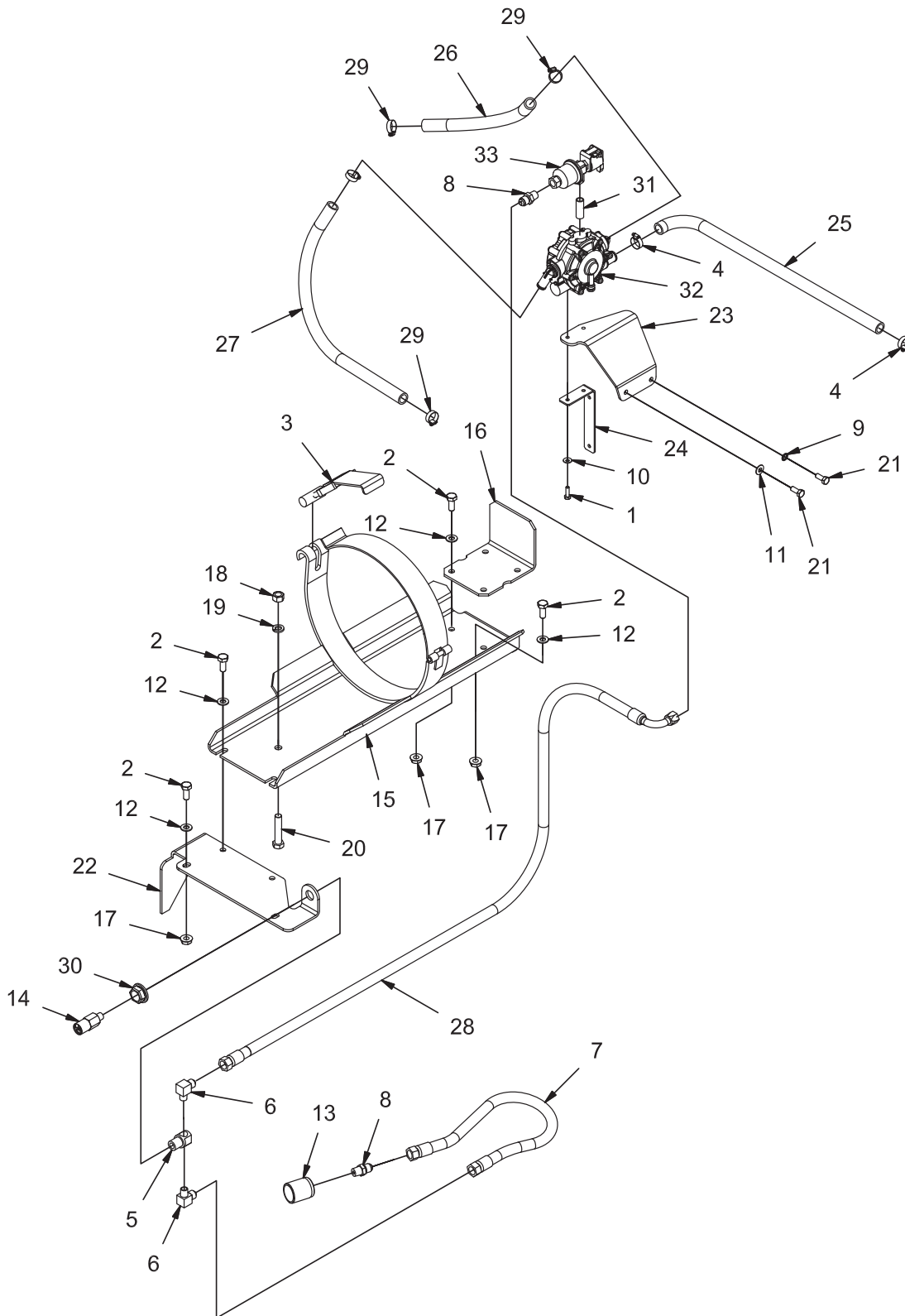


REV C

**FUEL TANK MOUNT GROUP - GAS (730139)**

Parts List 730139			
ITEM	PART NUMBER	QTY	DESCRIPTION
1	11038346	4	BOLT, M10-1.50 X 25 HH
2	3337019	1	SEAL, #10
3	3343413	1	CAP, FUEL TANK
4	3400256	1	PLUG, 1/4 NPT
5	3400385	4	WASHER, 3/8, BELLEVILLE
6	3401445	1	FITTING, 90, 1/4 NPT X 5/16 BARB
7	3401579	1	SCREW, HEX, STANDOFF, 2X #10-32 X .50
8	600936	4	NUT, M10-1.50 FLNG
9	600965	1	FASTENER, PRESS-IN
10	730313	1	TANK, FUEL
11	730322	1	SENDING UNIT, FUEL LEVEL
12	731387	1	FITTING, 3/8 NPT - 5/16 HOSE BARB
13	748990-1	1	HARNESS, FUEL PUMP
14	PART OF 730322	1	GASKET
15	PART OF 730322	4	SCREW #10-32 X .50

**LPG TANK MOUNT GROUP (730138)**



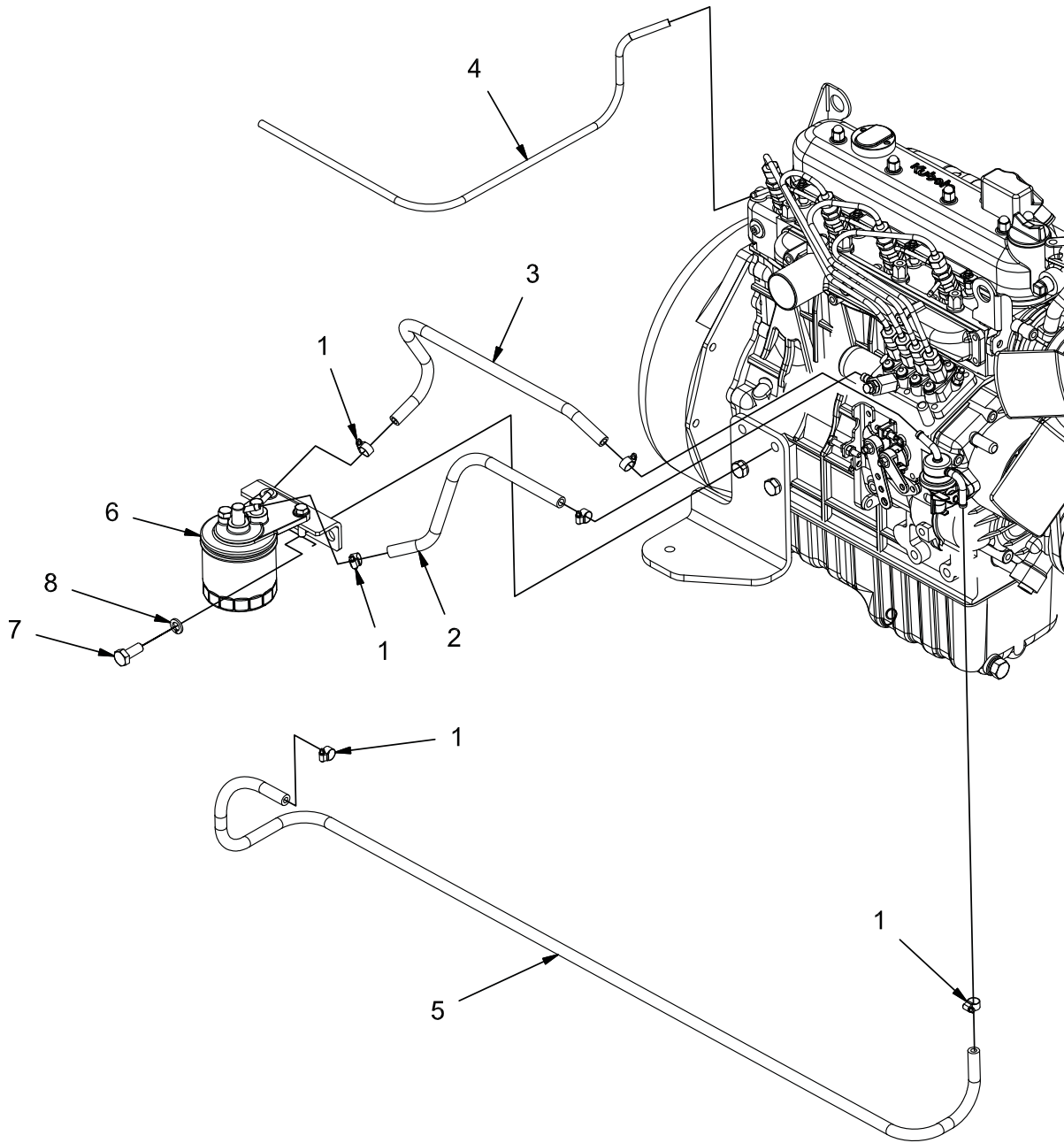
**REV E**



**LPG TANK MOUNT GROUP (730138)**

Parts List - 730138			
ITEM	PART NUMBER	QTY	DESCRIPTION
1	11038098	2	BOLT, M6-100 X 20 HH
2	11038346	8	BOLT, M10-1.50 X 25 HH
3	220131	1	BUCKLE
4	3300535	2	CLAMP, HOSE, .50
5	3316511	1	BODY, VALVE MOUNT
6	3334037	2	FITTING, 90, BRASS, LPG
7	3335375	1	HOSE, LPG, TO TANK
8	3342097	2	FTG SAE 5/8-18 45 DEGREE FLARE
9	3400273	1	WASHER, STAR, .31, INT. ZP
10	3400383	2	WASHER, 1/4 BELLEVILLE
11	3400384	1	WASHER, 5/16 BELLEVILLE
12	3400385	8	WASHER, 3/8, BELLEVILLE
13	3400860	1	FTG-LP TANK CONNECT
14	3400862	1	LPG RELIEF VALVE
15	600459	1	WELDMENT, LPG MNT
16	600461	1	ANGLE, LPG STOP
17	600936	8	NUT, M10-1.50 FLNG
18	600949	1	NUT, M12-1.75
19	600961	1	LOCK WASHER, M12
20	620036	1	BOLT, M12-1.75 X 60 HH FULL THREAD
21	717024	2	BOLT, M8-1.25 X 20 HH
22	730533	1	MOUNT, LPG VALVE
23	730890	1	BRACKET, VAPORIZER
24	731164	1	MOUNT, FUSE BOX
25	731167	1	HOSE, VAPORIZER TO CARB
26	731173	1	HOSE, COOLANT, 5/8" ID X 15.0" LG
27	731174	1	HOSE, COOLANT, 5/8" ID X 43.0" LG
28	731186	1	HOSE, LPG TANK TO VAPORIZER
29	829129	4	CLAMP, HOSE
30	PART OF 3316511	1	NUT, VALVE MOUNT
31	PART OF ENGINE	1	FITTING, NIPPLE
32	PART OF ENGINE	1	VAPORIZER (13098-62401)
33	PART OF ENGINE	1	SOLENOID AND LOCK OFF (EG523-46951)

**FUEL LINE GROUP - DIESEL (730153)**

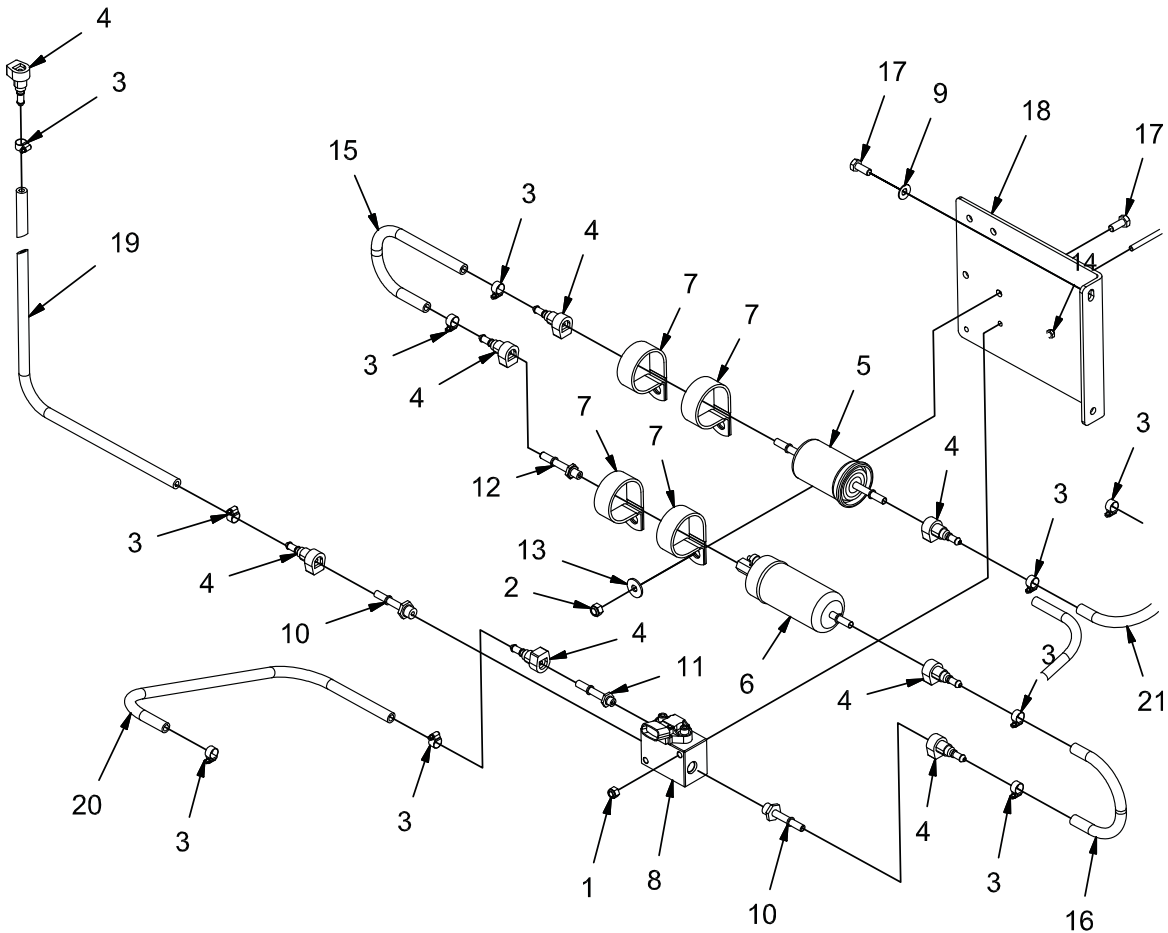


**REV \***

**FUEL LINE GROUP - DIESEL (730153)**

Parts List - 730153			
ITEM	PART NUMBER	QTY	DESCRIPTION
1	3302338	6	CLAMP, HOSE, .50
2	620001	1	HOSE,FUEL, 5/16 ID 12.00 LG, SAE30R7
3	620061	1	HOSE,FUEL, 5/16 ID 18.00 LG, SAE30R7
4	NO DWG	1	HOSE, FUEL, 1/8 ID SAE30R7
5	NO DWG	1	HOSE, FUEL, 5/16 ID SAE30R7
6	PART OF ENGINE	-	FUEL FILTER ASSEMBLY
7	REF.	-	BOLT, M10-1.50 X 25 HH
8	REF.	-	LOCK WASHER, M10
9	REF.	-	ENGINE, DIESEL

**FUEL COMPONENT GROUP (730141)**

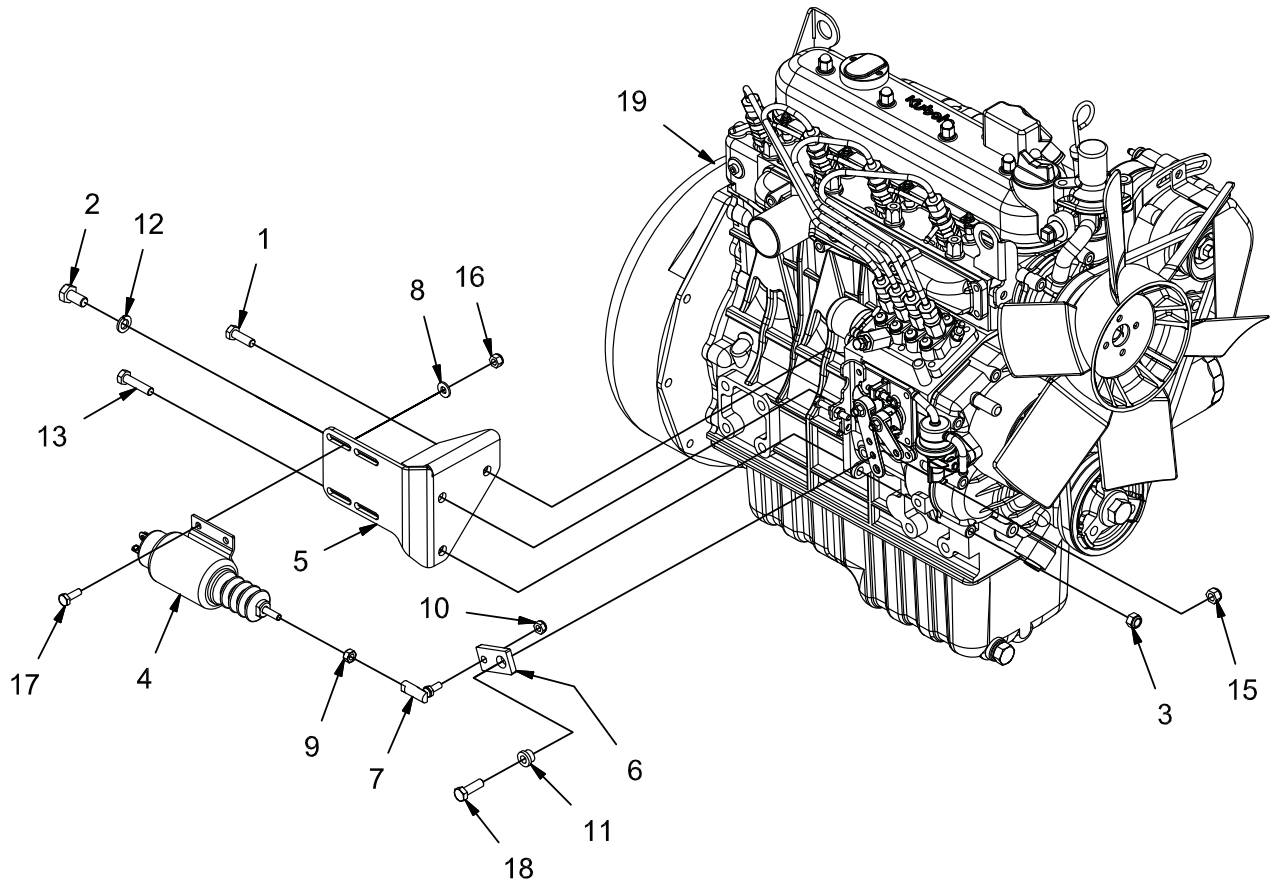


REV \*

**FUEL COMPONENT GROUP (730141)**

Parts List 730141			
ITEM	PART NUMBER	QTY	DESCRIPTION
1	12040044	2	NUT, M6-1.00 ESN
2	12040051	4	NUT, M8-1.25 ESN
3	3302338	10	CLAMP, HOSE, .50
4	3342207	8	FITTING, ADAPTER, FUEL
5	3342209	1	FILTER, FUEL
6	3343536	1	PUMP, FUEL
7	3343539	4	CLAMP, 2"
8	3343617	1	MANIFOLD, FUEL PRESS/TEMP
9	3400384	2	WASHER, 5/16 BELLEVILLE
10	3401088	2	FTG-ADAPTER, FUEL 1/2-20 W/O-RING
11	3401089	1	FTG-ADAPTER, FUEL 3/8-24 W/O-RING
12	3401090	1	FITTING & GASKET FOR FUEL PUMP
13	600940	4	WASHER, M8 FENDER
14	600953	2	BOLT, M6-1.00 X 50 HH
15	620001	1	HOSE,FUEL, 5/16 ID X 12.00 LG, SAE30R7
16	620002	1	HOSE,FUEL, 5/16 ID X 10.00 LG, SAE30R7
17	717024	6	BOLT, M8-1.25 X 20 HH
18	730311	1	MOUNT, FUEL FILTER
19	TBD	1	HOSE,FUEL, 5/16 ID SAE30R7 (TO ENGINE)
20	TBD	1	HOSE,FUEL, 5/16 ID SAE30R7 (FUEL RETURN)
21	TBD	1	HOSE,FUEL, 5/16 ID SAE30R7 (FROM TANK)

**THROTTLE SOLENOID GROUP - DIESEL (730151)**

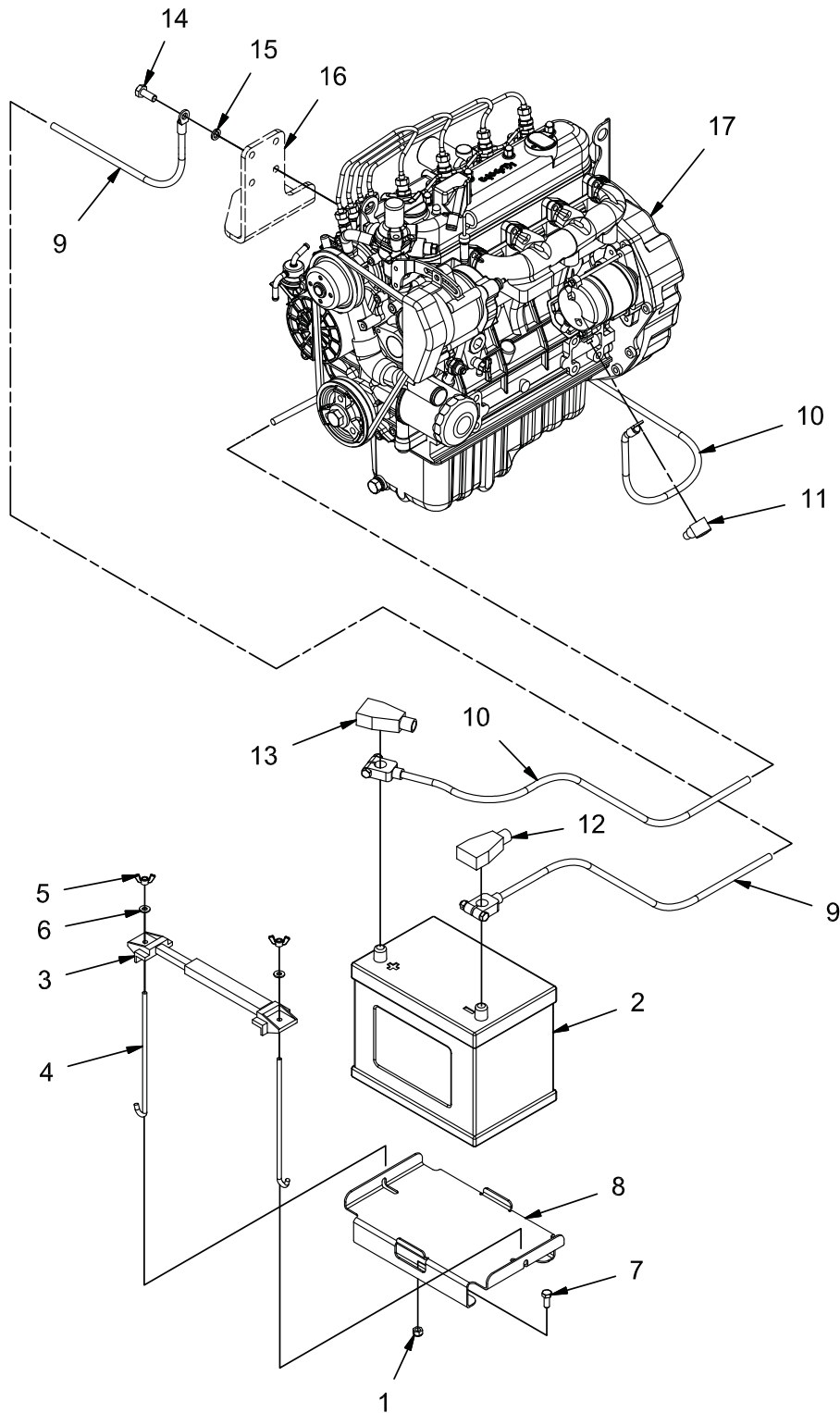


**REV A**

**THROTTLE SOLENOID GROUP - DIESEL (730151)**

Parts List - 730151			
ITEM	PART NUMBER	QTY	DESCRIPTION
1	11038247	1	BLT-HH M8-1.25 X 25 STL ZINC
2	11038353	1	BOLT, M10-1.50 X 20 HH
3	12040051	1	NUT, M8-1.25 ESN
4	3335303	1	SOLENOID, THROTTLE
5	3335358	1	BRACKET, THROTTLE SOLENOID
6	3335364	1	PLT, KBA V1505 DSL SOLENOID THROTTLE
7	3342225	1	BALL JOINT, 1/4-28 STD LG
8	3400089	4	WASHER, 1/4 .625 X .281 X .063
9	3400180	1	NUT, 1/4-28
10	3400373	1	NUT, LOW HEIGHT 1/4-28 ESN
11	3401071	1	BUSHING, FLNG, .312 ID X .50 OD X .375
12	3401458	1	LOCK WASHER, M10
13	600918	1	BOLT, M8-125 X 35 HH
14	600959	2	LOCK WASHER, M8
15	711374	1	NUT, FIBER INSERT 5/16-18
16	711373	4	NUT, FIBER INSERT 1/4-20
17	713002	4	SCREW, 1/4-20 X .750 HHC
18	713027	1	SCREW, 5/16-18 X 1.000 HHM
19	REF.	-	ENGINE, DIESEL

**BATTERY GROUP (730142)**



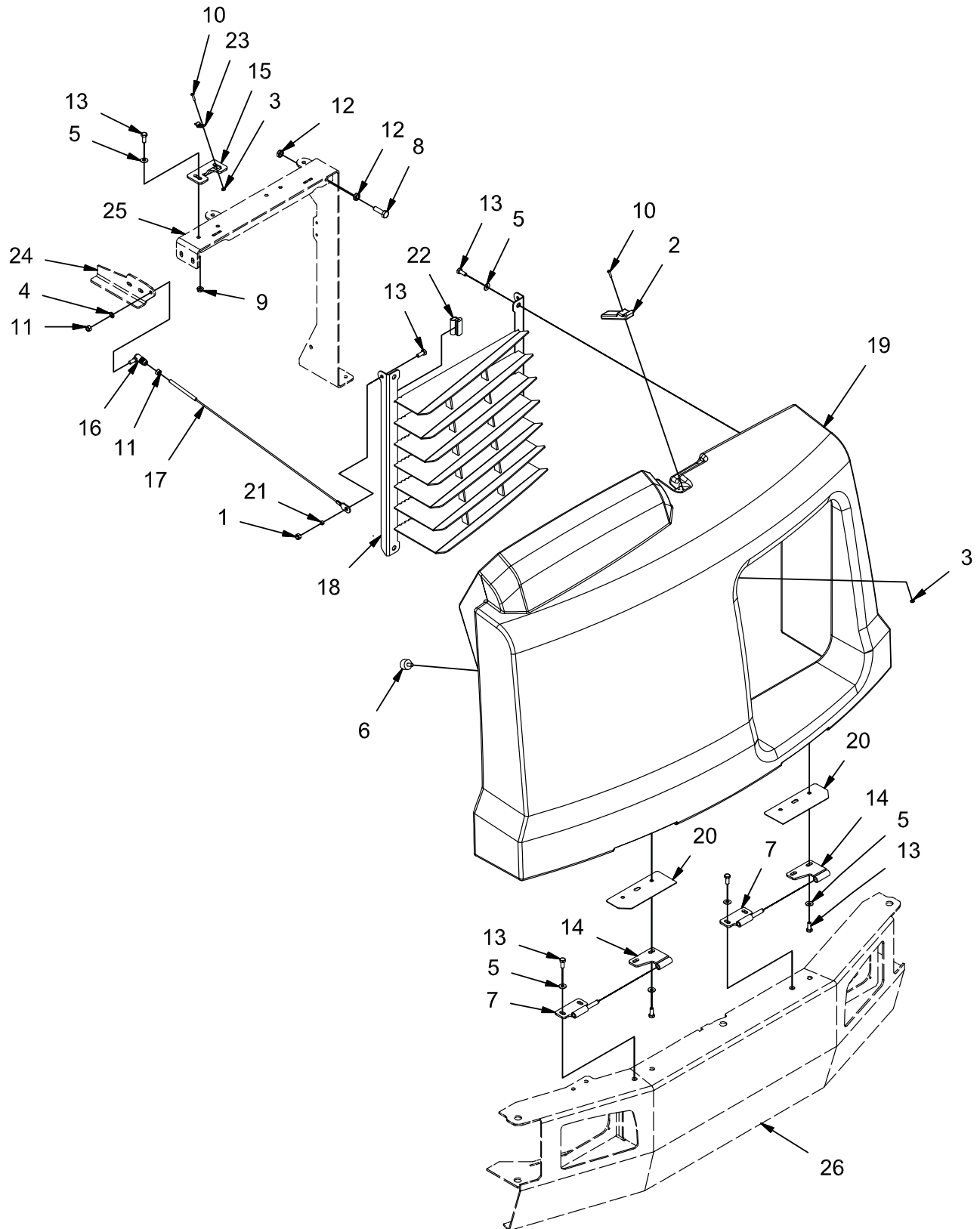
**REV A**



**BATTERY GROUP (730142)**

Parts List 730142			
ITEM	PART NUMBER	QTY	DESCRIPTION
1	12040051	2	NUT, M8-1.25 ESN
2	3300440	1	BATTERY, 12V
3	3301076	1	HOLD DOWN, BATTERY
4	3301079	2	ROD, BATTERY TIE DOWN
5	3400085	2	WING NUT, 1/4-20 ZP
6	3400089	2	WASHER, 1/4 .625 X .281 X .063
7	717024	2	BOLT, M8-1.25 X 20 HH
8	730390	1	TRAY, BATTERY
9	748993	1	CABLE, BATTERY, NEG
10	748994	1	CABLE, BATTERY, POS
11	742740	1	BOOT, TERM, RED
12	PART OF CABLE	1	BOOT, BATTERY, BLACK
13	PART OF CABLE	1	BOOT, BATTERY, RED
14	REF.	-	BOLT, M10-1.25 X 25 HH ZP
15	REF.	-	LOCK WASHER, M10
16	REF.	-	ENGINE MOUNT
17	REF.	-	ENGINE

**FRONT COVER GROUP (730143)**

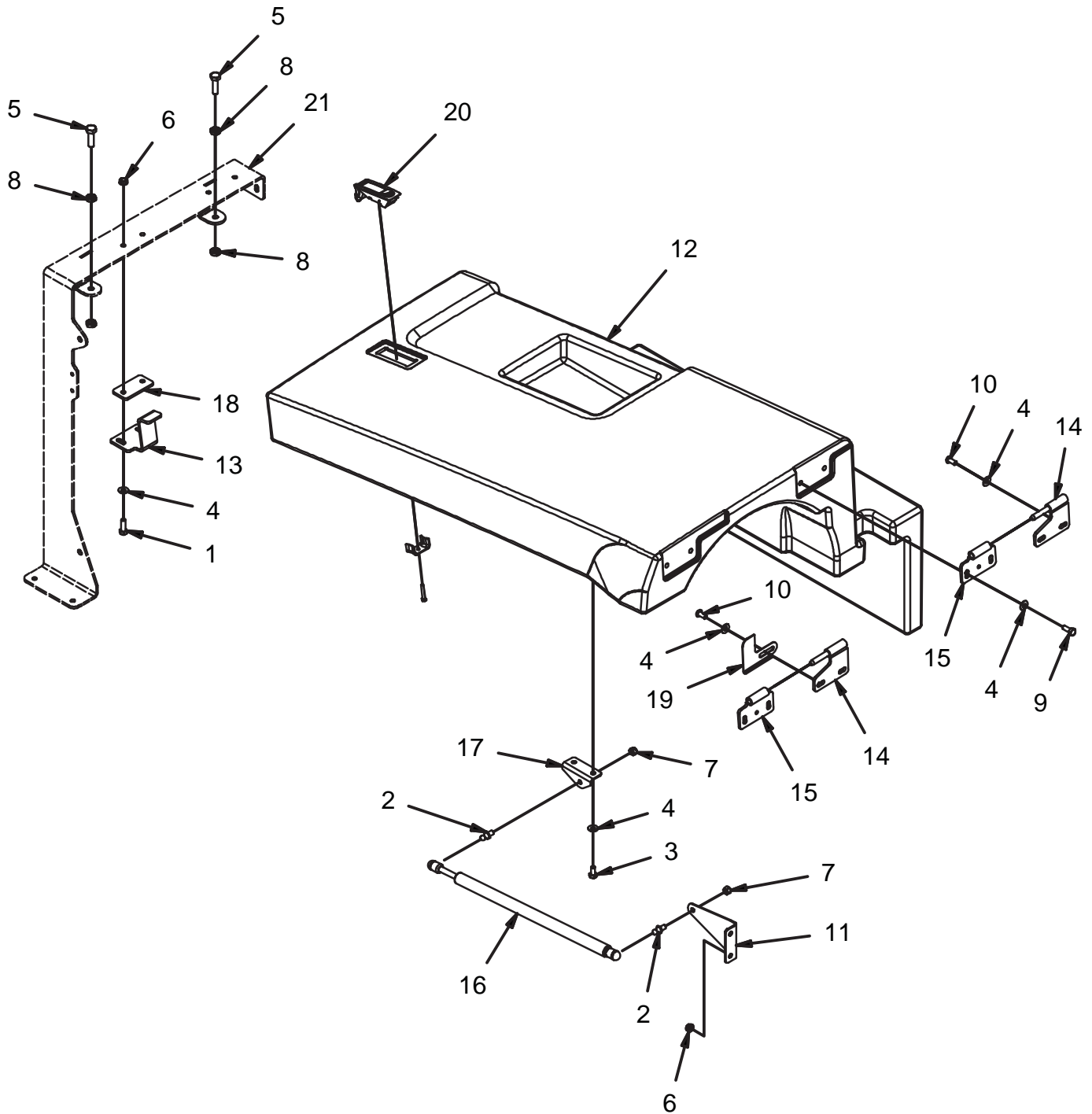


**REV C**

**FRONT COVER GROUP (730143)**

Parts List 730143			
ITEM	PART NUMBER	QTY	DESCRIPTION
1	12040051	1	NUT, M8-1.25 ESN
2	3307719	1	DRAW LATCH
3	3400082	4	NUT, FIBER INSERT #8-32
4	3400102	1	LOCK WASHER, 5/16 HS MED
5	3400384	14	WASHER, 5/16 BELLEVILLE
6	600220	1	BUMPER, 1.00 X .625 T
7	600383	2	WELDMENT, HINGE, MALE, LG
8	600924	1	BOLT, M10-1.50 X 35 HH FULL THRD
9	600934	2	NUT, M8-1.25 FLNG
10	710230	4	SCREW, #8-32 X .62 PAN HD
11	711322	2	NUT, HEX 5/16-24 ZP
12	717014	2	NUT, M10-1.50 JAM
13	717024	15	BOLT, M8-1.25 X 20 HH
14	730407	2	WELDMENT, HINGE, FEM
15	730429	1	MOUNT, STRIKER
16	730430	1	BALL JOINT, .312, QUICK RELEASE
17	730431	1	CABLE ASSEMBLY
18	730434	1	WELDMENT, GRILL
19	730446	1	FRONT COVER
20	730447	2	COVER, HINGE
21	730448	1	SPACER, .328 B .375 OD .188 T
22	731265	1	EDGING, GRILL
23	PART OF 3307719	1	KEEPER
24	REF	-	CONSOLE MTG ANGLE
25	REF	-	COVER FRAME
26	REF	-	FRAME

**TOP COVER GROUP (730144)**

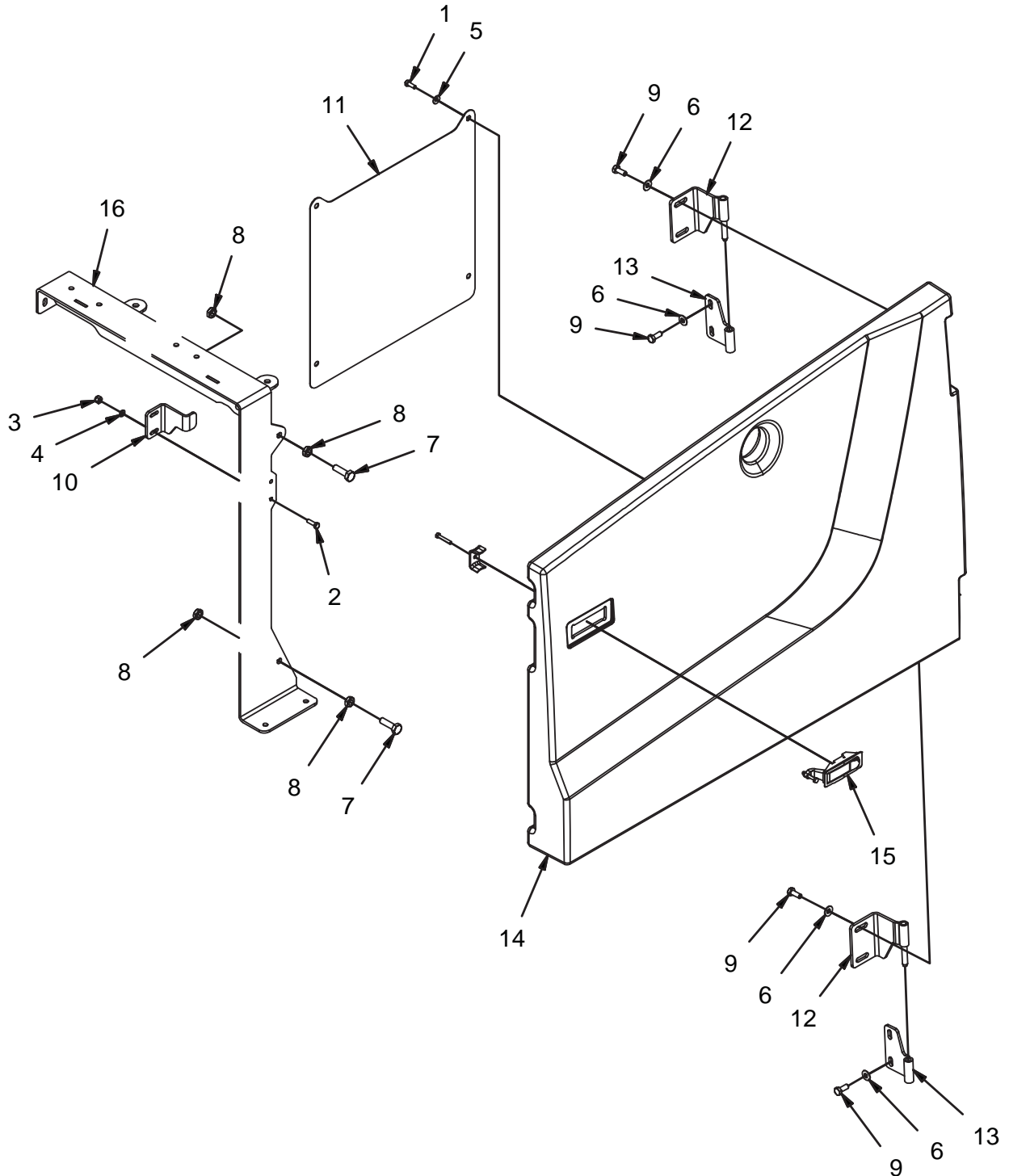


**REV D**

## TOP COVER GROUP (730144)

Parts List 730144			
ITEM	PART NUMBER	QTY	DESCRIPTION
1	11038247	2	BLT-HH M8-1.25 X 25 STL ZINC
2	3300376	2	STUD, 10MM BALL
3	3400291	2	BOLT, M8-1.25 X 16 HH
4	3400384	12	WASHER, 5/16 BELLEVILLE
5	600924	2	BOLT, M10-1.50 X 35 HH FULL THRD
6	600934	4	NUT, M8-1.25 FLNG
7	711374	2	NUT, FIBER INSERT 5/16-18
8	717014	4	NUT, M10-1.50 JAM
9	717024	3	BOLT, M8-1.25 X 20 HH
10	730399	4	SCREW, M8-1.25 X 16 BUTTON HD CAP CZP
11	730433	1	MOUNT, GAS STRUT
12	730450	1	TOP COVER
13	730452	1	STRIKER, TOP COVER
14	730454	2	WELDMENT, HINGE, MALE
15	730456	2	WELDMENT, HINGE, FEM
16	730457	1	GAS STRUT, 30.9 EXT X 13.8 STK
17	730459	1	ANGLE, GAS STRUT MNT
18	730461	1	BAR, SPACER
19	731132	1	RETAINER, COVER
20	731433	1	LATCH
21	REF	-	COVER FRAME

**SIDE DOOR GROUP (730145)**

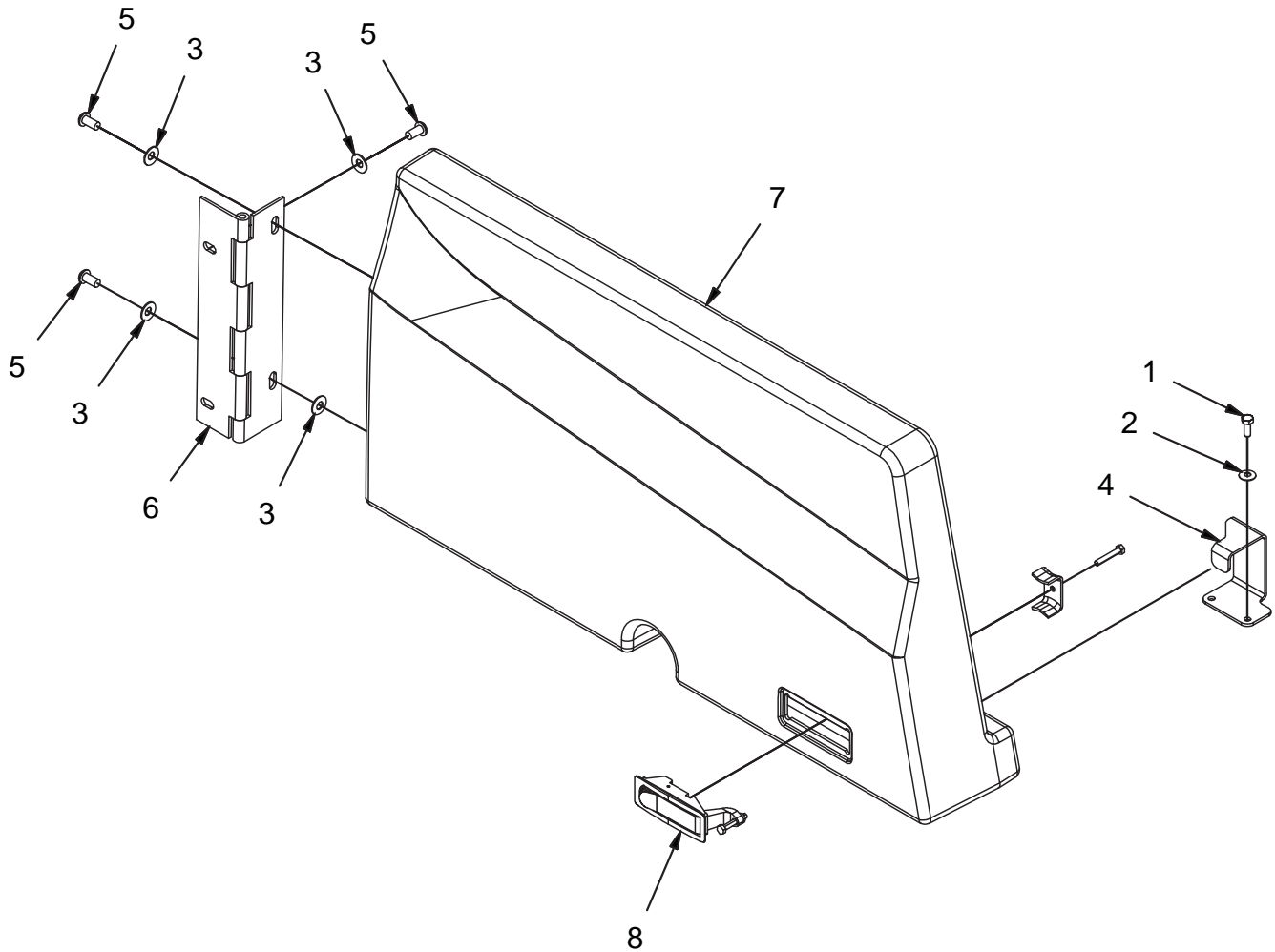


**REV B**

## SIDE DOOR GROUP (730145)

Parts List 730145			
ITEM	PART NUMBER	QTY	DESCRIPTION
1	11038072	4	BOLT, M6-1.00 X 16 HH
2	11038098	2	BOLT, M6-100 X 20 HH
3	12040044	2	NUT, M6-1.00 ESN
4	12310033	2	WASHER, M6
5	3400383	4	WASHER, 1/4 BELLEVILLE
6	3400384	8	WASHER, 5/16 BELLEVILLE
7	600924	2	BOLT, M10-1.50 X 35 HH FULL THRD
8	717014	4	NUT, M10-1.50 JAM
9	717024	8	BOLT, M8-1.25 X 20 HH
10	730403	1	STRIKER, DOOR
11	730404	1	SHIELD, HEAT
12	730405	2	WELDMENT, HINGE, MALE
13	730407	2	WELDMENT, HINGE, FEM
14	730428	1	DOOR, LEFT SIDE
15	731433	1	LATCH
16	REF.	-	COVER FRAME

**SEAT DOOR GROUP (730146)**



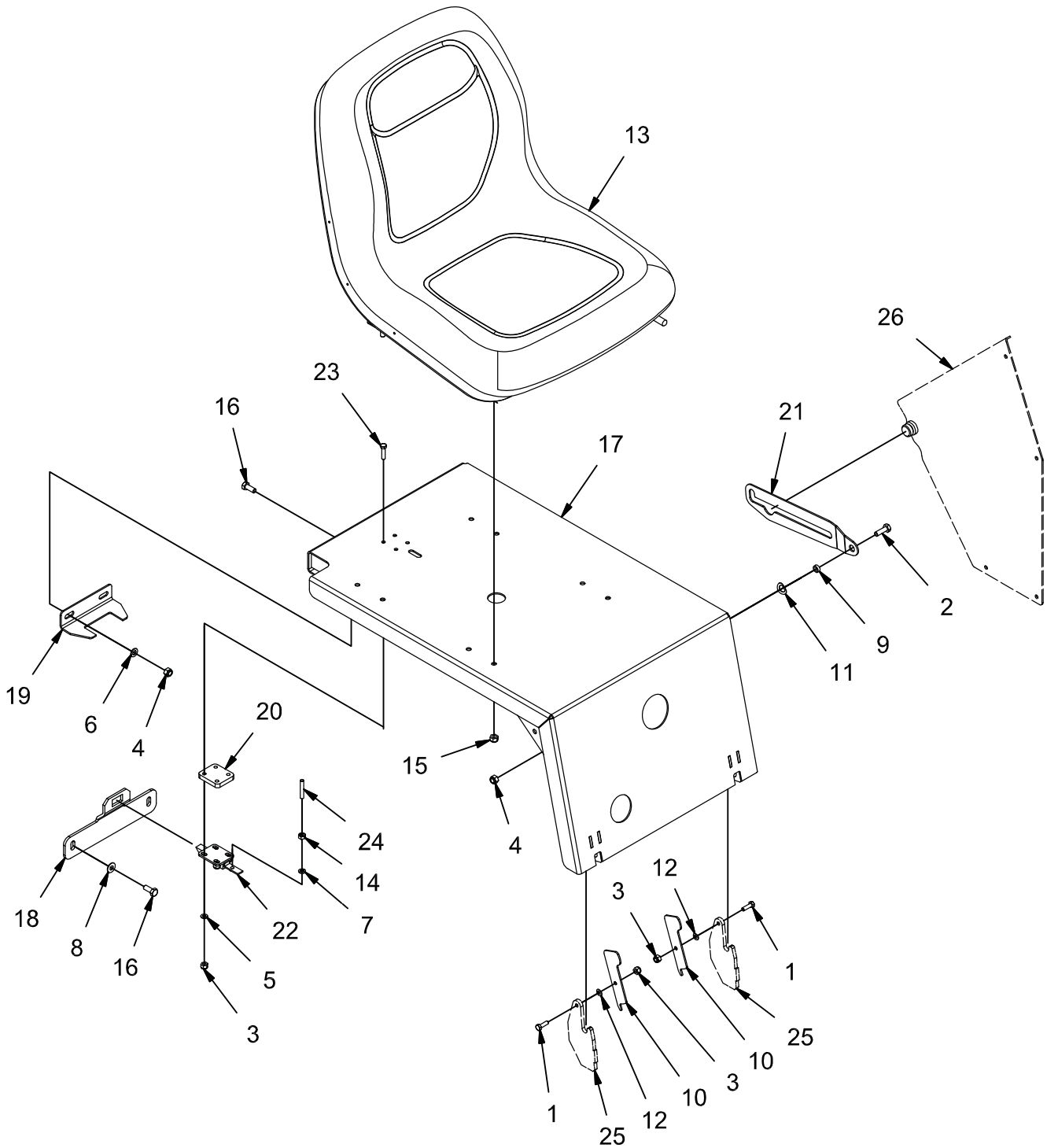
**REV B**



## SEAT DOOR GROUP (730146)

Parts List 730145			
ITEM	PART NUMBER	QTY	DESCRIPTION
1	11038072	4	BOLT, M6-1.00 X 16 HH
2	11038098	2	BOLT, M6-100 X 20 HH
3	12040044	2	NUT, M6-1.00 ESN
4	12310033	2	WASHER, M6
5	3400383	4	WASHER, 1/4 BELLEVILLE
6	3400384	8	WASHER, 5/16 BELLEVILLE
7	600924	2	BOLT, M10-1.50 X 35 HH FULL THRD
8	717014	4	NUT, M10-1.50 JAM
9	717024	8	BOLT, M8-1.25 X 20 HH
10	730403	1	STRIKER, DOOR
11	730404	1	SHIELD, HEAT
12	730405	2	WELDMENT, HINGE, MALE
13	730407	2	WELDMENT, HINGE, FEM
14	730428	1	DOOR, LEFT SIDE
15	731433	1	LATCH
16	REF.	-	COVER FRAME

**SEAT MOUNT GROUP (730147)**

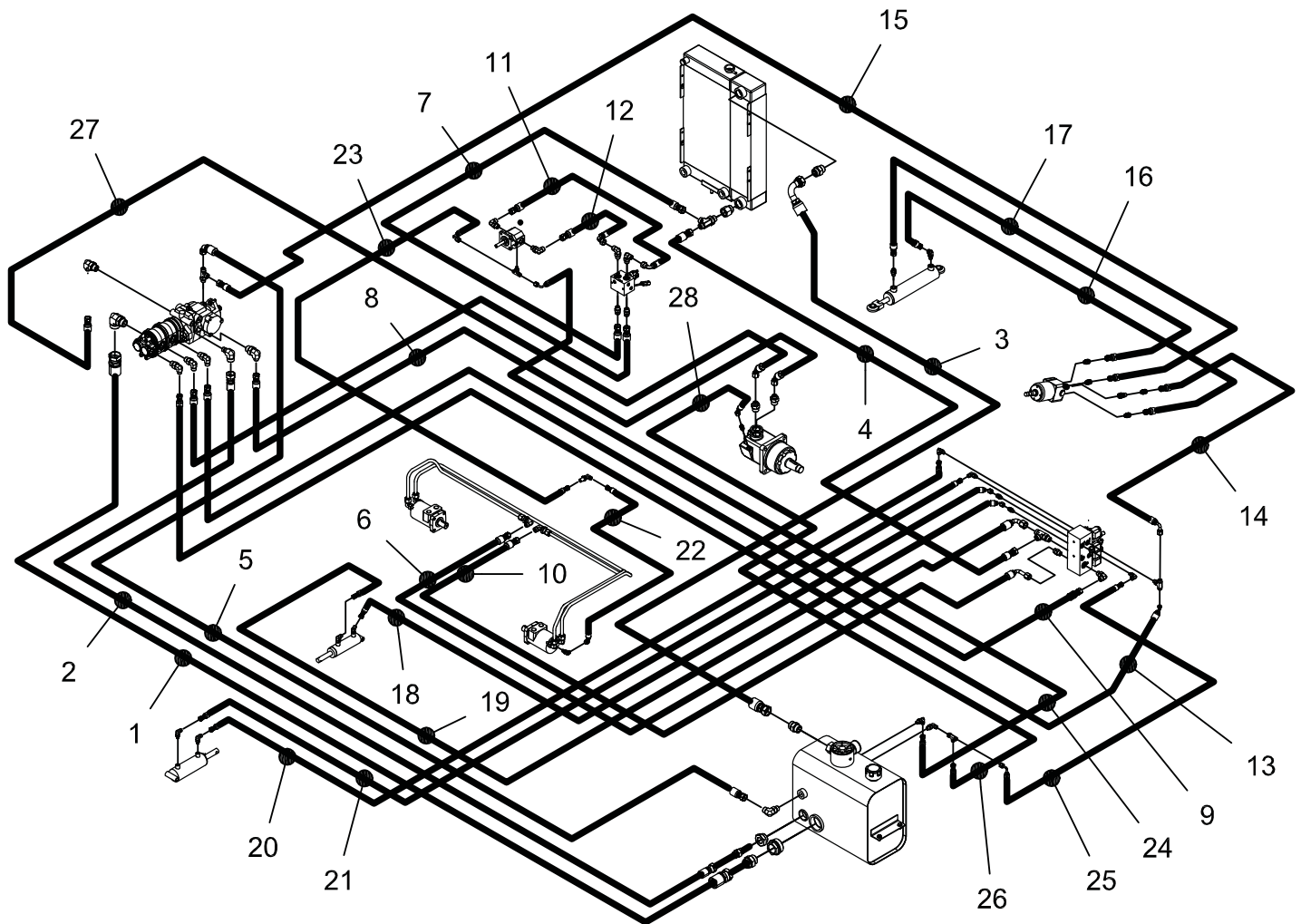


**REV C**

## SEAT MOUNT GROUP (730147)

Parts List 730147			
ITEM	PART NUMBER	QTY	DESCRIPTION
1	11038098	2	BOLT, M6-100 X 20 HH
2	11038247	1	BLT-HH M8-1.25 X 25 STL ZINC
3	12040044	6	NUT, M6-1.00 ESN
4	12040051	3	NUT, M8-1.25 ESN
5	12310033	4	WASHER, M6
6	12310041	2	WASHER, M8
7	3400103	1	LOCK WASHER, 1/4 HS MED
8	3400384	2	WASHER, 5/16 BELLEVILLE
9	600138	1	SPACER, .328 B .500 OD .188 T
10	600194	2	LATCH, COVER
11	600948	1	WASHER, .50 CURVED SPRING
12	600963	2	WASHER, M6, CURVED SPRING
13	620219	1	SEAT
14	711316	1	NUT, HEX 1/4-20 ZINC PL
15	711374	4	NUT, FIBER INSERT 5/16-18
16	717024	4	BOLT, M8-1.25 X 20 HH
17	730320	1	WELDMENT, SEAT MNT
18	730482	1	BRACKET, SEAT STRIKER
19	730484	1	PLATE, SEAT LOCK
20	730486	1	PLT, SPACER
21	730487	1	SUPPORT, SEAT MNT
22	730488	1	SLIDE LATCH
23	731006	4	BOLT, M6-1.00 X 25 HH ZP
24	731163	1	ROD, LATCH
25	REF	-	CONSOLE
26	REF	-	COVER PLATE

**HYDRAULIC HOSE GROUP (730148)**

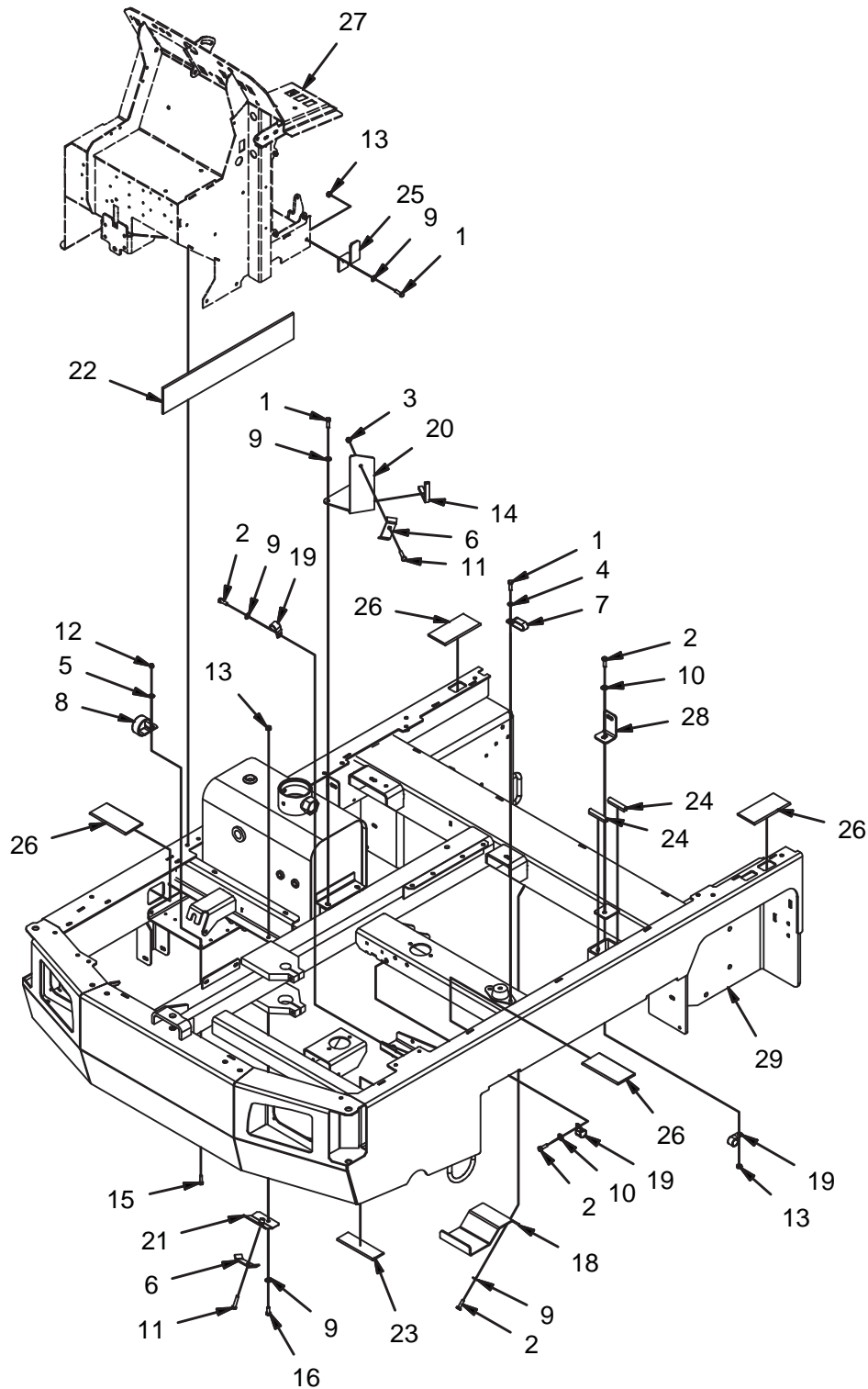


REV C

## HYDRAULIC HOSE GROUP (730148)

Parts List 730148			
ITEM	PART NUMBER	QTY	DESCRIPTION
1	731051	1	HOSE, 20 STR - 20 STR SUC (RES TO AUX PUMP IN)
2	731052	1	HOSE, 12 STR - 12 STR SUC (RES TO VDP CASE)
3	731053	1	HOSE, 16 STR - 16 90 RET (COOLER UPPER TO RES)
4	731054	1	HOSE, 10 STR - 10 STR RET (VALVE T2 TO COOLER)
5	731055	1	HOSE, 10 STR - 8 90 RET (VDP CASE TO RES)
6	731056	1	HOSE, 8 STR - 10 90 MED (MB LEFT TO VALVE T2)
7	731057	1	HOSE, 8 STR - 10 STR MED (IMP SOL T TO COOLER)
8	731058	1	HOSE, 8 STR - 8 STR MED (AUX PUMP 2 TO IMP SOL P)
9	731059	1	HOSE, 8 STR - 8 STR MED (AUX PUMP 1 TO VALVE P2)
10	731060	1	HOSE, 8 STR - 8 90 MED (VALVE MB OUT TO MB RIGHT)
11	731061	1	HOSE, 8 STR - 8 90 MED (IMP SOL VF OUT TO IMP LEFT)
12	731062	1	HOSE, 8 STR - 8 90 MED (IMP RIGHT TO IMP SOL VF IN)
13	731063	1	HOSE, 6 STR - 6 45 MED (AUX PUMP 3 TO VALVE P1)
14	731064	1	HOSE, 6 STR - 6 90 MED (VALVE P1 TO STR PRESS)
15	731065	1	HOSE, 6 STR - 8 STR RET (STR TANK TO VDP CASE)
16	731066	1	HOSE, 6 STR - 6 STR MED (STR LEFT TO CYL F)
17	731067	1	HOSE, 6 STR - 6 STR MED (STR RIGHT TO CYL R)
18	731068	1	HOSE, 4 STR - 4 45 MED (VALVE BL A TO SH CYL F)
19	731069	1	HOSE, 4 STR - 4 45 MED (VALVE BL B TO SH CYL R)
20	731070	1	HOSE, 4 STR - 4 STR MED (VALVE SG B TO SQU CYL F)
21	731071	1	HOSE, 4 STR - 4 STR MED (VALVE SG A TO SQU CYL R)
22	731072	1	HOSE, 4 STR - 4 45 MED (MB CASE TO MB MOTOR)
23	731073	1	HOSE, 4 STR - 4 90 MED (MB CASE TO IMP CASE)
24	731074	1	HOSE, 4 STR - 4 90 MED (IMP CASE TO RES)
25	731075	1	HOSE, 4 STR - 4 90 MED (VALVE T1 TO RES)
26	731076	1	HOSE, 4 STR - 4 45 MED (WHEEL DRIVE CASE TO RES)
27	731077	1	HOSE, 8 STR - 8 45 SPCL (VDP L TO WHEEL DRIVE R)
28	731078	1	HOSE, 8 STR - 8 45 SPCL (VDP R TO WHEEL DRIVE F)

**HOSE CLAMP GROUP ONE (770120)**

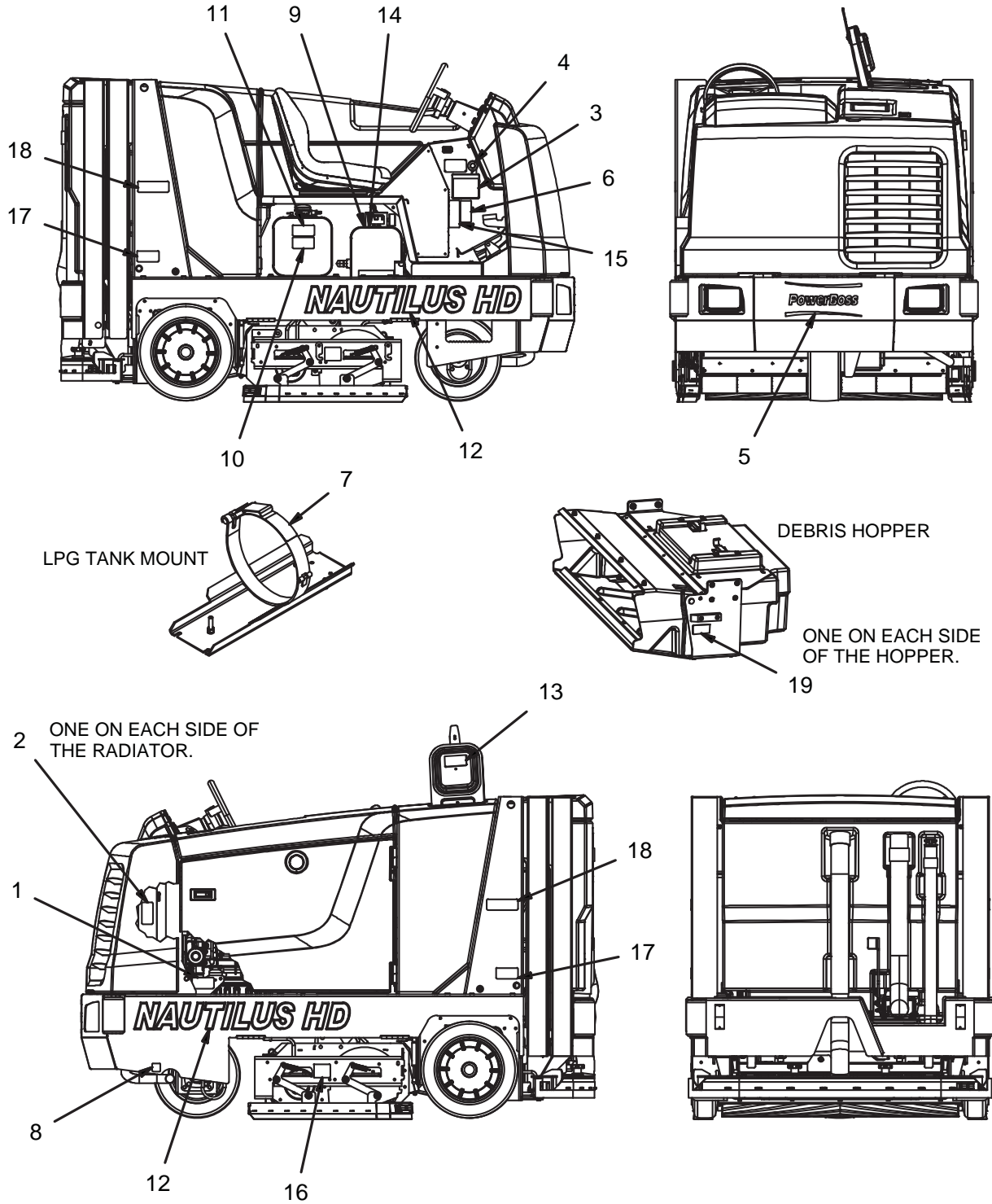


**REV A**

## HOSE CLAMP GROUP (770120)

Parts List 770120			
ITEM	PART NUMBER	QTY	DESCRIPTION
1	11038247	4	BLT-HH M8-1.25 X 25 STL ZINC
2	11039567	5	BOLT, M8-1.25 X 25 HH SS
3	12040259	1	NUT, M8-1.25 ESN SS
4	12310041	1	WASHER, M8
5	12332011	1	WASHER, FENDER, M6
6	3305398	2	RETAINER, HOSE, OFFSET, 8
7	3335599	1	CLAMP, HOSE
8	3343539	1	CLAMP, 2"
9	3400384	7	WASHER, 5/16 BELLEVILLE
10	3400385	2	WASHER, 3/8, BELLEVILLE
11	600918	2	BOLT, M8-1.25 X 35 HH
12	600933	1	NUT, M6-1.00 ESN SS
13	600934	5	NUT, M8-1.25 FLNG
14	620039	1	EDGING, 3/16 X 5.75"
15	713003	1	SCREW, 1/4-20 X 1.00 HH
16	717030	1	BOLT, M8-1.25 X 20 HH SS
17	730955	1	BRACKET, FILTER MNT
18	731145	1	BRACKET, HOSE TRAY
19	731146	3	CLAMP, HOSE, .88
20	731147	1	TRAY, REAR HOSE
21	731148-1	1	ASSEMBLY, HOSE CLAMP BRACKET
22	731150	1	SLEEVE, AS-B-37 X 30.0"
23	731151	1	SLEEVE, AS-B-17 X 6.0"
24	731152	2	EDGING, .31 X 2.75"
25	731153	1	BRACKET, CENTER HOSE
26	770596	4	SLEEVE, AS-B-33 X 6.0"
27	REF.	-	CONSOLE
28	REF.	-	BRACKET, TANK MNT
29	REF.	-	FRAME

**DECAL GROUP (770121)**



**REV A**



## DECAL GROUP (770121)

Parts List DECAL GROUP 770121			
ITEM	PART NUMBER	QTY	DESCRIPTION
1	3301730	1	DECAL, WARNING FAN BELT (ENG)
2	3301733	2	DECAL, WARNING FAN (RAD SHROUD)
3	3301854	1	DECAL, CAUTION
4	3334827	1	DECAL, MADE IN USA
5	3334900	1	DECAL, POWERBOSS
6	3342264	1	DECAL, READ MANUAL
7	3342971	1	DECAL, LPG FUEL TANK (LPG ONLY)
8	3342978	1	DECAL, HOT SURFACE
9	715023	1	DECAL, HYDRAULIC FLUID INFORMATION
10	715949	1	DECAL, GAS FUEL WARNING
11	715953	1	DECAL, DIESEL FUEL WARNING
12	715975	2	DECAL, NAUTILUS HD
13	715965	1	DECAL, FLAMMABLE MATERIAL WARNING
14	715966	1	DECAL, WARNING, NO FUEL IN RES.
15	715967	1	DECAL, WARNING, DO NOT PICK UP
16	715968	2	DECAL, WARNING, ROTATING BRUSHES
17	3301732	2	DECAL, STAY CLEAR OF HOPPER
18	715497	2	DECAL, RAISED HOPPER
19	3342650	2	DECAL, DUMP DOOR

ELECTRICAL GROUP (730116)

**NOTE:**

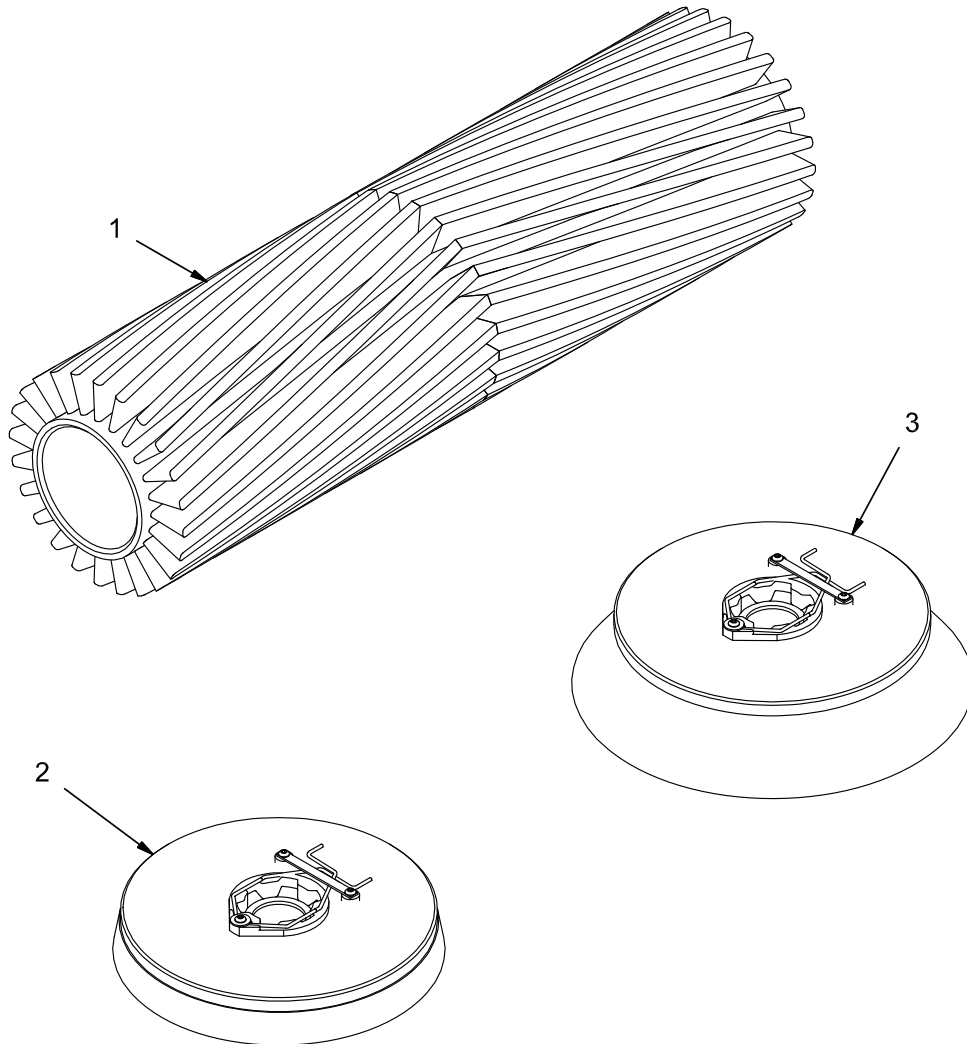
**THERE IS NO PICTURE AVAILABLE FOR THIS GROUP**

REV 1

**ELECTRICAL GROUP (730116)**

Parts List - ELECTRICAL GROUP 730116			
ITEM	PART NUMBER	QTY	DESCRIPTION
1	748990	1	ENGINE HARNESS
2	748991	1	LIGHTS HARNESS
3	748992	1	MAIN HARNESS

BRUSH/BROOM GROUP (730175)



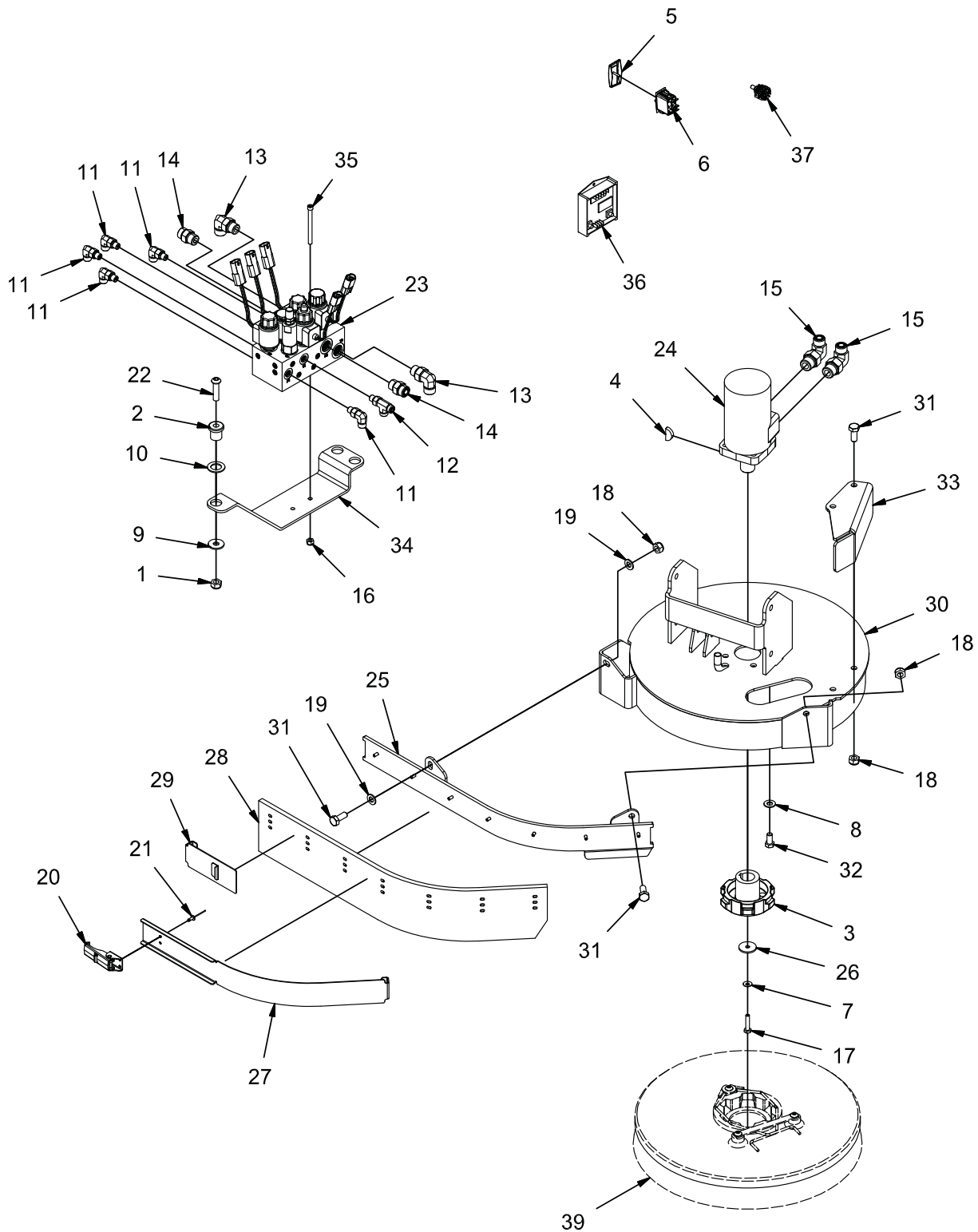
REV B

**BRUSH/BROOM GROUP (730175)**

Parts List - 730175			
ITEM	PART NUMBER	QTY	DESCRIPTION
1	731090	1	BRUSH, CYLINDRICAL, 45", NYLON
1	731091	1	BRUSH, CYLINDRICAL, 45", POLY
1	731092	1	BRUSH, CYLINDRICAL, 45", 80 GRIT ABRASIVE
1	731093	1	BRUSH, CYLINDRICAL, 45", 180 GRIT ABRASIVE
1	731268	1	BRUSH, CYLINDRICAL, 45", HIGH DENSITY NYLON
1	731269	1	BRUSH, CYLINDRICAL, 45", HIGH DENSITY POLY
1	731270	1	BRUSH, CYLINDRICAL, 45", HIGH DENSITY 80 GRIT
1	731271	1	BRUSH, CYLINDRICAL, 45", HIGH DENSITY 180 GRIT
2	3313128	1	BRUSH, DISC, 16", PURPLE
2	3313126	1	BRUSH, DISC, 16", BLACK
2	3332545	1	BRUSH, DISC, 16", BLUE
2	3315385	1	BRUSH, DISC, 16", RED
2	3313136	1	BRUSH, DISC, 16", NYLON
3	731259	1	SIDE BROOM, 20", POLY

OPTIONS - PARTS BREAKDOWN

OPTION - SIDE BRUSH GROUP (730000)



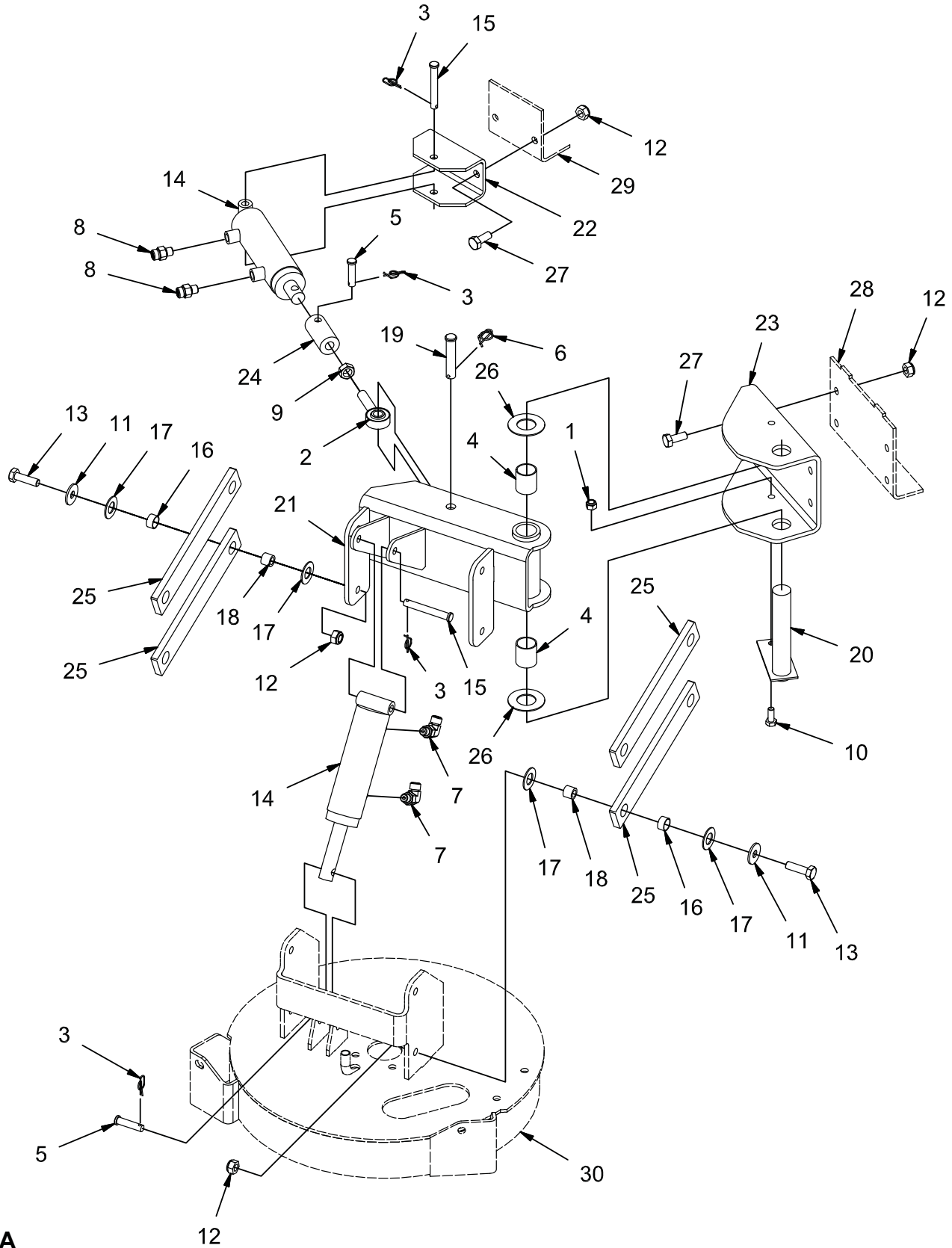
REV B

**OPTION - SIDE BRUSH GROUP (730000)**

Parts List 730000			
ITEM	PART NUMBER	QTY	DESCRIPTION
1	12040069	3	NUT, M10-1.50 ESN
2	3300465	3	ISOLATOR, VIB
3	3324451	1	HUB, DRIVE
4	3330338	1	KEY, WOODRUFF .25 X .50
5	3342273	1	SWITCH COVER - BLACK, CLEAR LENS
6	3342705	1	SWITCH, DPST
7	3400383	1	WASHER, 1/4 BELLEVILLE
8	3400385	4	WASHER, 3/8, BELLEVILLE
9	600363	3	WASHER, ISOLATOR
10	66-431-A	3	WASHER, .77 B 1.25 OD .075 T
11	675507	5	FITTING, 90, -4 ORFS - 4 SAE
12	675509	1	FITTING, RUN TEE -4 ORFS TO -4 SAE
13	675523	2	FITTING, 90, -8 ORFS - 8 SAE
14	675524	2	FITTING, STR, -8 ORFS - 8 SAE
15	675528	2	FITTING, 90, -8 ORFS - 10 SAE
16	711373	2	NUT, FIBER INSERT 1/4-20
17	712566	1	SCREW, 1/4-20 X 1.25 HH SS
18	730339	4	NUT, M10-1.50 ESN SS
19	730344	2	WASHER, M10 SS
20	730652	1	LATCH, UNDER CENTER
21	730654	2	RIVET,BLIND, .156 D X .062 - .125 GRIP SS
22	730698	3	BOLT, M10-1.50 X 40 BUTTON HD CAP
23	730795	1	MANIFOLD, SSB
24	730892	1	MOTOR, 9.7 DISP
25	730927	1	WELDMENT, SSB SQU MNT
26	730933	1	WASHER, .28 B, 1.25 OD, .105 T SS
27	730938	1	SSB SQU RETAINER
28	730939	1	SSB SQUEEGEE
29	730940	1	WELDMENT, SSB REAR RET
30	730942	1	WELDMENT, SSB MOUNT
31	730958	4	BOLT, M10-1.50 X 25 HH SS
32	730959	4	SCREW, 3/8-16 X .750 HHC SS
33	730963	1	WELDMENT, SSB GUARD
34	730964	1	MOUNT, SSB MANIFOLD
35	730965	2	BOLT, 1/4-20 X 3.00 SOC HD CAP
36	731126	1	PROPORTIONAL VALVE DRIVER - DOUBLE
37	748796	1	DUAL BRUSH PRESSURE SELECTOR
38	748798	1	HARNESS, SIDE BRUSH
39	REF.	-	SCRUB BRUSH, 16 D

**GROUP (730036) - OPTION SIDE SCRUB BRUSH, INCLUDES SUB-GROUPS:  
730000, 730001, 730002, 730011, 730028, 730029, 730171**

OPTION - SIDE BRUSH LIFT GROUP (730001)



REV A

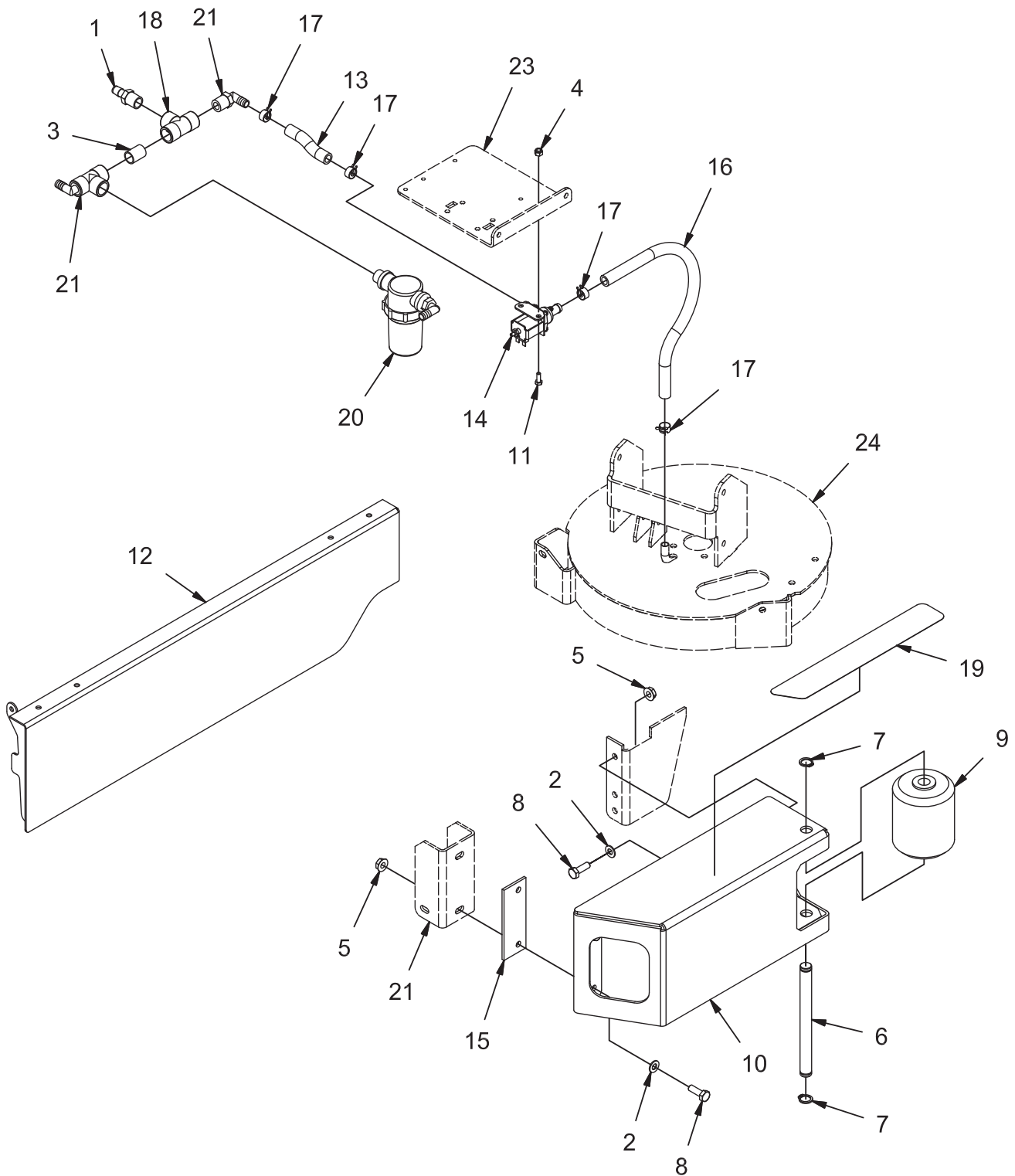


**OPTION - SIDE BRUSH LIFT GROUP (730001)**

Parts List 730001			
ITEM	PART NUMBER	QTY	DESCRIPTION
1	12040259	1	NUT, M8-1.25 ESN SS
2	3311977	1	ROD END, MALE, 1/2-20
3	3400125	4	RUE-RING, .375
4	600174	2	BEARING, FIBERGLIDE 1.00 ID 1.25 T
5	600573	2	PIN, CLEVIS, 3/8 X 1.50
6	600578	1	RUE-RING, .50
7	675507	2	FITTING, 90, -4 ORFS - 4 SAE
8	675508	2	FITTING, STR, 4 ORFS - 4-SAE
9	711337	1	NUT, HEX JAM 1/2-20
10	717030	1	BOLT, M8-1.25 X 20 HH SS
11	717040	8	WASHER, FENDER, .413 B 1.18 OD .098 T SS
12	730339	14	NUT, M10-1.50 ESN SS
13	730345	8	BOLT, M10-1.50 X 35 HH SS
14	730548	2	CYLINDER, HYD, 1.50 B X 2.88 STK
15	730602	2	PIN, CLEVIS, .375 X 2.75
16	730646	8	BEARING, DU, .63 B .72 OD .38 T
17	730647	16	WASHER, THRUST, .66 B 1.25 OD .06 T
18	730648	8	SPACER, .406 B .624 OD .515 T SS
19	730875	1	PIN, CLEVIS 1/2 X 2.50 ZP
20	730907	1	WELDMENT, PIN
21	730910	1	WELDMENT, SSB ARM
22	730923	1	SSB CYL MNT
23	730924	1	SSB MNT
24	730925	1	SSB ADJ TUBE
25	730926-1	4	SSB LINK
26	730957	2	WASHER, THRUST, 1.03 B 2.00 OD .063 T
27	730958	6	BOLT, M10-1.50 X 25 HH SS
28	REF.	-	FRAME
29	REF.	-	FRAME
30	REF.	-	SSB MOUNT

**GROUP (730036) - OPTION SIDE SCRUB BRUSH, INCLUDES SUB-GROUPS:  
730000, 730001, 730002, 730011, 730028, 730029, 730171**

OPTION - SIDE BRUSH SOLUTION CONTROL GROUP (730002)



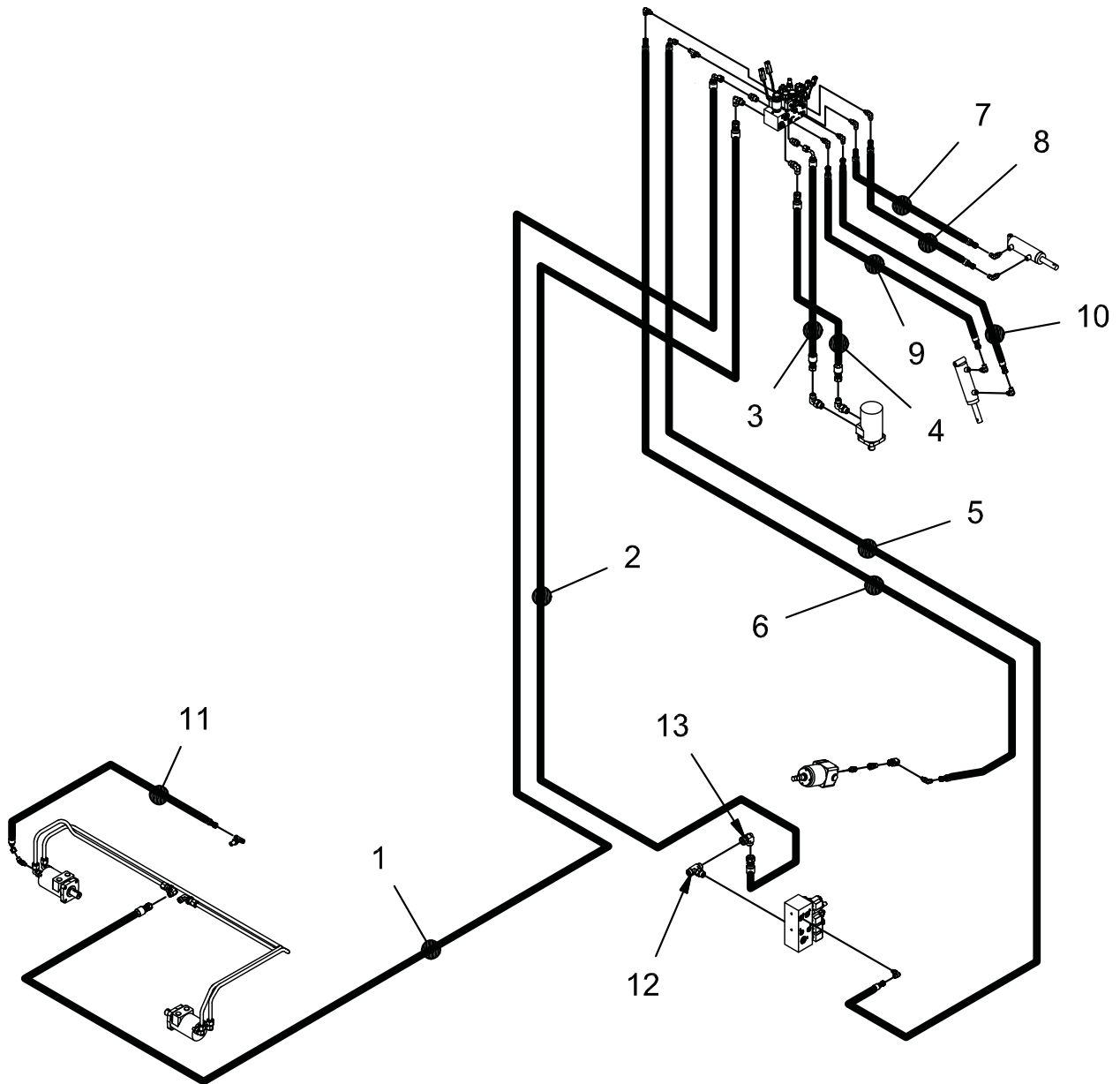
REV A

**OPTION - SIDE BRUSH SOLUTION CONTROL GROUP (730002)**

Parts List 730002			
ITEM	PART NUMBER	QTY	DESCRIPTION
1	3315534	1	FITTING, PLASTIC, STR, .50 NPT .50 BARB
2	3400385	4	WASHER, 3/8, BELLEVILLE
3	383465	1	1/2 NPT CLOSE PIPE NIPPLE, BRASS
4	600933	2	NUT, M6-1.00 ESN SS
5	600936	4	NUT, M10-1.50 FLNG
6	730876	1	PIN, ROLLER
7	730877	2	RETAINING RING, EXT, .750
8	730878	4	BOLT, M10-1.50 X 30 HH SS
9	730915	1	ROLLER, SSB
10	730916	1	WELDMENT, SSB GUARD
11	730934	2	BOLT, M6-1.00 X 16 HH SS
12	730952	1	WELDMENT, SSB DOOR
13	730954	1	TUBING, .50 ID X .13 WALL BRAIDED VINYL
14	730956	1	VALVE, SOLENOID, 12V, ADJ
15	730960	1	SPACER PLT
16	730961	1	TUBING, .50 ID X .13 WALL BRAIDED VINYL
17	730962	4	CLAMP, WIRE HOSE
18	730966	1	FITTING, PVC TEE, FEMALE 1/2 NPT
19	730967	1	PAD, STEP
20	REF.	-	FILTER AND STD FITTING COMPONENTS
21	REF.	-	FRAME
22	REF.	-	FRAME
23	REF.	-	BRACKET, FILTER MNT
24	REF.	-	SSB MOUNT

**GROUP (730036) - OPTION SIDE SCRUB BRUSH, INCLUDES SUB-GROUPS:  
730000, 730001, 730002, 730011, 730028, 730029, 730171**

OPTION - SIDE BRUSH HYDRAULIC HOSE GROUP (730011)



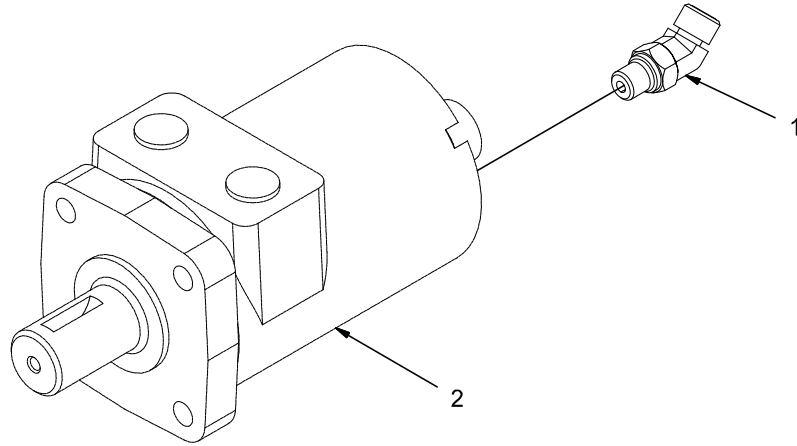
REV D

**OPTION - SIDE BRUSH HYDRAULIC HOSE GROUP (730011)**

Parts List 730011			
ITEM	PART NUMBER	QTY	DESCRIPTION
1	731079	1	HOSE, 8 STR - 8 90 MED (LH MB TO SSB VALVE P2)
2	731081	1	HOSE, 10 STR - 8 45 MED (VALVE T2 TO SSB VALVE T2)
3	731082	1	HOSE, 8 STR - 8 90 MED (SSB VALVE SB OUT TO SB R)
4	731083	1	HOSE, 8-STR - 8 STR MED (SSB VALVE SB IN TO SB F)
5	731084	1	HOSE, 4-STR - 4 STR MED (STR TEE TO SSB VALVE P1)
6	731085	1	HOSE, 4 STR - 4 90 MED (VALVE T1 TO SSB VALVE T1)
7	731087	1	HOSE, 4 STR - 4 STR MED (SSB VALVE SBE B TO EXT CYL R)
8	731088	1	HOSE, 4 STR - 4 STR MED (SSB VALVE SBL A TO LIFT CYL U)
9	731089	1	HOSE, 4 STR - 4 STR MED (SSB VALVE SBE A TO EXT CYL L)
10	731089	1	HOSE, 4 STR - 4 STR MED (SSB VALVE SBL B TO LIFT CYL L)
11	731168	1	HOSE, 4 STR - 4 45 MED (LH MB CASE TO SCRUB HEAD TEE)
12	675623	1	FTG - BRANCH TEE -10 ORFS TO -10 ORFS TO -10 SAE
13	675624	1	FTG - SWIVEL NUT ELBOW -10 ORFS TO -10 ORFS

**GROUP (730036) - OPTION SIDE SCRUB BRUSH, INCLUDES SUB-GROUPS:  
730000, 730001, 730002, 730011, 730028, 730029, 730171**

**OPTION - SIDE BRUSH SCRUB HEAD GROUP (730028)**



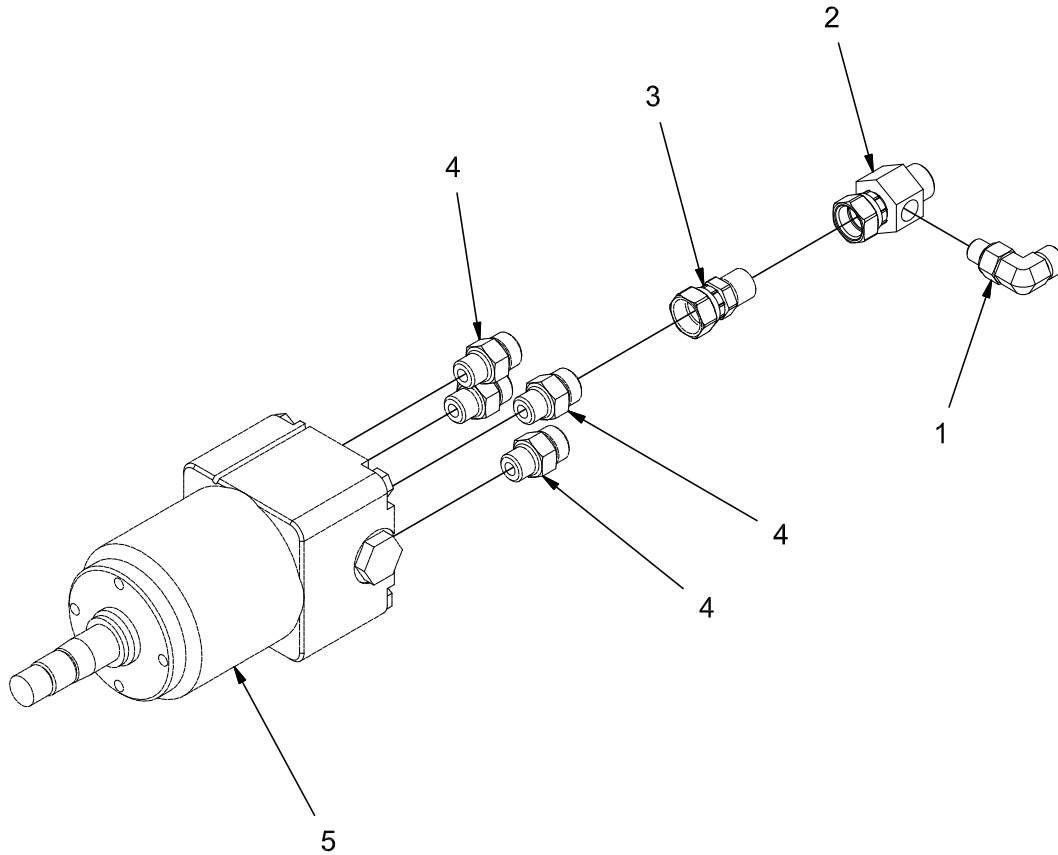
**REV \***

**OPTION - SIDE BRUSH SCRUB HEAD GROUP (730028)**

Parts List 730112			
ITEM	PART NUMBER	QTY	DESCRIPTION
1	675541	1	FITTING, 45, 4 ORFS - 4 SAE
2	REF.	-	LEFT SCRUB BRUSH MOTOR, 4.5 DISP

**GROUP (730036) - OPTION SIDE SCRUB BRUSH, INCLUDES SUB-GROUPS:  
730000, 730001, 730002, 730011, 730028, 730029, 730171**

OPTION - SIDE BRUSH STEERING COLUMN GROUP (730029)



REV \*

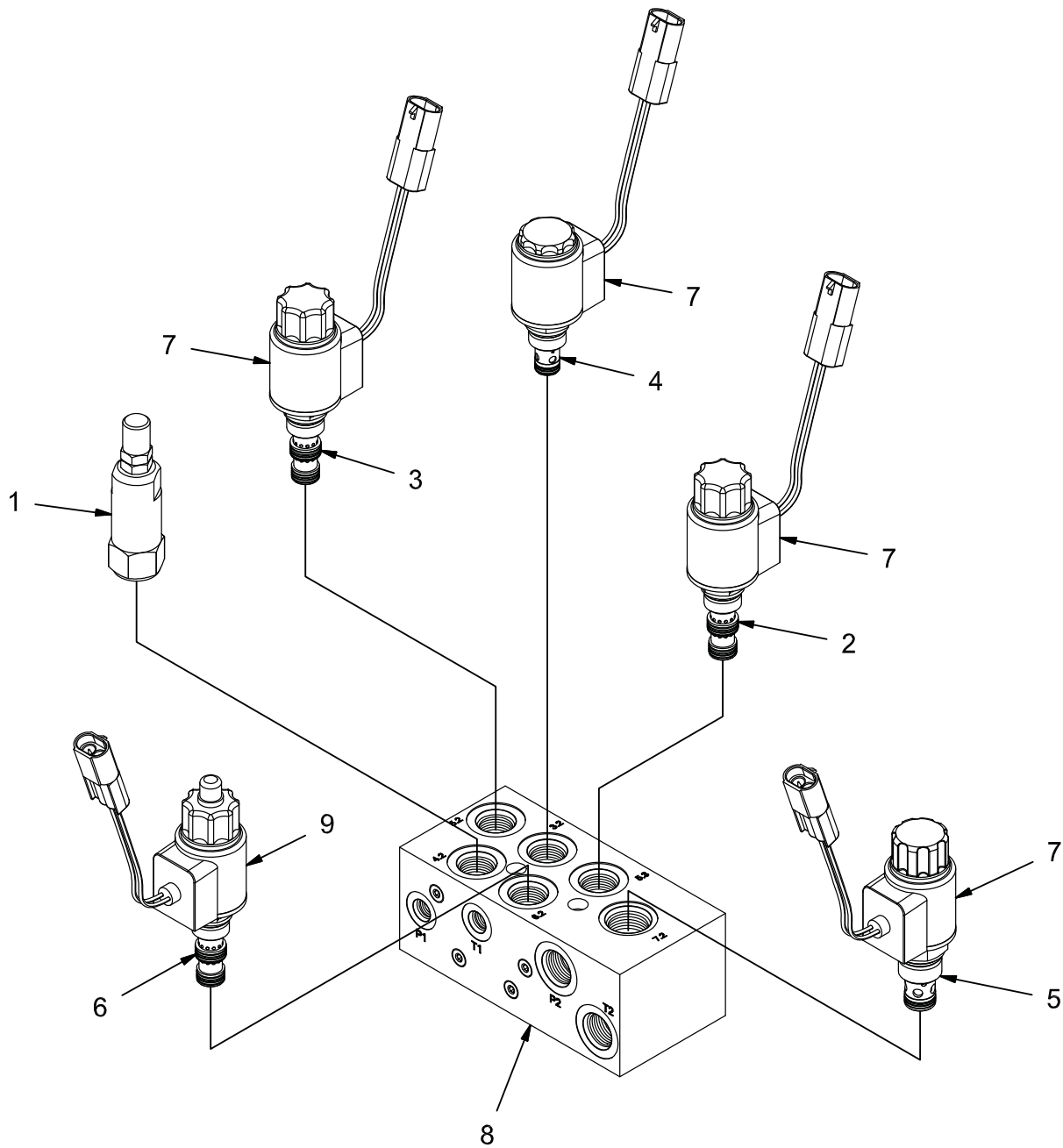


**OPTION - SIDE BRUSH STEERING COLUMN GROUP (730029)**

Parts List			
ITEM	PART NUMBER	QTY	DESCRIPTION
1	675507	1	FITTING, 90, -4 ORFS - 4 SAE
2	675604	1	FTG-TEE -6 ORFS TO -6 ORFS TO -4 SAE
3	REF.	-	FTG - .094 ORIFICE ADAPTER -6 ORFS TO -6 ORFS
4	REF.	-	FITTING, STR, 6 ORFS - 6 SAE
5	REF.	-	STEERING UNIT

**GROUP (730036) - OPTION SIDE SCRUB BRUSH, INCLUDES SUB-GROUPS:  
730000, 730001, 730002, 730011, 730028, 730029, 730171**

OPTION - SSB HYDRAULIC MANIFOLD GROUP (730171)



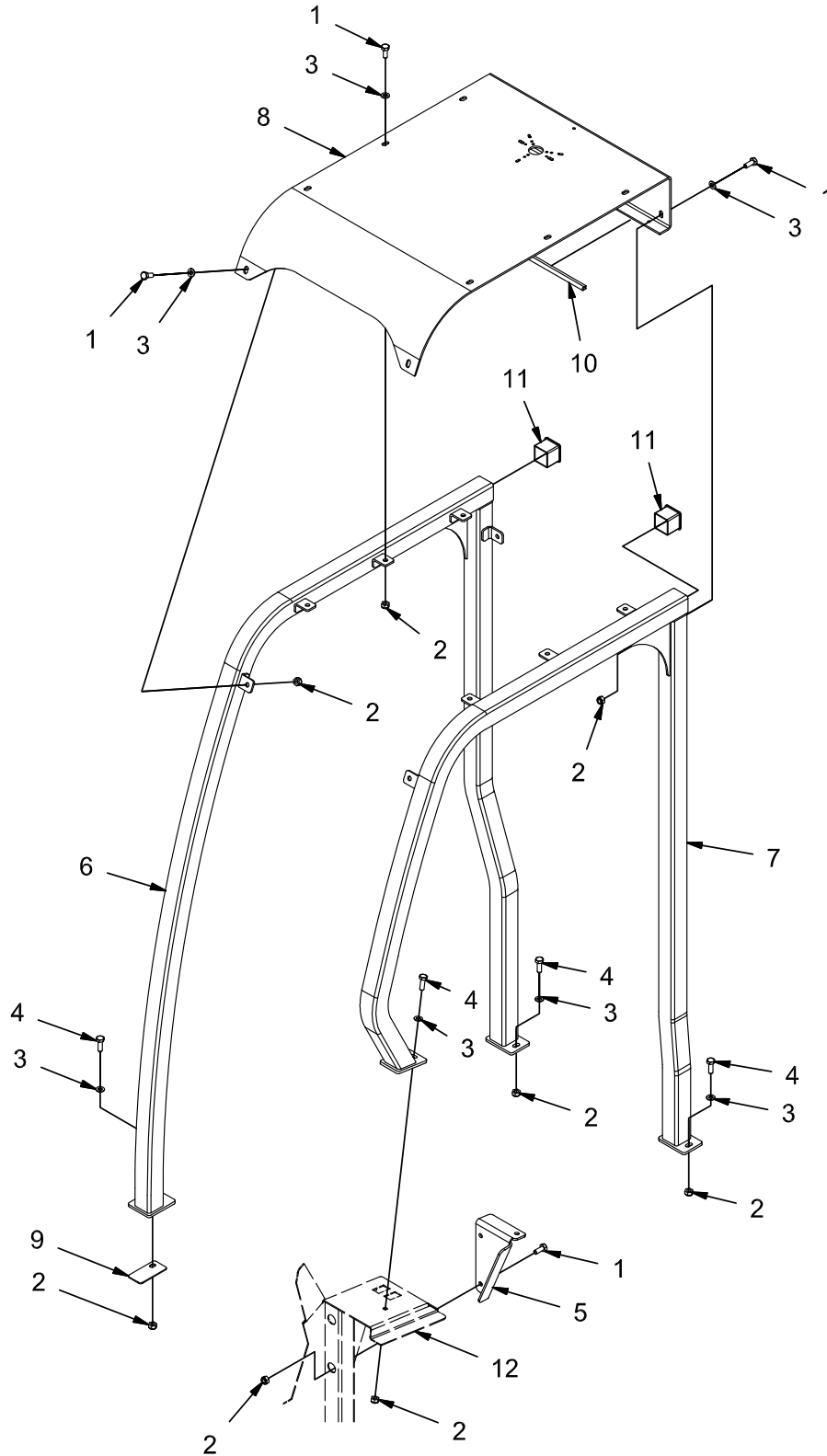
REV B

**OPTION - SSB HYDRAULIC MANIFOLD GROUP (730171)**

Parts List 730171			
ITEM	PART NUMBER	QTY	DESCRIPTION
1	730702	1	PORT 4.2 - RV4 - PRESSURE REDUCTION VALVE SOL. RED. VALVE, DR08-01-C-N-050-V-45
2	730705	1	PORT 5.3 - SV10 - SIDE BRUSH DOWN SOL. VALVE, WK08L-01-C-N-0
3	730705	1	PORT 5.2 - SV12 - SIDE BRUSH EXTEND SOL. VALVE, WK08L-01-C-N-0
4	730707	1	PORT 3.2 - SV11 - SIDE BRUSH UP - LOCK SOL. VALVE, WS08ZR-01-C-N-0
5	730709	1	PORT 7.2 - SV8 - SIDE BRUSH ON SOL. VALVE, WS10Y-01-C-N-0
6	730710	1	PORT 6.2 - SV9 - SIDE BRUSH FORCE PROP. RED. VALVE, PDR08-01-M-C-N-070
7	731122	4	COIL, 12V, 3003124
8	731123	1	MANIFOLD BLOCK, SSB
9	731226	1	COIL, PROPORTIONAL, 12PL-2.2-40-1836

**GROUP (730036) - OPTION SIDE SCRUB BRUSH, INCLUDES SUB-GROUPS:  
730000, 730001, 730002, 730011, 730028, 730029, 730171**

OPTION - OVERHEAD GUARD GROUP (730003)

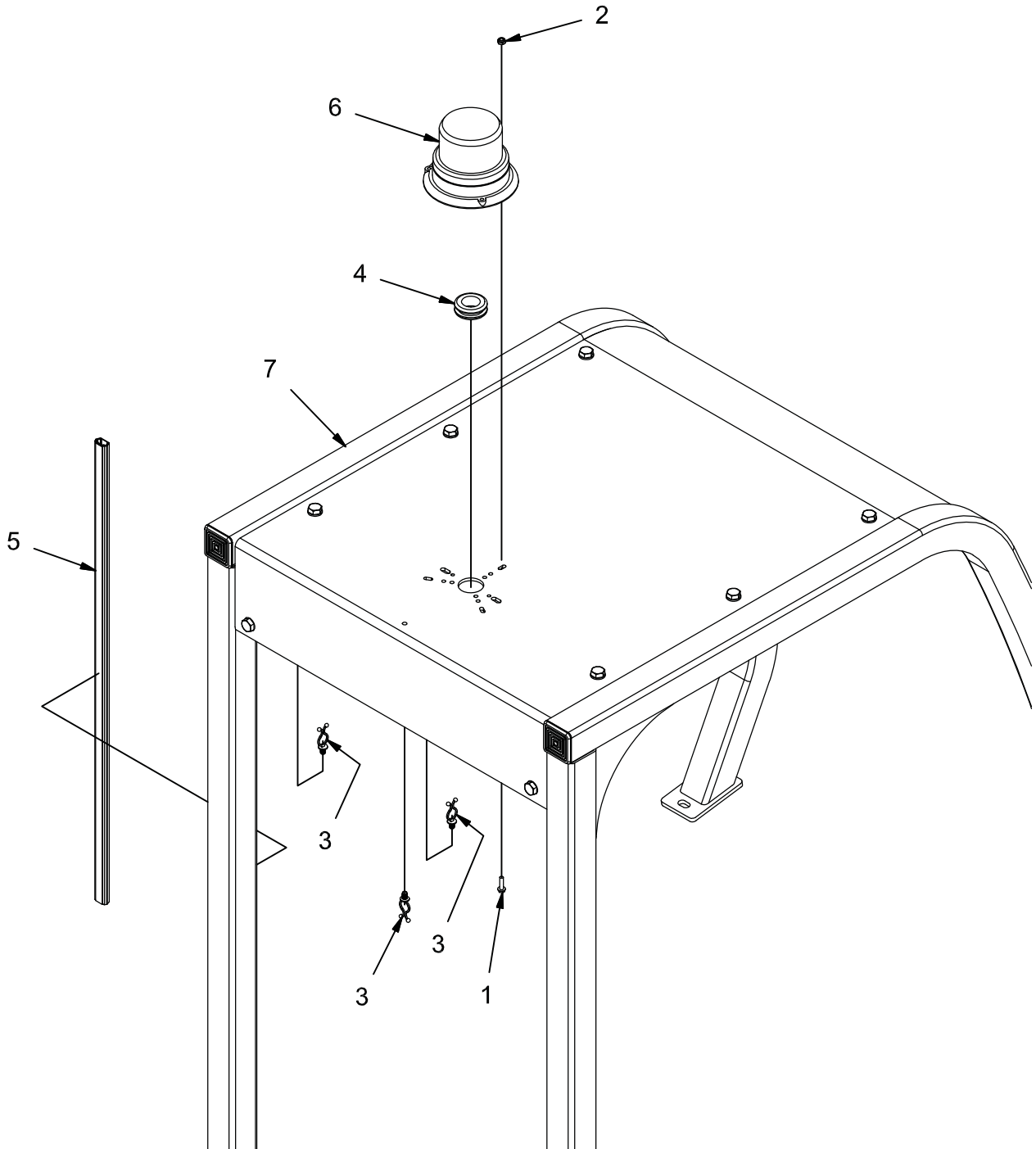


REV \*

**OPTION - OVERHEAD GUARD GROUP (730003)**

Parts List - 730003			
ITEM	PART NUMBER	QTY	DESCRIPTION
1	11038346	12	BOLT, M10-1.50 X 25 HH
2	12040069	16	NUT, M10-1.50 ESN
3	12310058	14	WASHER, M10
4	3401051	4	BOLT, M10-1.50 X 30 HH
5	730697	1	BRACKET, OHG
6	731012	1	WELDMENT, OHG, RH SIDE
7	731020	1	WELDMENT, OHG, LH SIDE
8	731024	1	OHG, TOP PLT
9	731026	1	PLATE, SPACER
10	731027	1	EDGING, 3/16 X 23.62"
11	731028	2	PLUG, TUBING
12	REF.	-	CONSOLE

OPTION - STROBE LIGHT GROUP (ON OVERHEAD GUARD) (730004)

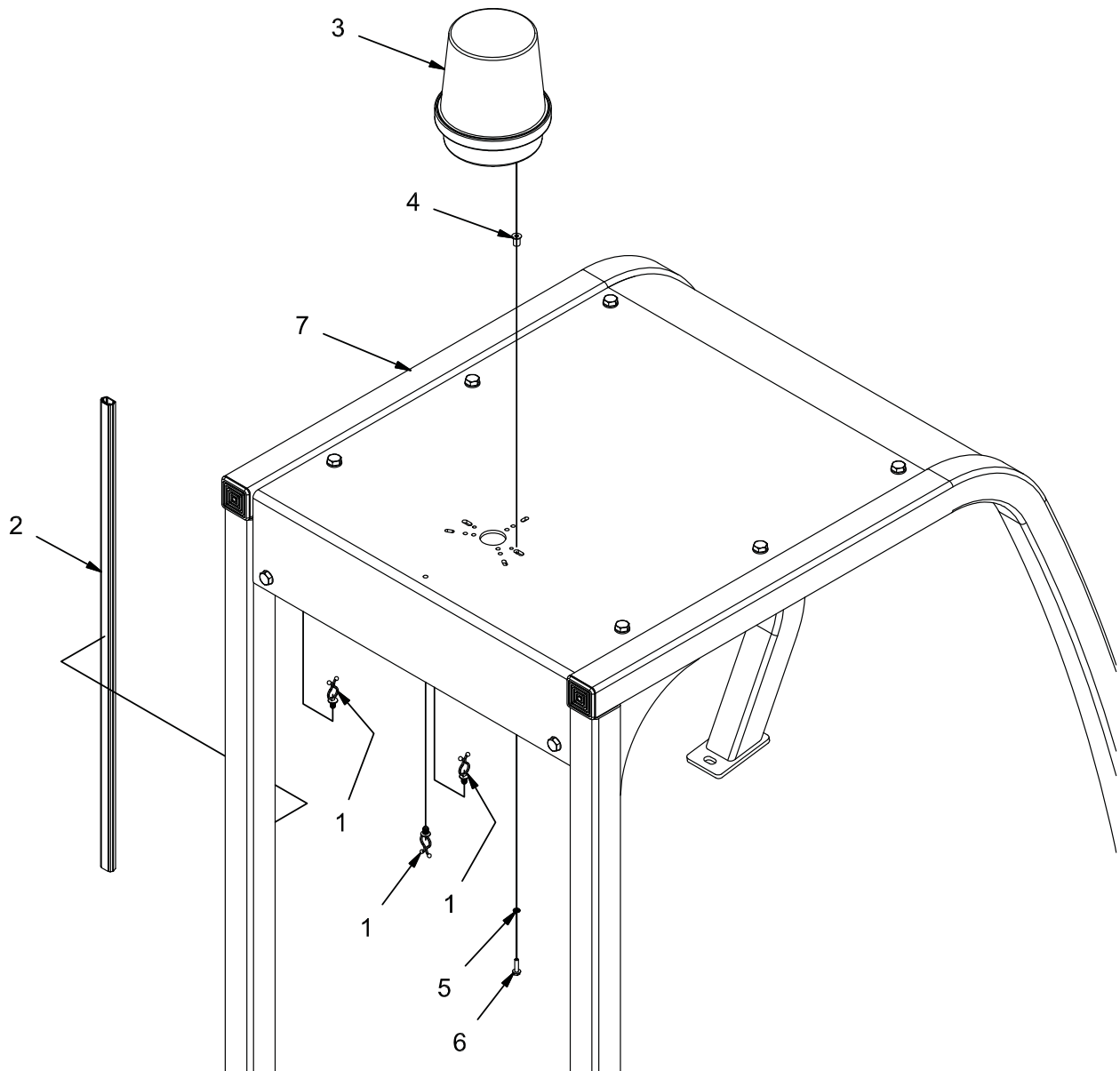


REV B

**OPTION - STROBE LIGHT GROUP (ON OVERHEAD GUARD) (730004)**

Parts List - 730004			
ITEM	PART NUMBER	QTY	DESCRIPTION
1	3400044	3	SCR-HEX,#10-32 X 0.75 ZP
2	3400172	3	NUT, 10-32 ESN
3	600581	3	CLAMP, WIRE CLIP
4	620160	1	GROMMET, 1.00 ID .1.375 OD .25 T
5	731029	1	WIRE CHANNEL
6	748918	1	ASSEMBLY, AMBER STROBE LIGHT
7	REF.	-	OVERHEAD GUARD
	748981	1	HARNESS, SAFETY LIGHT, OHG

OPTION - ROTATING LIGHT GROUP (ON OVERHEAD GUARD) (730005)



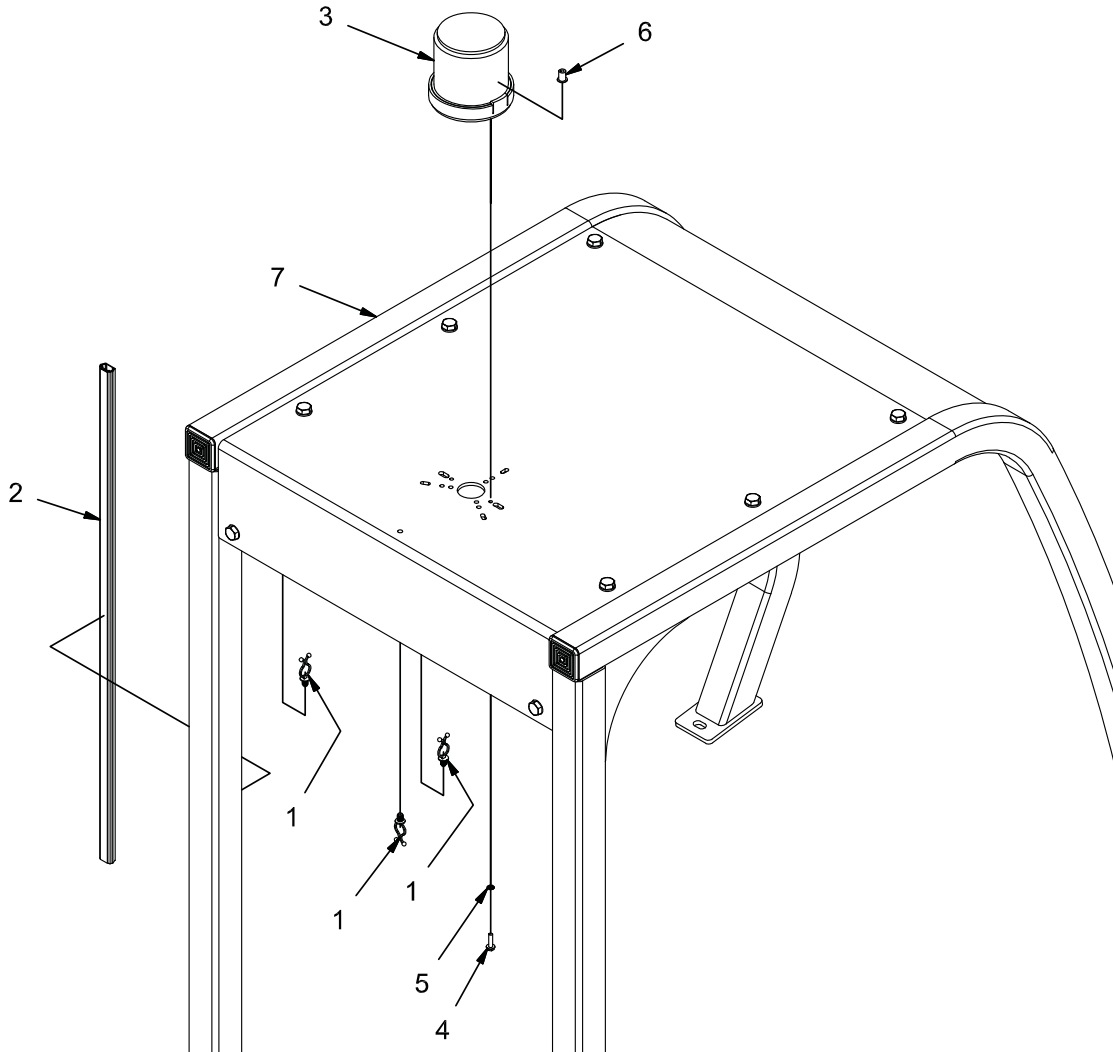
REV B



**OPTION - ROTATING LIGHT GROUP (ON OVERHEAD GUARD) (730005)**

Parts List - 730005			
ITEM	PART NUMBER	QTY	DESCRIPTION
1	600581	3	CLAMP, WIRE CLIP
2	731029	1	WIRE CHANNEL
3	748919	1	ASSEMBLY, AMBER ROTATING LIGHT
4	PART OF 748919	2	NUT, EXPANSION
5	PART OF 748919	2	STAR WASHER
6	PART OF 748919	2	SCREW
7	REF.	-	OVERHEAD GUARD
	748981	1	HARNESS, SAFETY LIGHT, OHG

OPTION - FLASHING LIGHT GROUP (ON OVERHEAD GUARD) (730006)

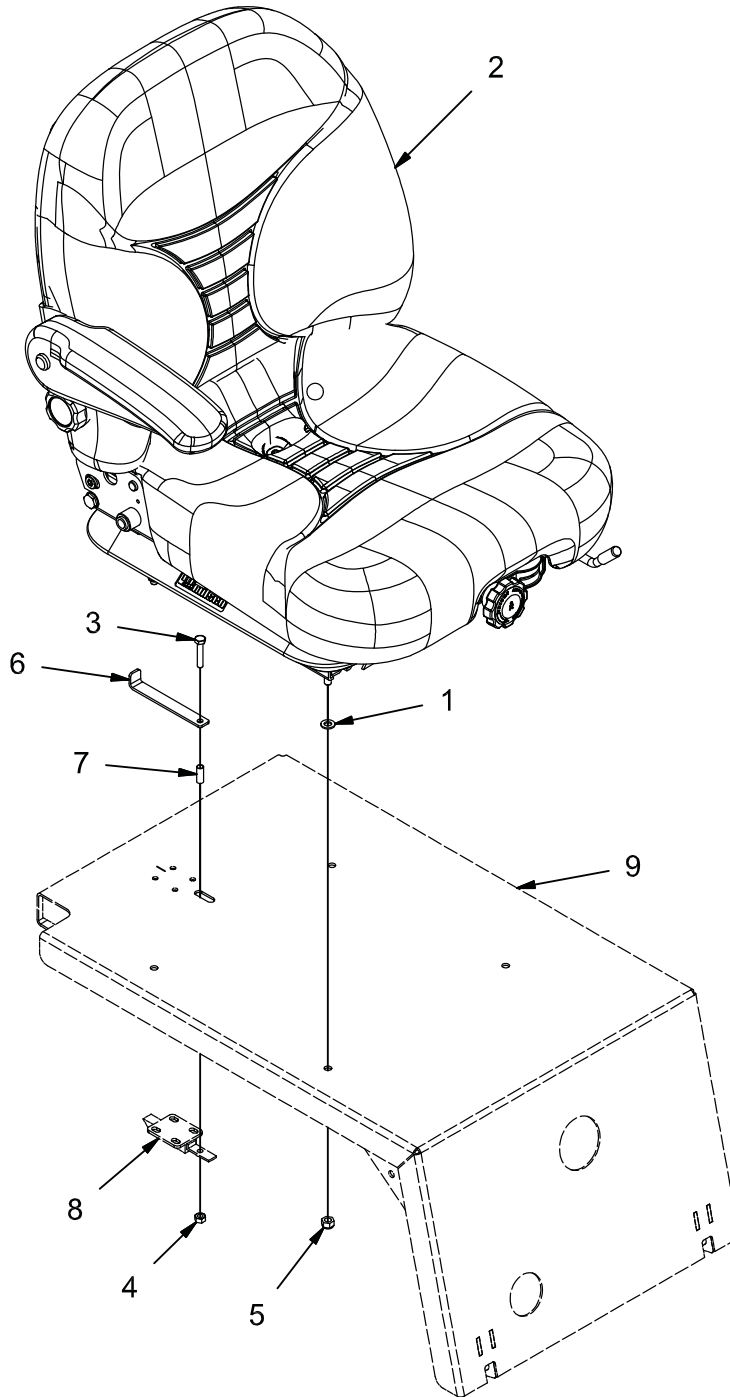


REV B

**OPTION - FLASHING LIGHT GROUP (ON OVERHEAD GUARD) (730006)**

Parts List - 730006			
ITEM	PART NUMBER	QTY	DESCRIPTION
1	600581	3	CLAMP, WIRE CLIP
2	731029	1	WIRE CHANNEL
3	748920	1	ASSEMBLY, AMBER FLASHING LIGHT
4	PART OF 748920	2	SCREW
5	PART OF 748920	2	STAR WASHER
6	PART OF 748920	2	NUT, EXPANSION
7	REF.	-	OVERHEAD GUARD
	748981	1	HARNES, SAFETY LIGHT, OHG

OPTION - SUSPENSION SEAT GROUP (730007)

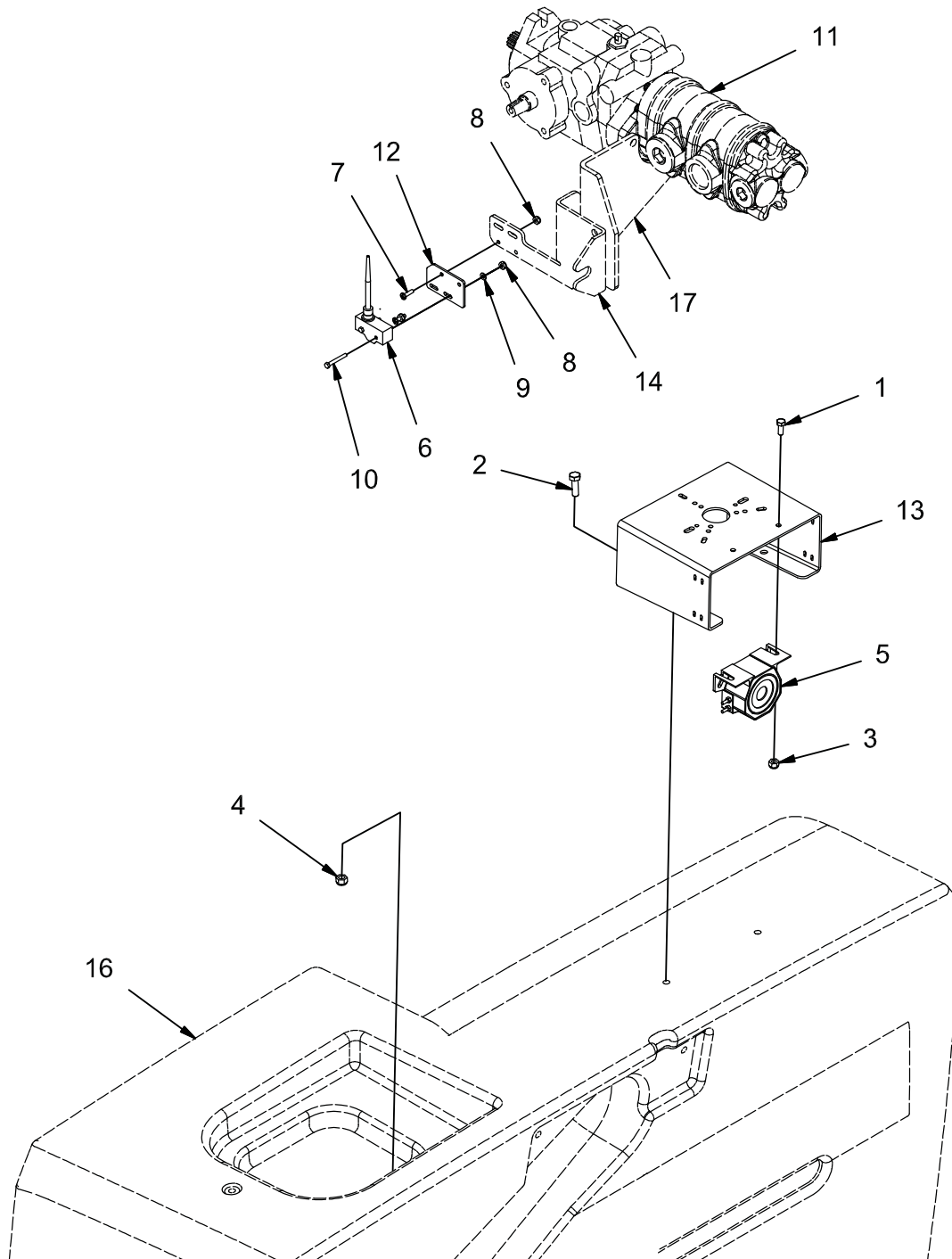


REV A

**OPTION - SUSPENSION SEAT GROUP (730007)**

Parts List - 730007			
ITEM	PART NUMBER	QTY	DESCRIPTION
1	12310041	4	WASHER, M8
2	620191	1	SEAT, SUSPENSION
3	711211	1	BLT - HH 1/4-20 X 1.38 STL ZINC
4	711316	1	NUT, HEX 1/4-20 ZINC PL
5	711374	4	NUT, FIBER INSERT 5/16-18
6	731262	1	RELEASE, LATCH
7	731263	1	SPACER, .266 B, .313 OD, .813 T
8	REF.	-	SLIDE LATCH
9	REF.	-	SEAT MOUNT

OPTION - BACKUP ALARM GROUP (730008)

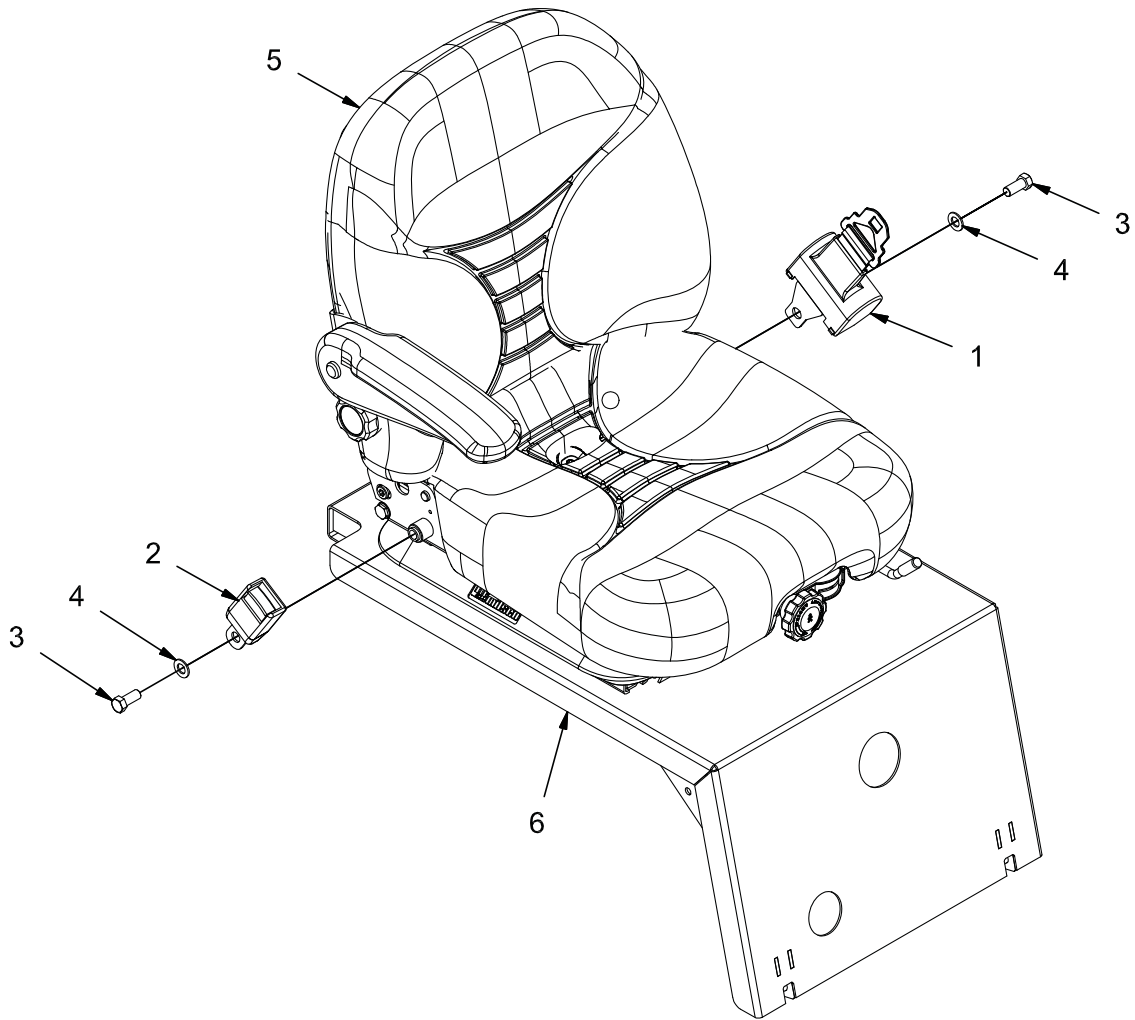


REV B

**OPTION - BACKUP ALARM GROUP (730008)**

Parts List 730008			
ITEM	PART NUMBER	QTY	DESCRIPTION
1	11038072	2	BOLT, M6-1.00 X 16 HH
2	11039567	2	BOLT, M8-1.25 X 25 HH SS
3	12040044	2	NUT, M6-1.00 ESN
4	12040259	2	NUT, M8-1.25 ESN SS
5	3303002	1	ALARM, BACKUP
6	3342546-1	1	HARNESS, SWITCH, WHISKER
7	3400045	2	SCREW, #8-32 X .625 PAN HD ZP
8	3400082	4	NUT, FIBER INSERT #8-32
9	3400096	2	FLATWASHER, #8
10	620136	2	BOLT, #8-32 X 1.25 HH ZP
11	730310	1	PUMP, AUX
12	731002	1	MOUNT, REVERSE SWITCH
13	731030	1	MOUNT, SAFETY LIGHTS
14	REF.	-	ADJUSTER, HYDROBACK W/SW MNT
15	REF.	-	PUMP ASSEMBLY
16	REF.	-	SOLUTION TANK
17	REF.	-	HYDROBACK MOUNT
	748980	1	HARNESS, SAFETY LT & BACKUP ALARM

OPTION - SEAT BELT (FOR SUSPENSION SEAT) GROUP (730009)



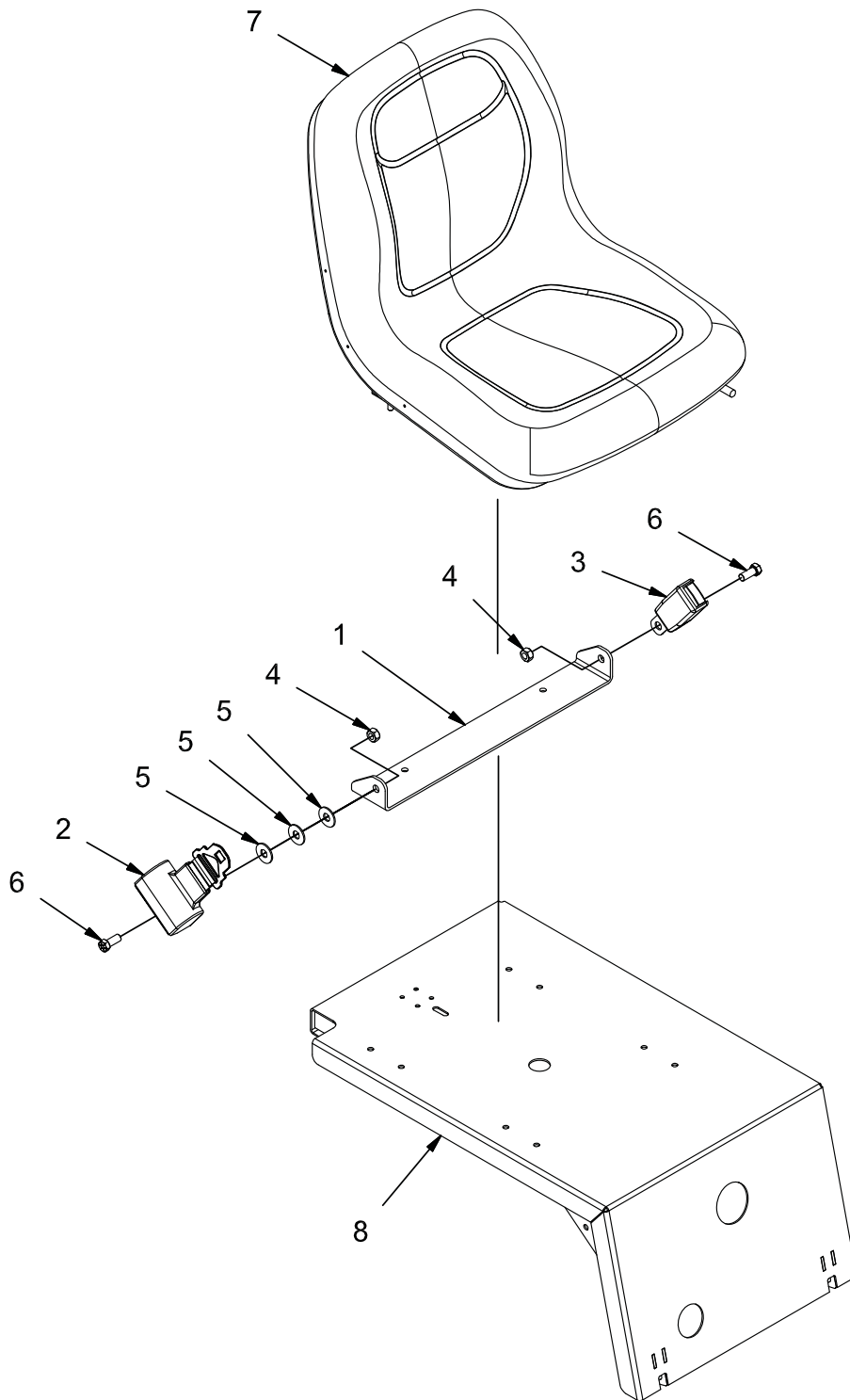
REV \*



**OPTION - SEAT BELT (FOR SUSPENSION SEAT) GROUP (730009)**

Parts List - 730009			
ITEM	PART NUMBER	QTY	DESCRIPTION
1	PART OF 620192	1	SEAT BELT RETRACTOR
2	PART OF 620192	1	SEAT BELT RECEIVER
3	PART OF 620192	2	BOLT, 7/16-20 x 1.00
4	PART OF 620192	2	7/16 FLAT WASHER
-	620192	1	KIT, SEAT BELT
5	REF.	-	SEAT, SUSPENSION
6	REF.	-	SEAT MOUNT

OPTION - SEAT BELT (FOR STANDARD SEAT) GROUP (730010)

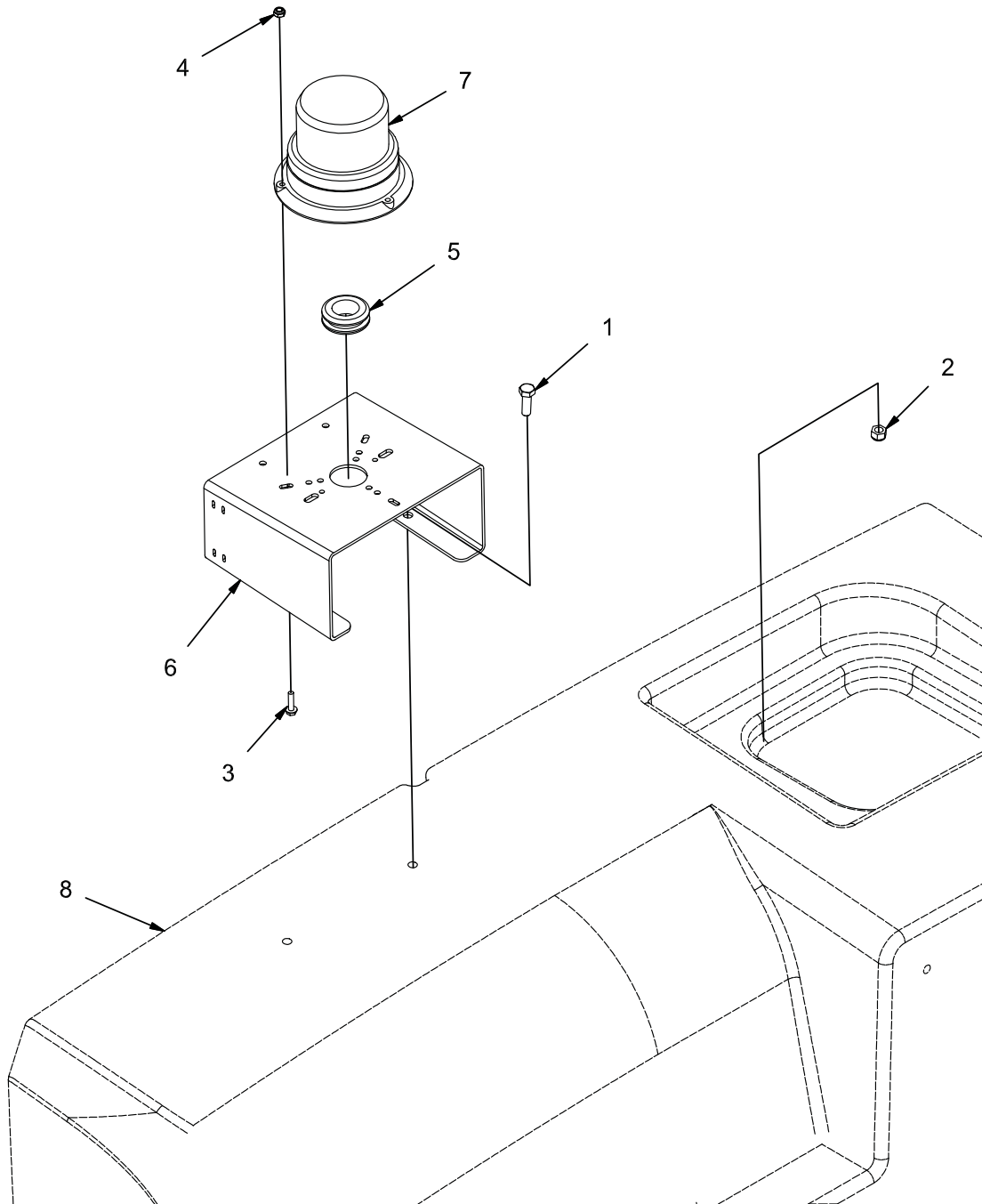


REV \*

**OPTION - SEAT BELT (FOR STANDARD SEAT) GROUP (730010)**

Parts List - 730010			
ITEM	PART NUMBER	QTY	DESCRIPTION
1	620222	1	BRACKET, SEAT BELT
2	PART OF 620192	1	SEAT BELT RETRACTOR
3	PART OF 620192	1	SEAT BELT RECEIVER
4	PART OF 620192	2	NUT, 7/16-20
5	PART OF 620192	3	WASHER
6	PART OF 620192	2	BOLT, 7/16-20
-	620192	1	KIT, SEAT BELT
7	REF.	-	SEAT
8	REF.	-	WELDMENT, SEAT MNT

OPTION - STROBE LIGHT GROUP (ON SOLUTION TANK) (730012)

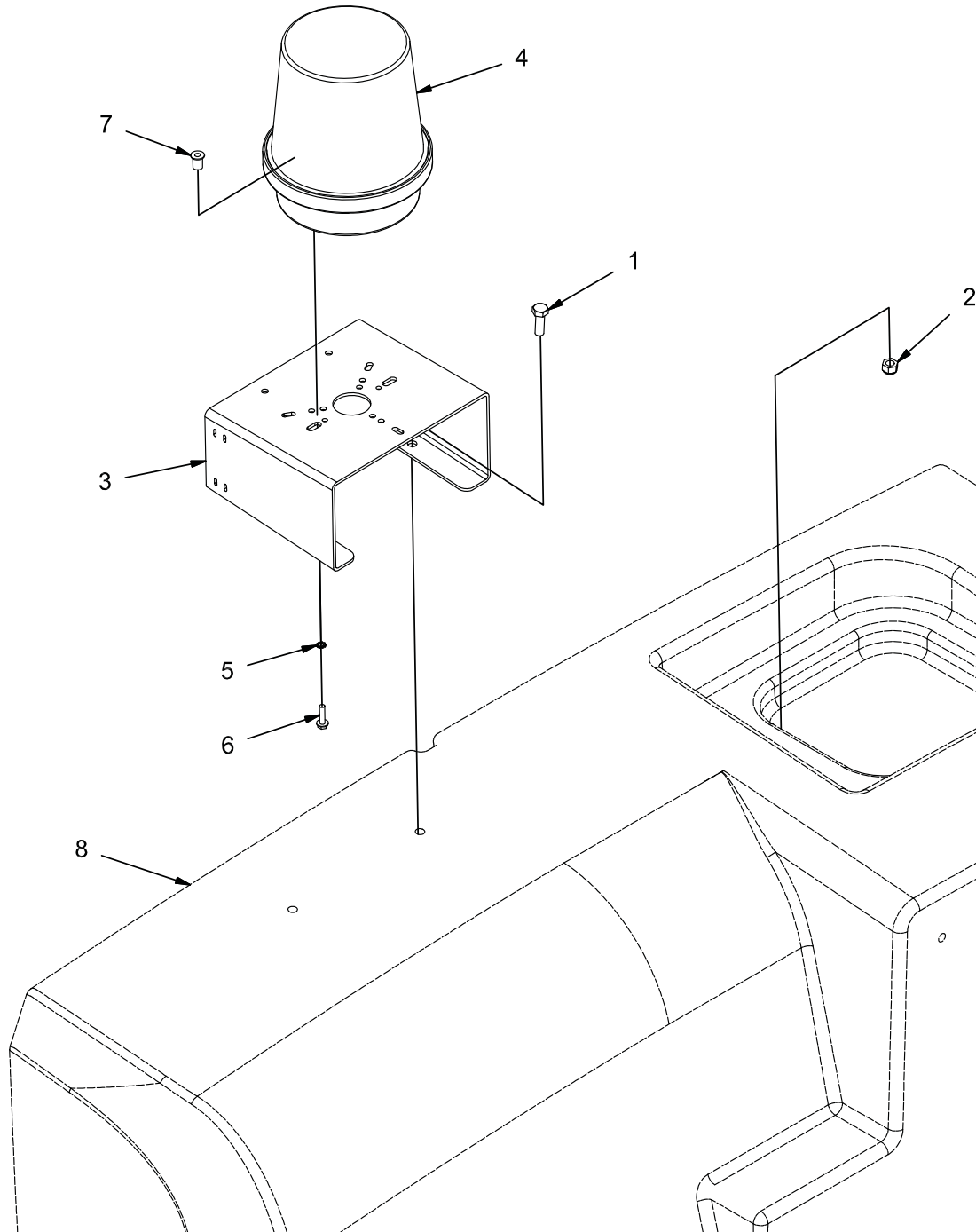


REV B

**OPTION - STROBE LIGHT GROUP (ON SOLUTION TANK) (730012)**

Parts List 730012			
ITEM	PART NUMBER	QTY	DESCRIPTION
1	11039567	2	BOLT, M8-1.25 X 25 HH SS
2	12040259	2	NUT, M8-1.25 ESN SS
3	3400044	3	SCR-HEX,#10-32 X 0.75 ZP
4	3400172	3	NUT, 10-32 ESN
5	620160	1	GROMMET, 1.00 ID .1.375 OD .25 T
6	731030	1	MOUNT, SAFETY LIGHTS
7	748918	1	ASSEMBLY, AMBER STROBE LIGHT
8	REF.	-	SOLUTION TANK
-	748980	1	HARNESS, SAFETY LIGHT & BACKUP ALARM

OPTION - ROTATING LIGHT GROUP (ON SOLUTION TANK) (730013)

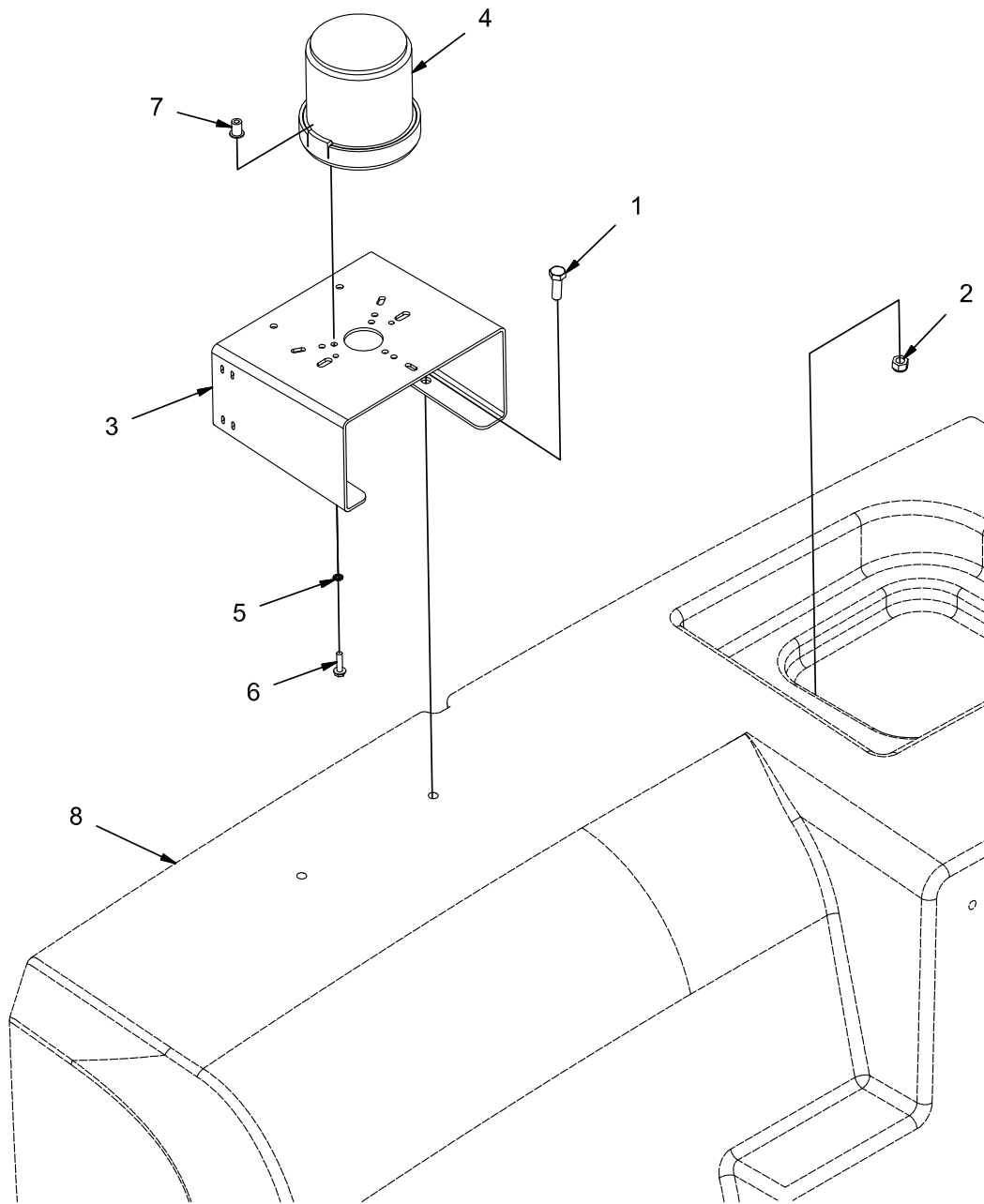


REV B

**OPTION - ROTATING LIGHT GROUP (ON SOLUTION TANK) (730013)**

Parts List 730013			
ITEM	PART NUMBER	QTY	DESCRIPTION
1	11039567	2	BOLT, M8-1.25 X 25 HH SS
2	12040259	2	NUT, M8-1.25 ESN SS
3	731030	1	MOUNT, SAFETY LIGHTS
4	748919	1	ASSEMBLY, AMBER ROTATING LIGHT
5	PART OF 748919	2	STAR WASHER
6	PART OF 748919	2	SCREW
7	PART OF 748919	2	NUT, EXPANSION
8	REF.	-	SOLUTION TANK
	748980	1	HARNESS, SAFETY LIGHT & BACKUP ALARM

OPTION - FLASHING LIGHT GROUP (ON SOLUTION TANK) (730014)



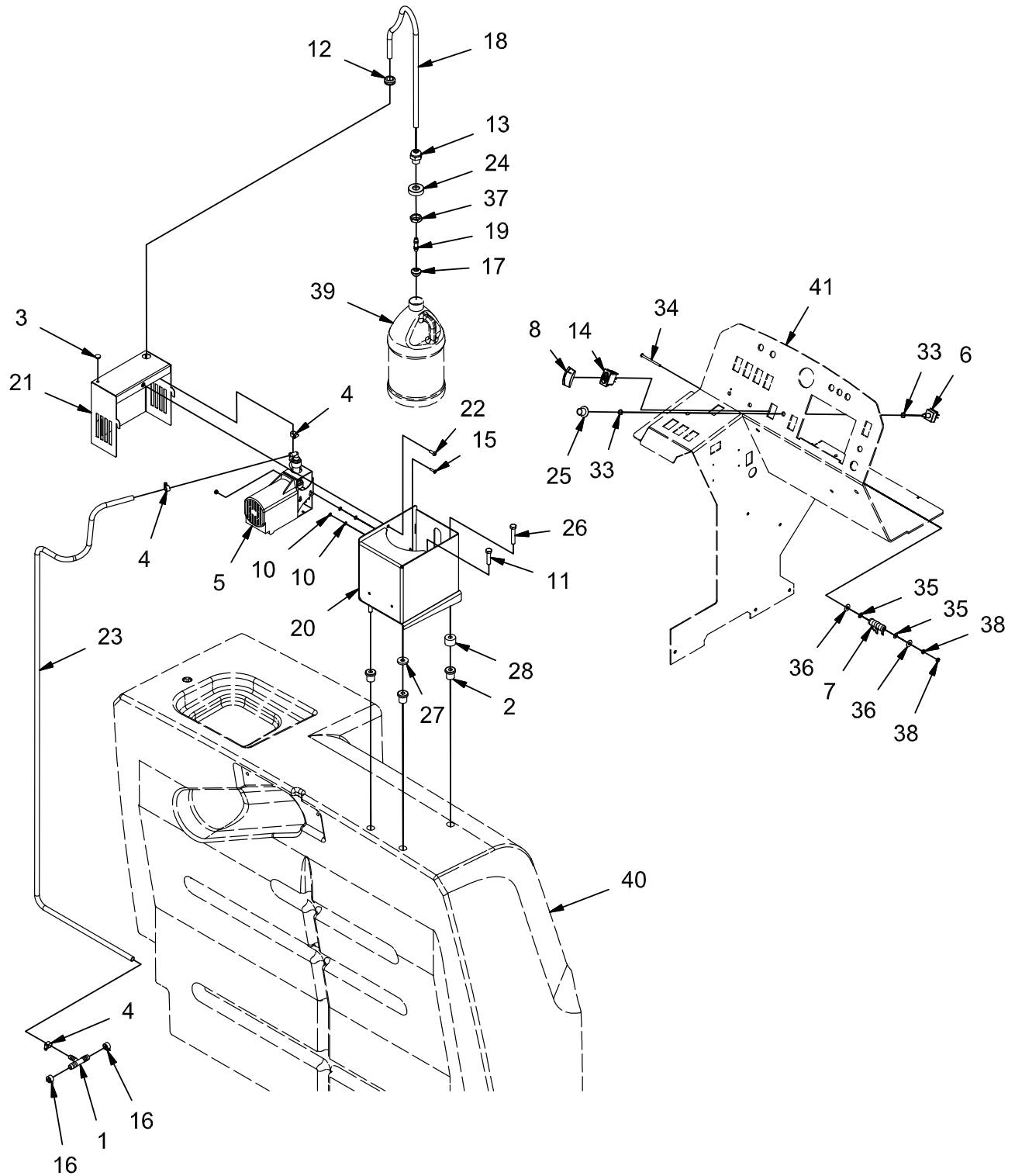
REV B



**OPTION - FLASHING LIGHT GROUP (ON SOLUTION TANK) (730014)**

Parts List 730014			
ITEM	PART NUMBER	QTY	DESCRIPTION
1	11039567	2	BOLT, M8-1.25 X 25 HH SS
2	12040259	2	NUT, M8-1.25 ESN SS
3	731030	1	MOUNT, SAFETY LIGHTS
4	748920	1	ASSEMBLY, AMBER FLASHING LIGHT
5	PART OF 748920	2	STAR WASHER
6	PART OF 748920	2	SCREW
7	PART OF 748920	2	NUT, EXPANSION
8	REF.	-	SOLUTION TANK
	748980	1	HARNESS, SAFETY LIGHT & BACKUP ALARM

OPTION - CHEMICAL METERING GROUP (730015)

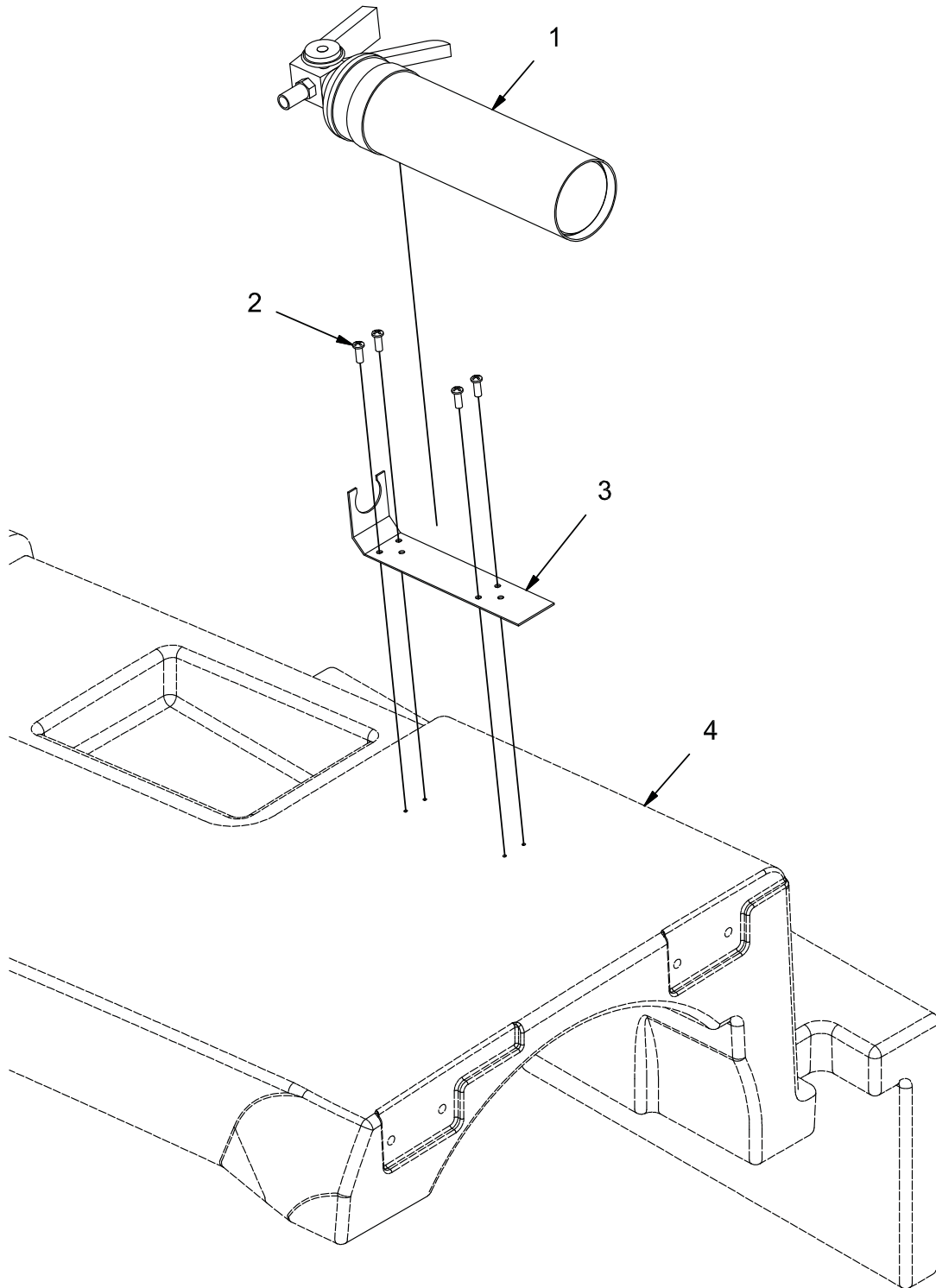


REV B

**OPTION - CHEMICAL METERING GROUP (730015)**

Parts List 730015			
ITEM	PART NUMBER	QTY	DESCRIPTION
1	172400	1	FITTING, TEE, .38 X .50 X .50 POLY
2	3300465	3	ISOLATOR, VIB
3	3300526	1	BUMPER, .25 ID .125 T
4	3302144	3	CLAMP, HOSE, .50 - 1.00
5	3303001	1	PUMP, METERING
6	3303072	1	SWITCH, ROTARY, 4-WAY
7	3323992	1	RESISTOR
8	3342273	1	SWITCH COVER - BLACK, CLEAR LENS
9	3400082	2	NUT, FIBER INSERT #8-32
10	3400096	4	FLATWASHER, #8
11	3400455	2	SCREW, 3/8-16 X 1.50 HH SS
12	600151	1	GROMMET, .63 ID .88 OD .25 T
13	600482	1	STRAIN RELIEF
14	620137	1	SWITCH BODY, DPST W/GREEN LAMP
15	710230	2	SCREW, #8-32 X .62 PAN HD
16	730962	2	CLAMP, WIRE HOSE
17	731105	1	STAINER, SUCTION, 40 MESH
18	731106	1	TUBING, .375 ID X .06 WALL VINYL
19	731107	1	FITTING, .38 HOSE BARB COUPLING, NYLON
20	731111	1	WELDMENT, CHEMICAL PUMP MNT
21	731114-1	1	ASSEMBLY, PUMP COVER
22	731116	1	SCREW, M6-1.00 X 16 BUTTON HD CAP ZP
23	731117	1	TUBING, .375 ID X .06 WALL VINYL
24	731119	1	CAP, CHEMICAL CONTAINER
25	731187	1	KNOB
26	731213	1	BOLT, 3/8-16 X 2.00 HH SS
27	731385	1	SPACER, .406 B 1.125 OD .188 T
28	731386	1	SPACER, .406 B 1.125 OD .750 T
29	748461	1	HARNESS ASSY, SPRAY PUMP
30	748462	1	HARNESS ASSY, SPRAY PUMP
31	748463	1	HARNESS ASSY, SPRAY PUMP
32	748464	1	WIRE ASSY
33	PART OF 3303072	2	NUT
34	PART OF 3323983	1	SCREW, #10-32 X 2.63
35	PART OF 3323983	2	WASHER, RIDGE
36	PART OF 3323983	2	FLAT WASHER, .31
37	PART OF 600482	1	NUT, PLASTIC
38	PART OF 3323983	2	NUT, #19-32
39	REF.	-	CHEMICAL CONTAINER
40	REF.	-	SOLUTION TANK
41	REF.	-	CONSOLE

OPTION - FIRE EXTINGUISHER GROUP (730016)

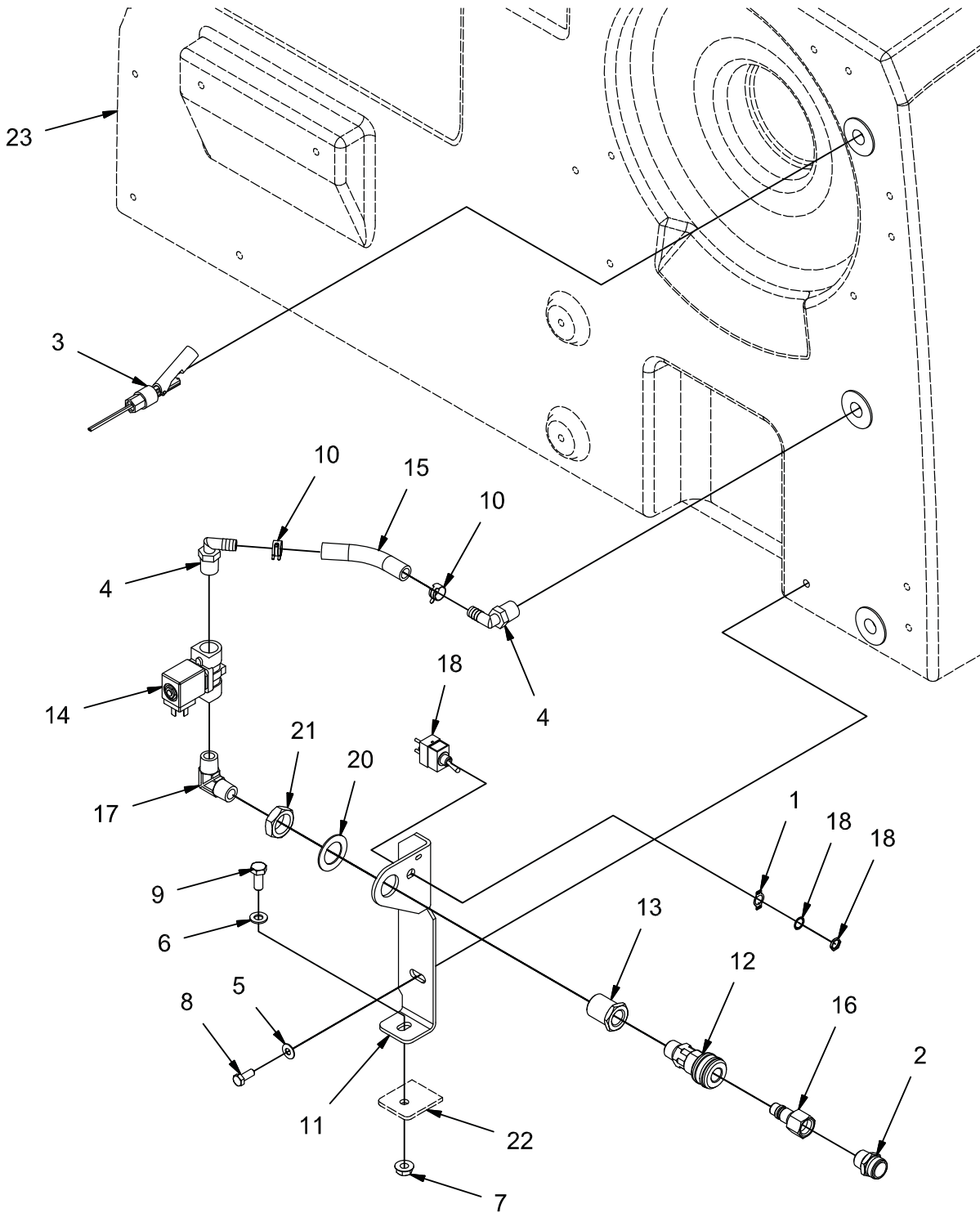


REV \*

**OPTION - FIRE EXTINGUISHER GROUP (730016)**

Parts List 730016			
ITEM	PART NUMBER	QTY	DESCRIPTION
1	3302769	1	FIRE EXTINGUISHER
2	731099	4	SCREW, M6 X 16 PAN HD ZP FOR PLASTIC
3	PART OF 3302769	1	MOUNT, EXTINGUISHER
4	REF.	-	TOP COVER

OPTION - AUTO FILL GROUP (730017)

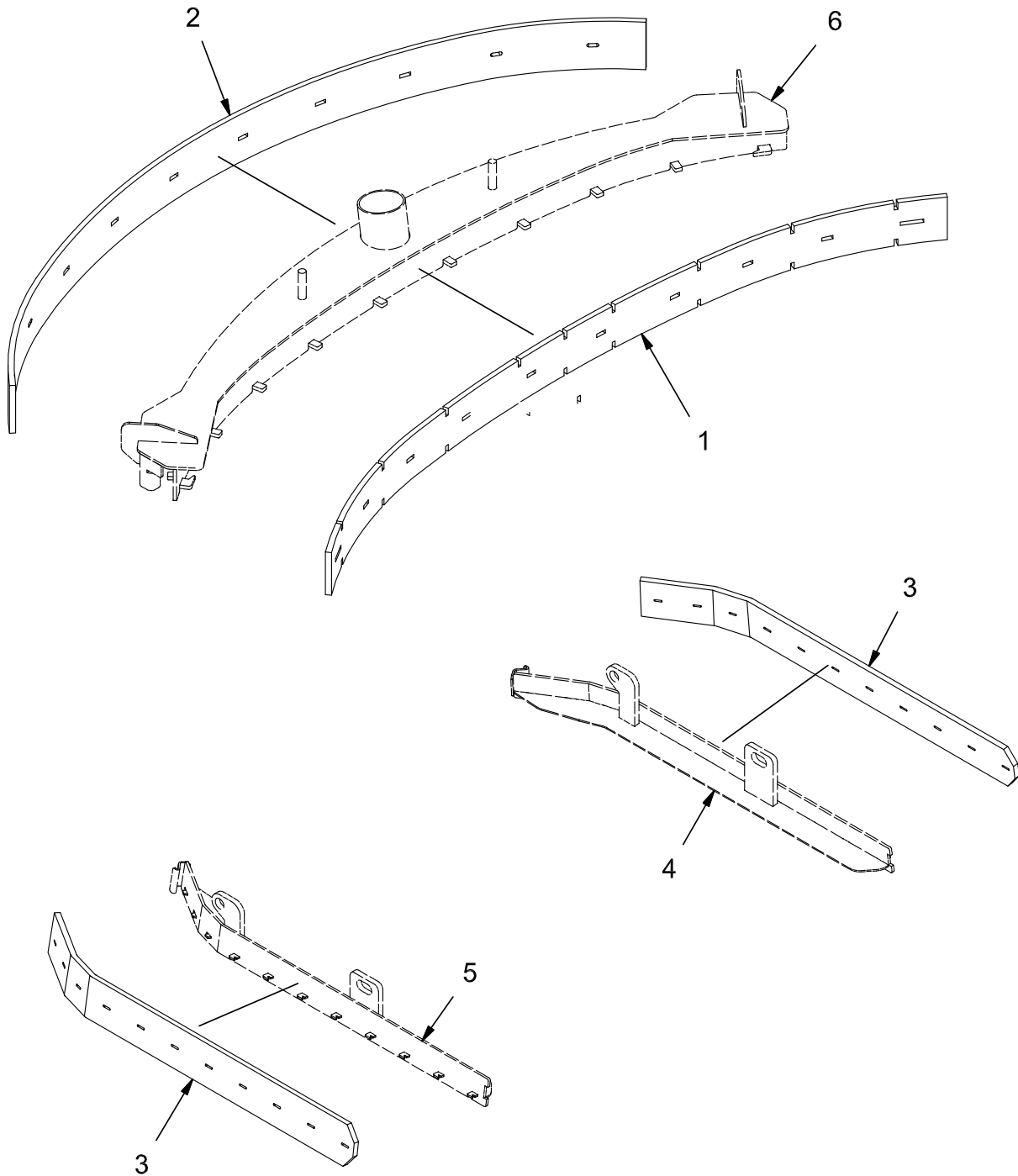


REV A

**OPTION - AUTO FILL GROUP (730017)**

Parts List 730017			
ITEM	PART NUMBER	QTY	DESCRIPTION
1	101020	1	INDICATOR PLATE
2	281426	1	FITTING, MALE GARDEN HOSE
3	3302737-1	1	WIRE ASSY, SWITCH, FLOAT
4	3315535	2	FITTING, PLASTIC, 90, .50 NPT .50 BARB
5	3400384	1	WASHER, 5/16 BELLEVILLE
6	3400385	1	WASHER, 3/8, BELLEVILLE
7	600936	1	NUT, M10-1.50 FLNG
8	717030	1	BOLT, M8-1.25 X 20 HH SS
9	730958	1	BOLT, M10-1.50 X 25 HH SS
10	730962	2	CLAMP, WIRE HOSE
11	731042	1	BRACKET, AUTO FILL
12	731043	1	COUPLER, QUICK DISCONNECT
13	731044	1	FITTING, BULKHEAD COUPLING
14	731045	1	VALVE, SOLENOID WATER
15	731046	1	TUBING, .50 ID, VINYL
16	731048	1	FITTING, QUICK DISCONNECT NIPPLE
17	731049	1	FITTING, ELBOW
18	747693-1	1	SWITCH ASM, TOGGLE, SPDT
19	748989	1	HARNESS, AUTO FILL
20	PART OF 731044	1	WASHER
21	PART OF 731044	1	NUT
22	REF.	-	FRAME
23	REF.	-	SOLUTION TANK

OPTION - URETHANE SQUEEGEE BLADE GROUP (730024)



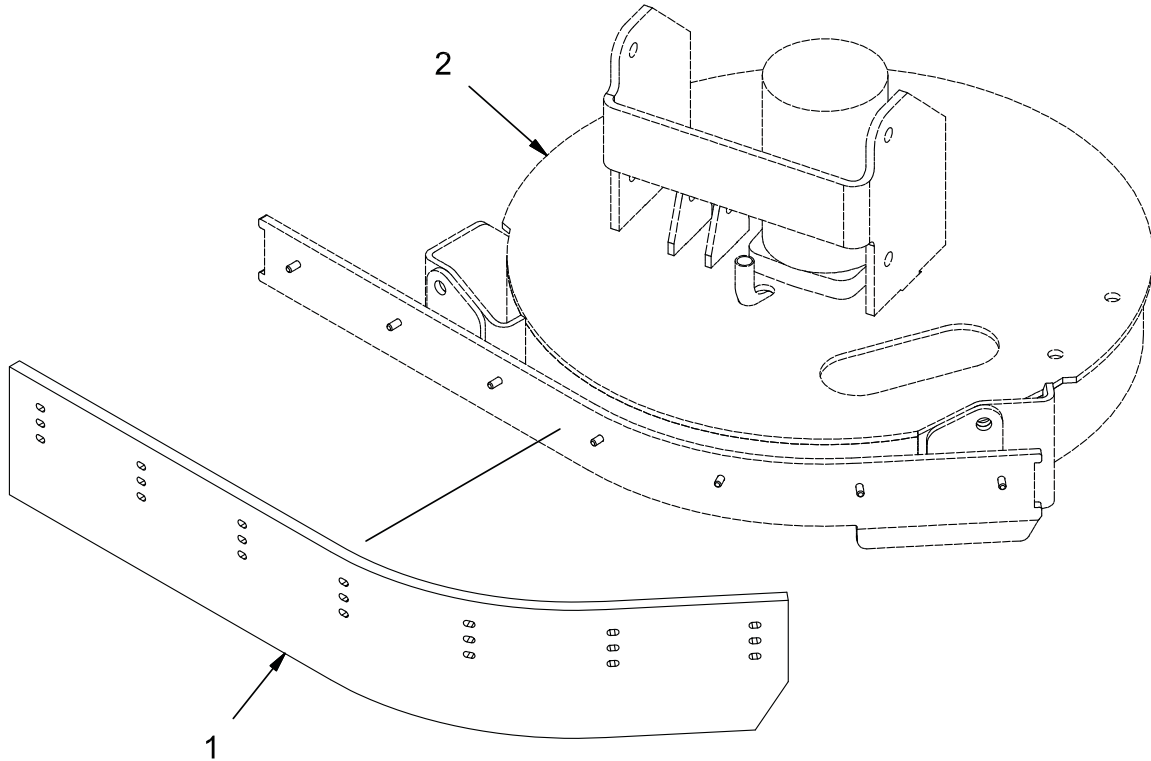
REV \*



**OPTION - URETHANE SQUEEGEE BLADE GROUP (730024)**

Parts List 730024			
ITEM	PART NUMBER	QTY	DESCRIPTION
1	731101	1	SQUEEGEE BLADE, FRONT, URETHANE
2	731102	1	SQUEEGEE BLADE, REAR, URETHANE
3	731103	2	SQUEEGEE, SIDE, URETHANE
4	REF.	-	LH SQUEEGEE MOUNT
5	REF.	-	RH SQUEEGEE MOUNT
6	REF.	-	SQUEEGEE WELDMENT

OPTION - URETHANE SIDE BRUSH SQUEEGEE GROUP (730025)

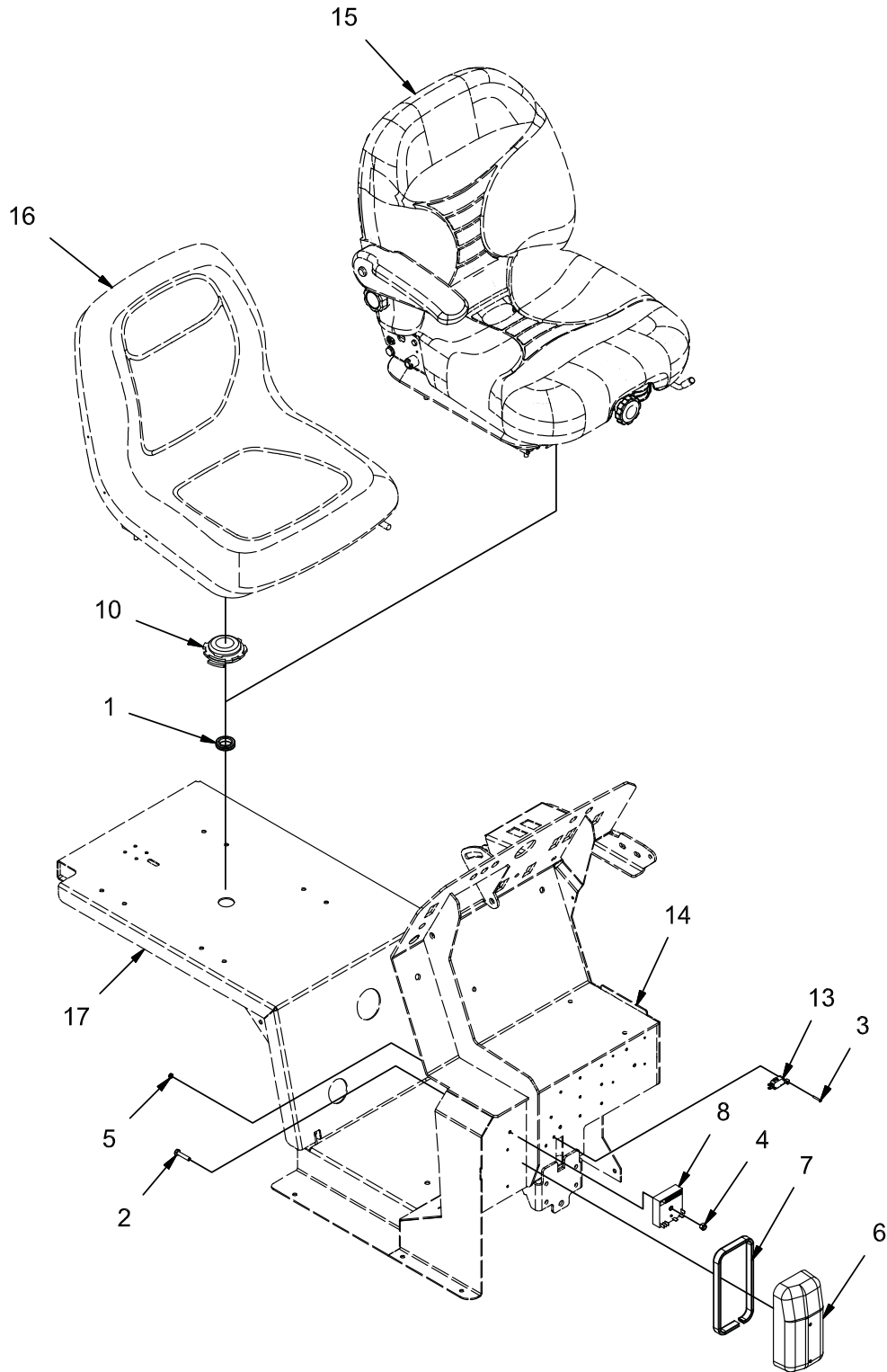


REV \*

**OPTION - URETHANE SIDE BRUSH SQUEEGEE GROUP (730025)**

Parts List 730025			
ITEM	PART NUMBER	QTY	DESCRIPTION
1	731104	1	SSB SQUEEGEE BLADE, URETHANE
2	REF.	-	SSB MOUNT

OPTION - SEAT SWITCH (730031)

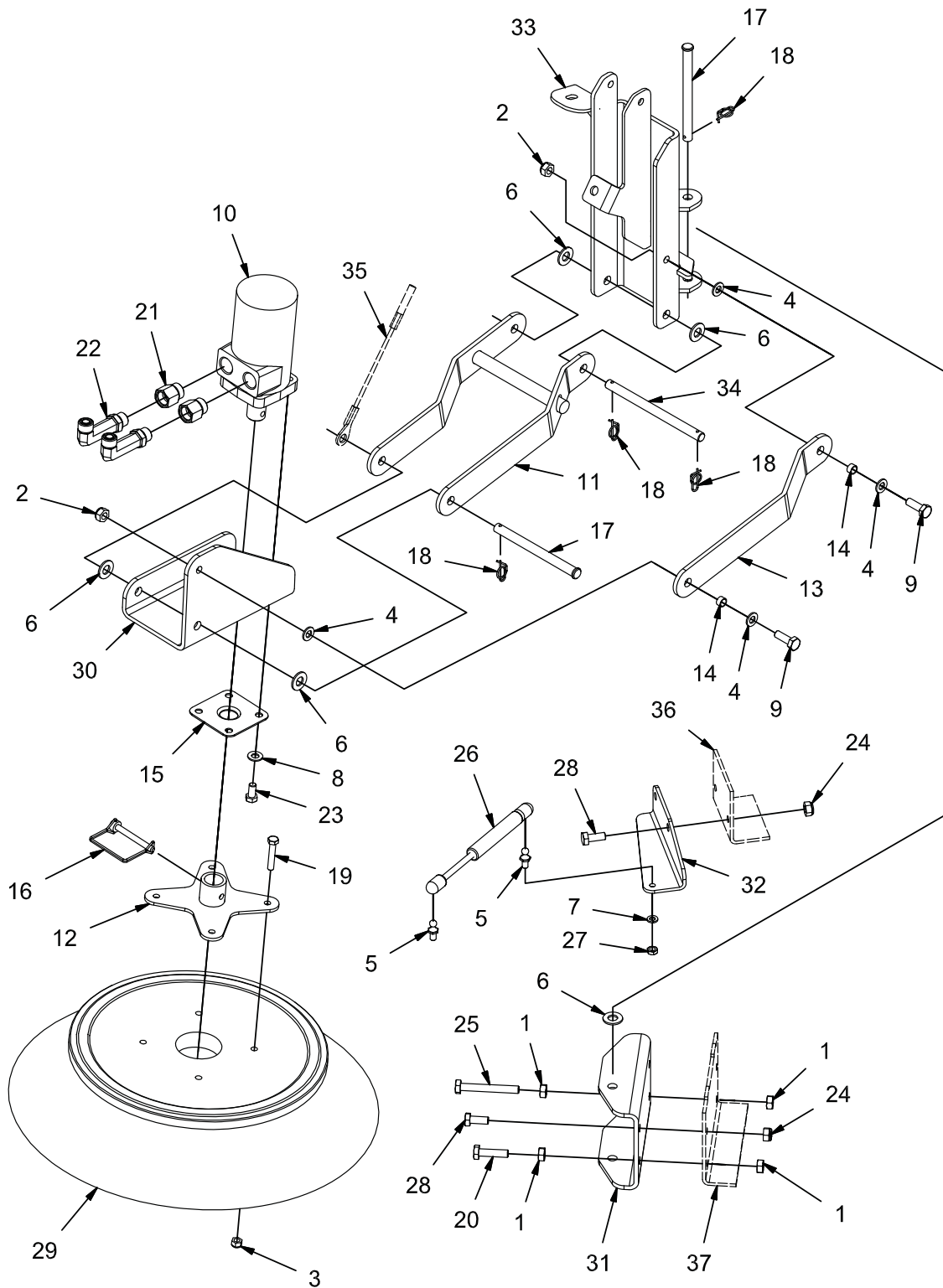


REV A

**OPTION - SEAT SWITCH (730031)**

Parts List 730031			
ITEM	PART NUMBER	QTY	DESCRIPTION
-	748456	1	HARNESS, SWITCH BYPASS
-	748444	1	STD SEAT SWITCH HARNESS
1	220327	1	GROMMET. 1.25 X 1.00 X .125
2	3400227	1	SCREW, 1/4-20 X 1.25 HH ZP
3	710493	2	SCR-MC RND HD 4-40 X .75 ZP
4	711373	1	NUT, FIBER INSERT 1/4-20
5	712348	2	NUT, HEX 4-40 NYLON LOCK, ZP
6	731275	1	COVER, TIMER/CONTROLLER
7	731276	1	SEAL, CONTROLLER
8	748430	1	TIMER
10	748445	1	SWITCH - N/O TWIST LOCK (USED WITH STANDARD SEAT ONLY)
12	748999	1	SEAT SWITCH HARNESS
13	90636234	1	MICRO-SWITCH
14	REF.	-	CONSOLE
15	REF.	-	OPTIONAL SUSPENSION SEAT
16	REF.	-	STANDARD SEAT
17	REF.	-	SEAT MNT

OPTION - SIDE BROOM GROUP (730032)



REV \*

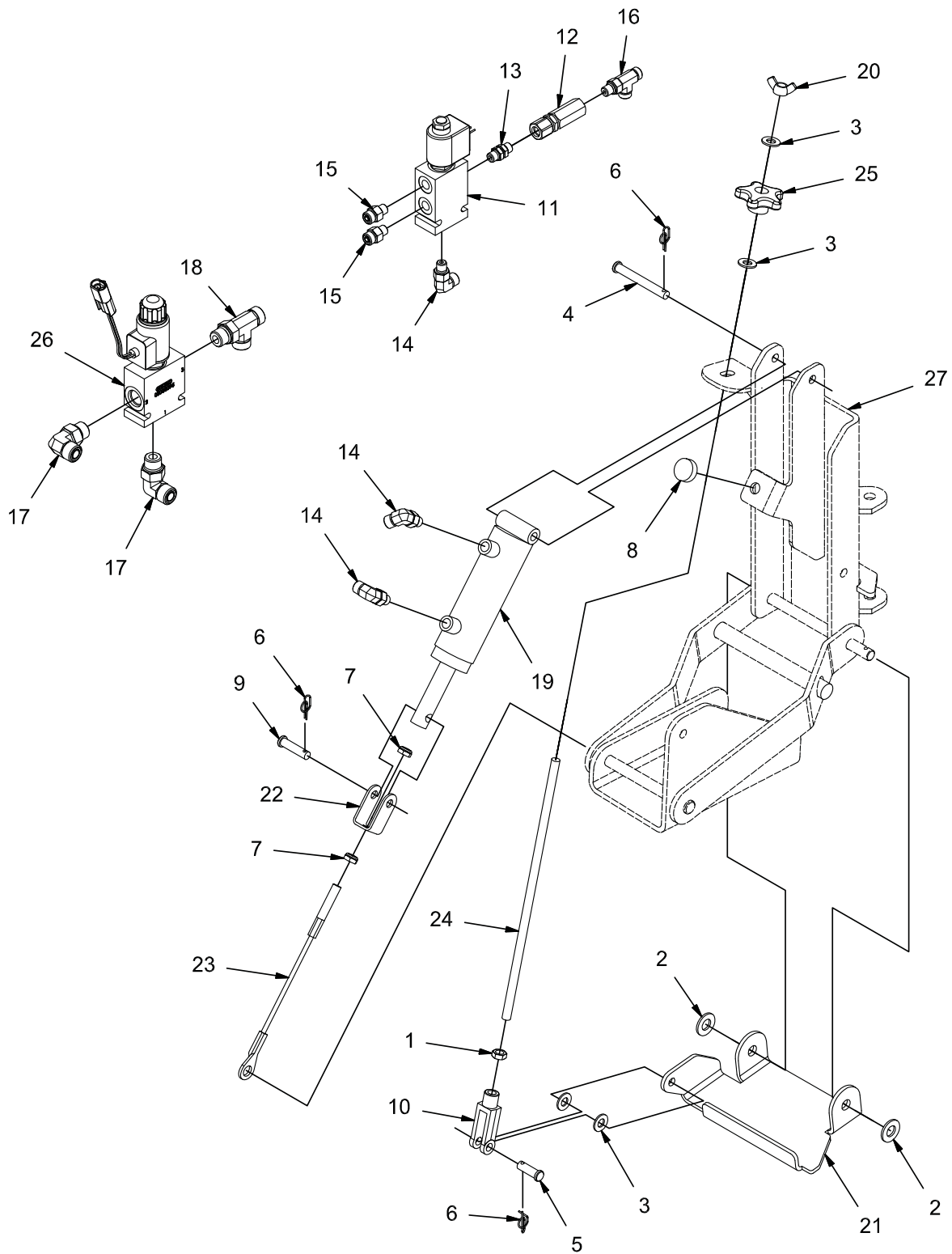
**OPTION - SIDE BROOM GROUP (730032)**

Parts List 730032			
ITEM	PART NUMBER	QTY	DESCRIPTION
1	12022067	4	NUT, M10-1.50 HEX
2	12040069	2	NUT, M10-1.50 ESN
3	12040259	4	NUT, M8-1.25 ESN SS
4	12310058	4	WASHER, M10
5	3300376	2	STUD, 10MM BALL
6	3400086	5	WASHER, 1/2, 1.063 X .531 X .094
7	3400102	2	LOCK WASHER, 5/16 HS MED
8	3400385	4	WASHER, 3/8, BELLEVILLE
9	3401051	2	BOLT, M10-1.50 X 30 HH
10	600217	1	MOTOR, 17.9 DISP
11	600303	1	WELDMENT, SB TRAILING ARM
12	600322	1	WELDMENT, SB FLANGE
13	600325	1	SB LINK
14	600327	2	SPACER, .406 B .50 OD .280 T
15	600330	1	STRING GUARD
16	600566	1	PIN, WIRE LOCK, .313
17	600571	2	PIN, CLEVIS 1/2 X 6.00
18	600578	4	RUE-RING, .50
19	600820	4	BOLT, M8-1.25 X 45 HH
20	600962	1	BOLT, M10-1.50 X 40 HH FULL THRD
21	3400166	2	FITTING, REDUCER -10 SAE -8 SAE
22	675606	2	FITTING, LONG ELBOW -8 ORFS -8 SAE
23	713041	4	SCREW, 3/8-16 X .750 HHC
24	730339	4	NUT, M10-1.50 ESN SS
25	730424	1	BOLT, M10-1.50 X 80 HH ALL-THRD
26	730902	1	GAS STRUT, 8.77 EXT, 3.00 STK, 200N
27	730904	2	NUT, 5/16-18 HEX JAM SS
28	730958	4	BOLT, M10-1.50 X 25 HH SS
29	731274	1	BROOM, SIDE, 20"
30	731278	1	MOUNT, SB MOTOR
31	731279	1	MOUNT, SB PIVOT
32	731280	1	MOUNT, SB GAS STRUT
33	731285	1	WELDMENT, SB PIVOT
34	731290	1	PIN, RETAINING
35	REF.	-	SB CABLE
36	REF.	-	FRAME
37	REF.	-	FRAME

**GROUP (730037) - OPTION SIDE BROOM, INCLUDES SUB-GROUPS:**

**730032, 730033, 730034(N/A), 730028(SEE PAGES 148-149), 730029(SEE PAGES 150-151).**

OPTION - SIDE BROOM LIFT AND ADJUSTMENT GROUP (730033)



REV A

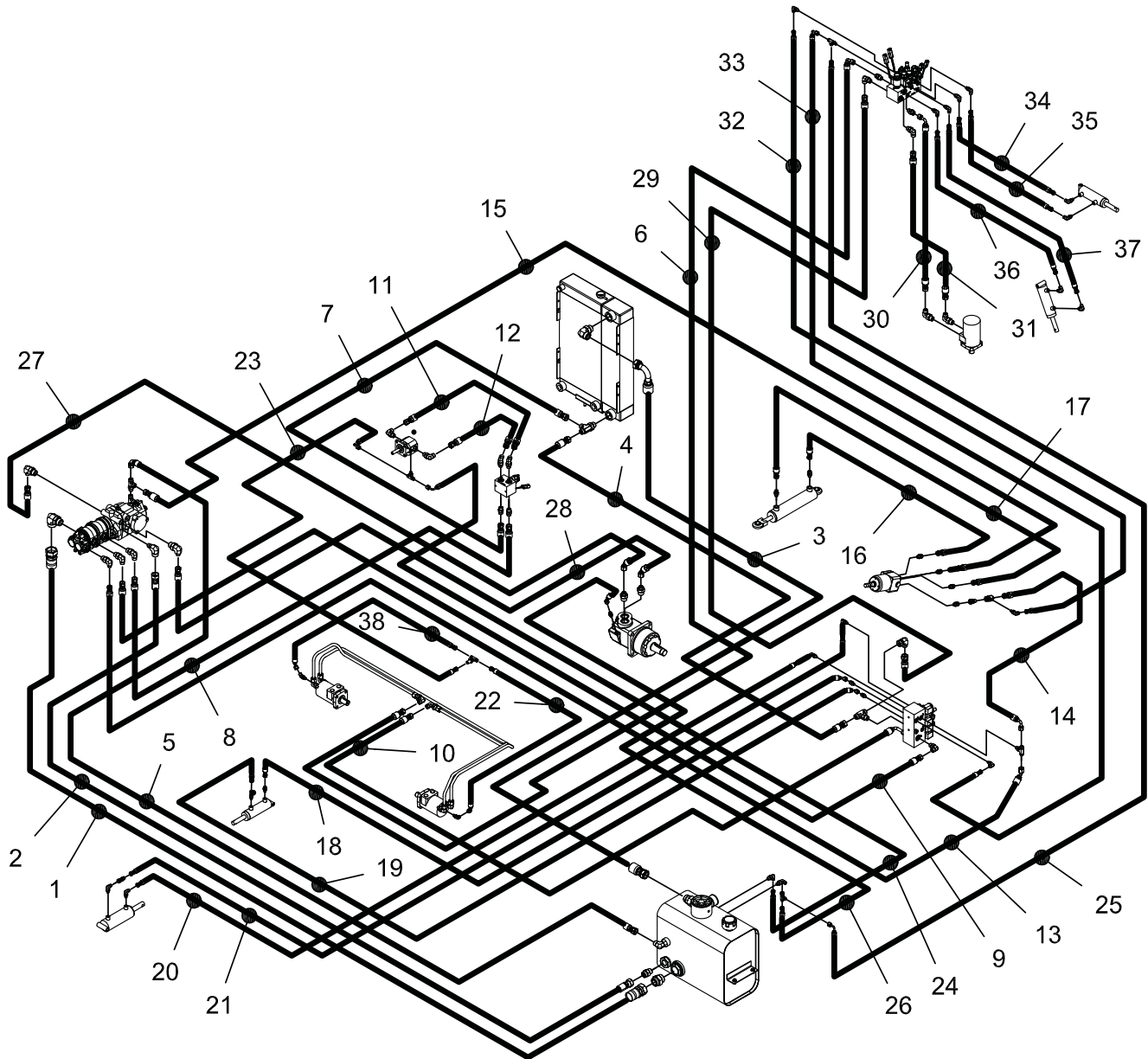


**OPTION - SIDE BROOM LIFT AND ADJUSTMENT GROUP (730033)**

Parts List 730033			
ITEM	PART NUMBER	QTY	DESCRIPTION
1	3400075	1	NUT, HEX JAM 3/8-24
2	3400086	6	WASHER, 1/2, 1.063 X .531 X .094
3	3400087	4	WASHER, 3/8
4	3400115	1	PIN, CLEVIS, .375 X 3.00
5	3400117	1	PIN, CLEVIS 3/8 X 1.125
6	3400125	3	RUE-RING, .375
7	3401028	2	NUT, FIBER INSERT 3/8-16 JAM
8	600117	1	BUMPER, 1.00 X .339 T
9	600573	1	PIN, CLEVIS, 3/8 X 1.50
10	600813	1	CLEVIS, 3/8-24
11	620005	1	SOLENOID, 2-POS, 4-WAY, CROSSOVER
12	620008	1	CHECK VALVE
13	620110	1	ADAPTER, #4 O-RING - #4 O-RING
14	675507	3	FITTING, 90, -4 ORFS - 4 SAE
15	675508	2	FITTING, STR, 4 ORFS - 4-SAE
16	675509	1	FITTING, RUN TEE -4 ORFS TO -4 SAE
17	675523	2	FITTING, 90, -8 ORFS - 8 SAE
18	675525	1	FITTING, RUN TEE, 8 ORFS - 8 ORFS - 8 SAE
19	730548	1	CYLINDER, HYD, 1.50 B X 2.88 STK
20	731277	1	WING NUT, 3/8-24, NYLON
21	731281	1	CHANNEL, SB ADJUSTMENT
22	731282	1	CLEVIS, CABLE
23	731283	1	SB CABLE
24	731284	1	ROD, SB ADJUSTMENT
25	731291	1	KNOB, 3/8-24
26	731292	1	ASSEMBLY, SOLENOID VALVE 2-POS 3-WAY
27	REF.	-	PIVOT ASSEMBLY

**GROUP (730037) - OPTION SIDE BROOM, INCLUDES SUB-GROUPS:  
730032, 730033, 730034(N/A), 730028(SEE PAGES 148-149), 730029(SEE PAGES 150-151).**

OPTION - SIDE BRUSH HYDRAULIC HOSE ROUTING (730038)

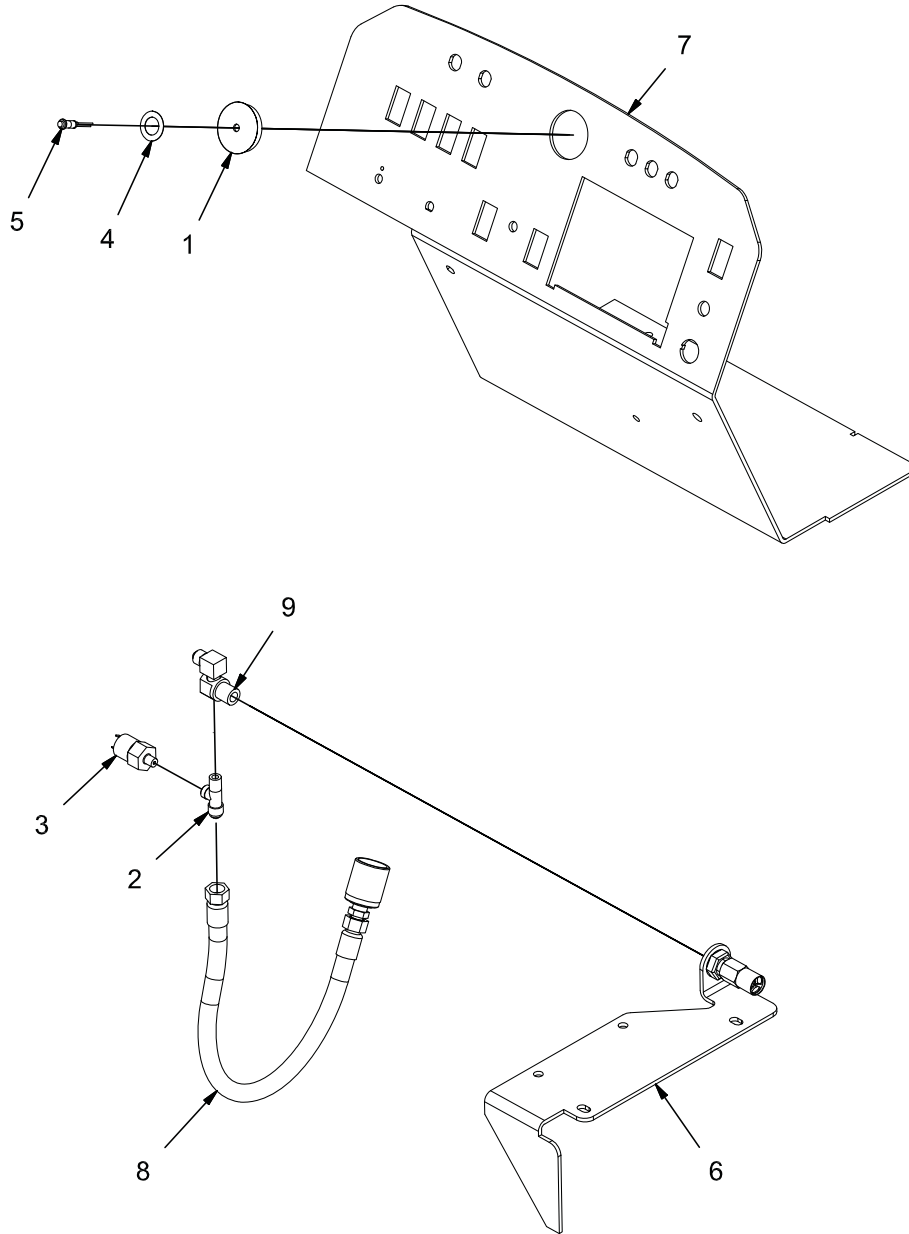


REV B

**OPTION - SIDE BRUSH HYDRAULIC HOSE ROUTING (730038)**

Parts List 730038			
ITEM	PART NUMBER	QTY	DESCRIPTION
1	731051	1	HOSE, 20 STR - 20 STR SUC (RES TO AUX PUMP IN)
2	731052	1	HOSE, 12 STR - 12 STR SUC (RES TO VDP CASE)
3	731053	1	HOSE, 16 STR - 16 90 RET (COOLER UPPER TO RES)
4	731054	1	HOSE, 10 STR - 10 STR RET (VALVE T2 TO COOLER)
5	731055	1	HOSE, 10 STR - 8 90 RET (VDP CASE TO RES)
6	731079	1	HOSE, 8 STR - 8 90 MED (LH MB TO SSB VALVE P2)
7	731057	1	HOSE, 8 STR - 10 STR MED (IMP SOL T TO COOLER)
8	731058	1	HOSE, 8 STR - 8 STR MED (AUX PUMP 1 TO IMP SOL P)
9	731059	1	HOSE, 8 STR - 8 STR MED (AUX PUMP 2 TO VALVE P2)
10	731060	1	HOSE, 8 STR - 8 90 MED (VALVE MB OUT TO MB RIGHT)
11	731061	1	HOSE, 8 STR - 8 90 MED (IMP SOL VF OUT TO IMP LEFT)
12	731062	1	HOSE, 8 STR - 8 90 MED (IMP RIGHT TO IMP SOL VF IN)
13	731063	1	HOSE, 6 STR - 6 90 MED (AUX PUMP 3 TO VALVE P1)
14	731064	1	HOSE, 6 STR - 6 90 MED (VALVE P1 TO STR PRESS)
15	731065	1	HOSE, 6 STR - 8 STR RET ( STR TANK TO VDP CASE)
16	731066	1	HOSE, 6 STR - 6 STR MED (STR LEFT TO CYL F)
17	731067	1	HOSE, 6 STR - 6 STR MED ( STR RIGHT TO CYL R)
18	731068	1	HOSE, 4 STR - 4 45 MED (VALVE BL A TO SH CYL F)
19	731069	1	HOSE, 4 STR - 4 45 MED (VALVE BL A TO SH CYL R)
20	731070	1	HOSE, 4 STR - 4 STR MED (VALVE SG B TO SQU CYL F)
21	731071	1	HOSE, 4 STR - 4 STR MED (VALVE SG A TO SQU CYL R)
22	731072	1	HOSE, 4 STR - 4 45 MED (RH MB CASE TO SCRUB HEAD TEE)
23	731073	1	HOSE, 4 STR - 4 90 MED (SCRUB HD TO IMP CASE)
24	731074	1	HOSE, 4 STR - 4 90 MED (IMP CASE TO RES)
25	731075	1	HOSE, 4 STR - 4 90 MED (SSB VALVE T1 TO RES)
26	731076	1	HOSE, 4 STR - 4 45 MED (WHEEL DRIVE CASE TO RES)
27	731077	1	HOSE, 8 STR - 8 45 SPCL (VDP L TO WHEEL DRIVE R)
28	731078	1	HOSE, 8 STR - 8 45 SPCL (VDP R TO WHEEL DRIVE F)
29	731081	1	HOSE, 10 STR - 8 45 MED (VALVE T2 TO SSB VALVE T2)
30	731082	1	HOSE, 8 STR - 8 90 MED (SSB VALVE SB OUT TO SB R)
31	731083	1	HOSE, 8-STR - 8 STR MED (SSB VALVE SB IN TO SB F)
32	731084	1	HOSE, 4-STR - 4 STR MED (STR TEE TO SSB VALVE P1)
33	731085	1	HOSE, 4 STR - 4 90 MED (VALVE T1 TO SSB VALVE T1)
34	731089	1	HOSE, 4 STR - 4 STR MED (SSB VALVE SBE A TO EXT CYL L)
35	731087	1	HOSE, 4 STR - 4 STR MED (SSB VALVE SBE B TO EXT CYL R)
36	731088	1	HOSE, 4 STR - 4 STR MED (SSB VALVE SBL A TO LIFT CYL U)
37	731089	1	HOSE, 4 STR - 4 STR MED (SSB VALVE SBL B TO LIFT CYL L)
38	731168	1	HOSE, 4 STR - 4 45 MED (LH MB CASE TO SCRUB HEAD TEE)

OPTION - LOW LP INDICATOR GROUP (730042)

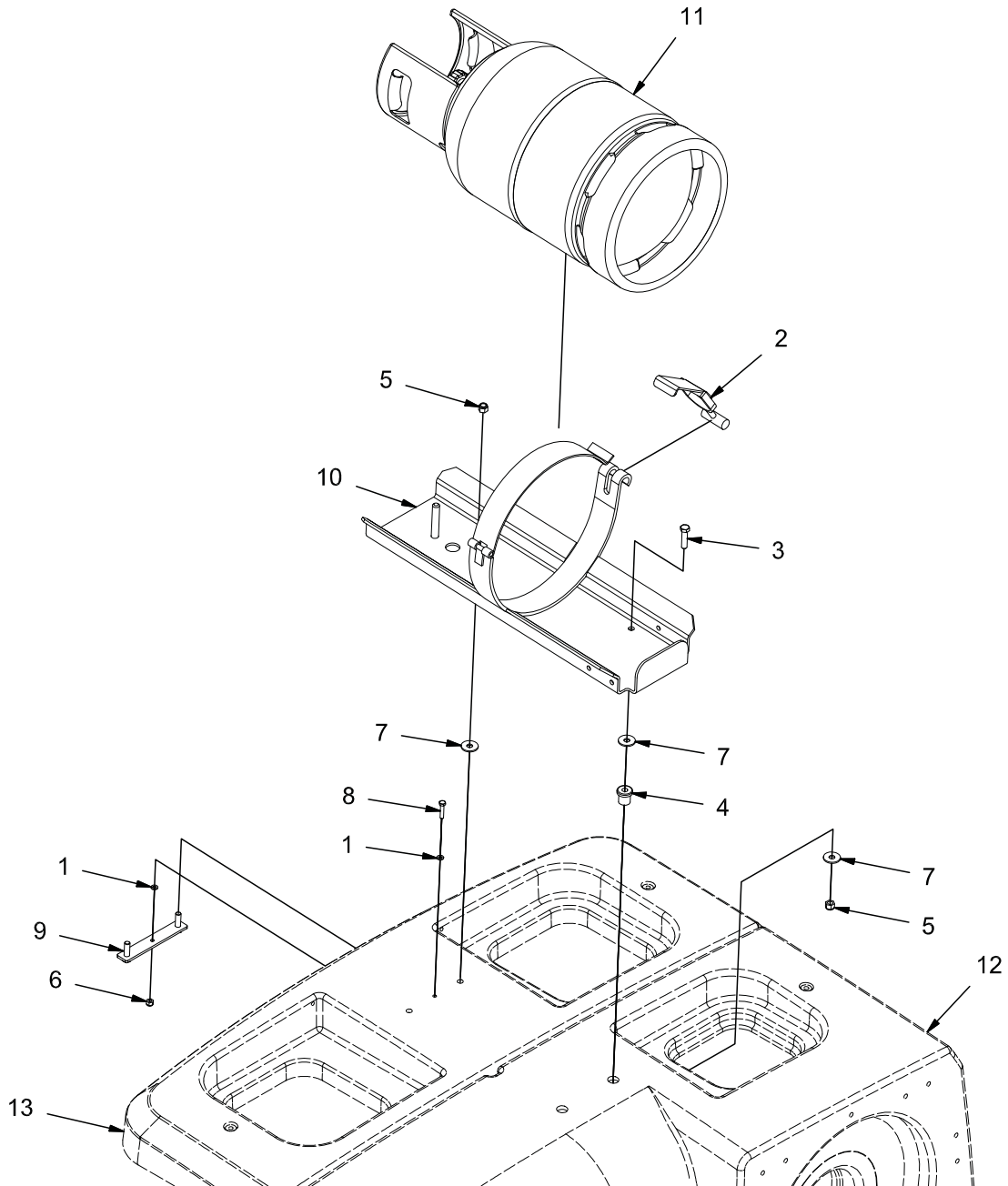


REV \*

**OPTION - LOW LP INDICATOR GROUP (730042)**

Parts List 730042			
ITEM	PART NUMBER	QTY	DESCRIPTION
1	3301822-1	1	PLUG, PLASTIC, W/ MOUTING HOLE
2	3305535-2	1	TEE, BRASS
3	3305535-3	1	LP INDICATOR SENSOR
4	3305535-4	1	LPG LABEL
5	748960	1	ASSY, INDICATOR LAMP, LO LP
6	REF.	-	FRAME WITH PRESSURE RELIEF VALVE
7	REF.	-	INSTRUMENT PANEL
8	REF.	-	LP TANK HOSE
9	REF.	-	RELIEF VALVE MOUNT
-	748770	1	WIRE ASSY, LOW LP INDICATOR

OPTION - RESERVE LPG TANK GROUP (730160)

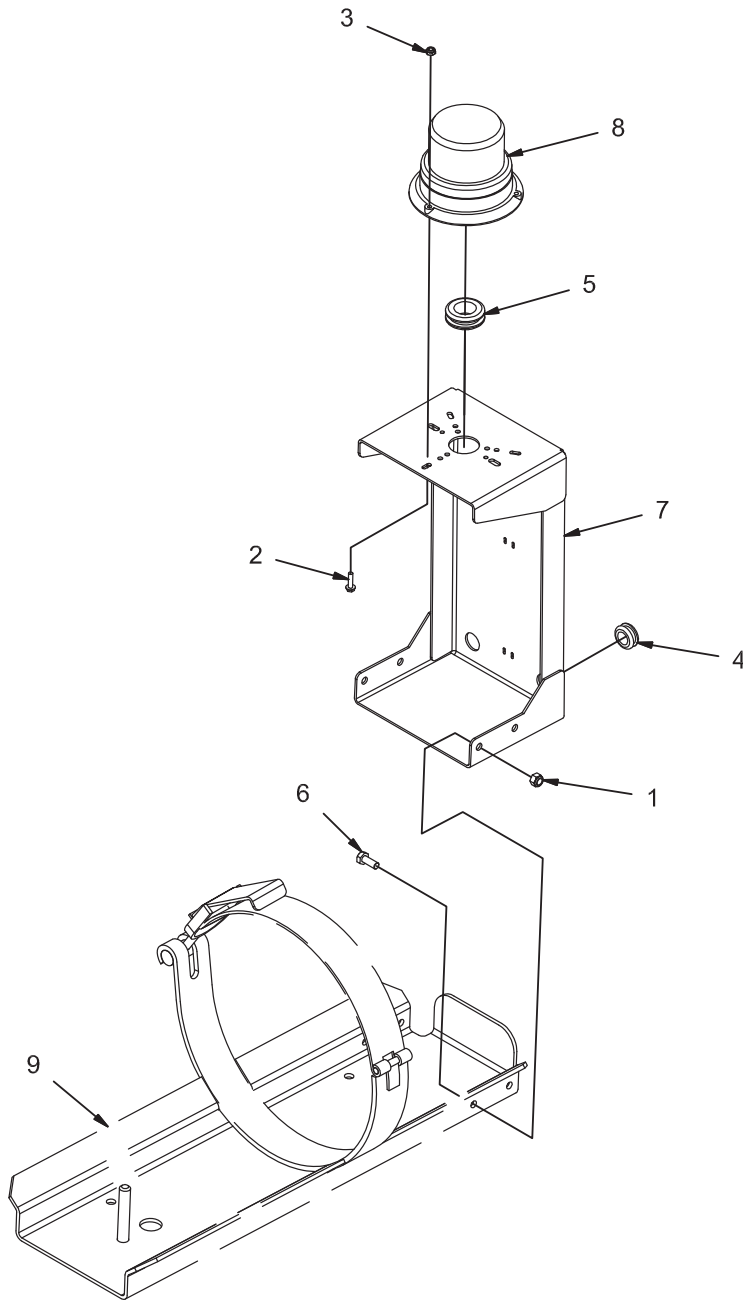


REV \*

**OPTION - RESERVE LPG TANK GROUP (730160)**

Parts List 730160			
ITEM	PART NUMBER	QTY	DESCRIPTION
1	12310256	2	WASHER, M6, SS
2	220131	1	BUCKLE
3	3400455	2	SCREW, 3/8-16 X 1.50 HH SS
4	3300465	2	ISOLATOR, VIB
5	3400340	4	NUT, 3/8-16 ESN SS
6	600933	1	NUT, M6-1.00 ESN SS
7	717040	6	WASHER, FENDER, .413 B 1.18 OD .098 T SS
8	731050	1	BOLT, M6-100 X 30 HH SS
9	730993	1	WELDMENT, BOLT PLT
10	731010	1	WELDMENT, LPG RACK
11	REF.	-	LPG TANK
12	REF.	-	SOLUTION TANK
13	REF.	-	DEMISTER

OPTION - STROBE LIGHT GROUP W/CHEMICAL METERING (730166)



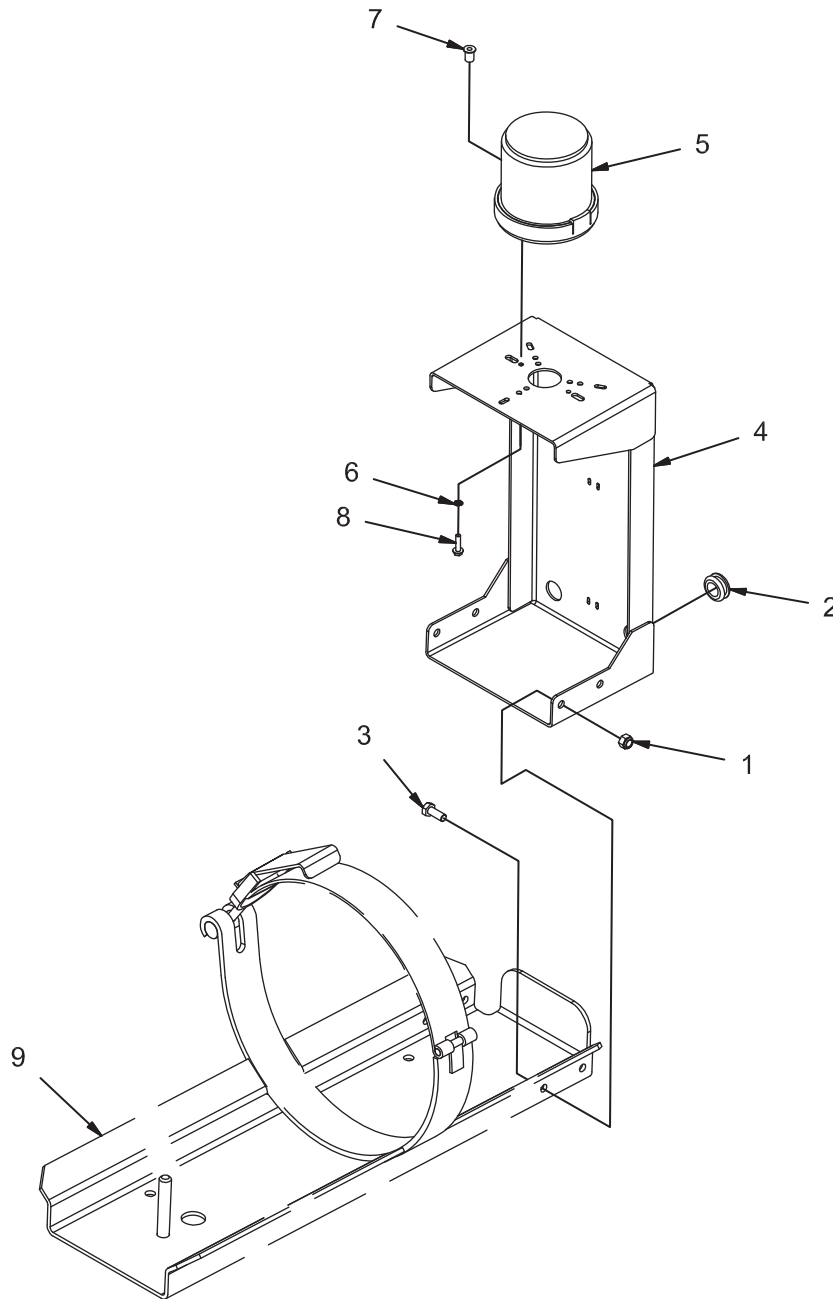
REV \*



**OPTION - STROBE LIGHT GROUP W/CHEMICAL METERING (730166)**

Parts List 730166			
ITEM	PART NUMBER	QTY	DESCRIPTION
1	12040051	4	NUT, M8-1.25 ESN
2	3400044	3	SCR-HEX,#10-32 X 0.75 ZP
3	3400172	3	NUT, 10-32 ESN
4	600151	1	GROMMET, .63 ID .88 OD .25 T
5	620160	1	GROMMET, 1.00 ID .1.375 OD .25 T
6	717024	4	BOLT, M8-1.25 X 20 HH
7	731115-1	1	WELDMENT, SAFETY LIGHT MNT
8	748918	1	ASSEMBLY, AMBER STROBE LIGHT
9	REF.	-	RESERVE LPG RACK

OPTION - ROTATING LIGHT GROUP W/CHEMICAL METERING (730167)

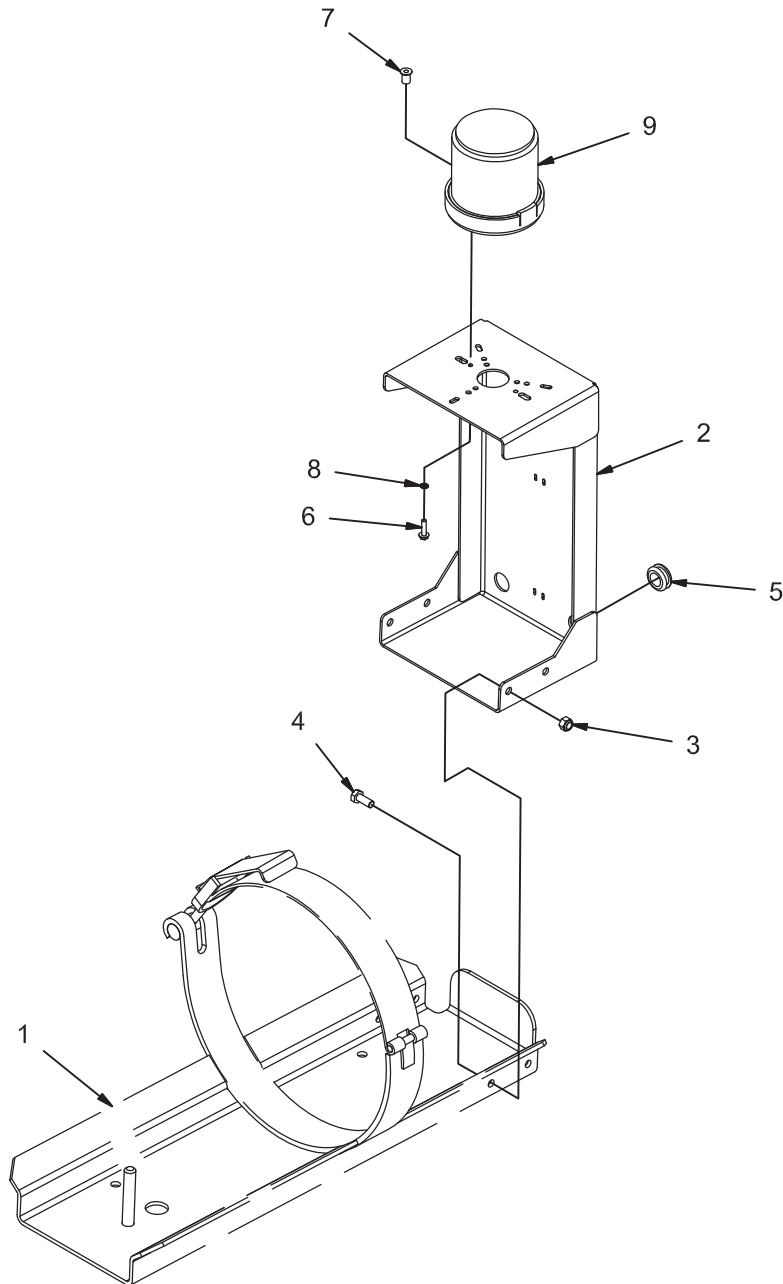


REV \*

**OPTION - ROTATING LIGHT GROUP W/CHEMICAL METERING (730167)**

Parts List 730166			
ITEM	PART NUMBER	QTY	DESCRIPTION
1	12040051	4	NUT, M8-1.25 ESN
2	600151	1	GROMMET, .63 ID .88 OD .25 T
3	717024	4	BOLT, M8-1.25 X 20 HH
4	731115-1	1	WELDMENT, SAFETY LIGHT MNT
5	748920	1	ASSEMBLY, AMBER FLASHING LIGHT
6	PART OF 748919	2	STAR WASHER
7	PART OF 748919	2	NUT, EXPANSION
8	PART OF 748919	2	SCREW
9	REF.	-	RESERVE LPG RACK

OPTION - FLASHING LIGHT GROUP W/CHEMICAL METERING (730168)

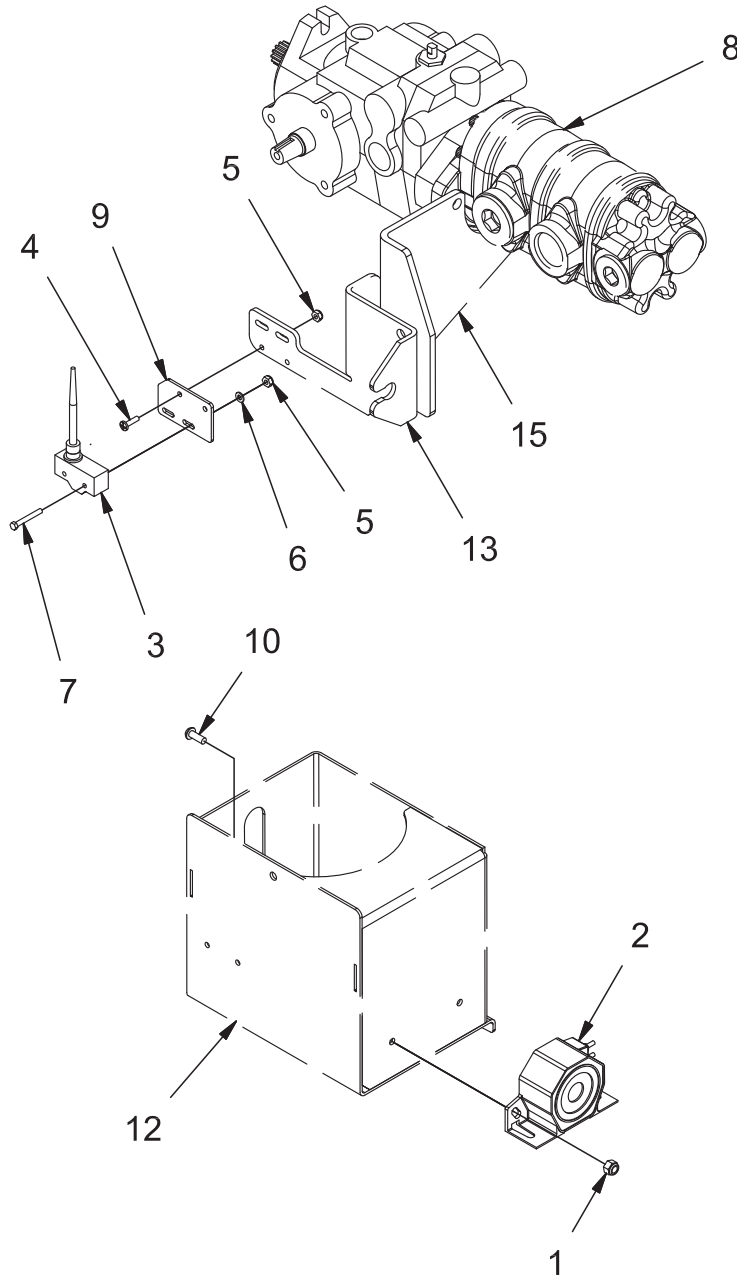


REV \*

**OPTION - FLASHING LIGHT GROUP W/CHEMICAL METERING (730168)**

Parts List 730168			
ITEM	PART NUMBER	QTY	DESCRIPTION
1	REF.	-	RESERVE LPG RACK
2	731115-1	1	WELDMENT, SAFETY LIGHT MNT
3	12040051	4	NUT, M8-1.25 ESN
4	717024	4	BOLT, M8-1.25 X 20 HH
5	600151	1	GROMMET, .63 ID .88 OD .25 T
6	PART OF 748920	2	SCREW
7	PART OF 748920	2	NUT, EXPANSION
8	PART OF 748920	2	STAR WASHER
9	748920	1	ASSEMBLY, AMBER FLASHING LIGHT

OPTION - BACKUP ALARM GROUP - CM, RESERVE LPG IN (730169)



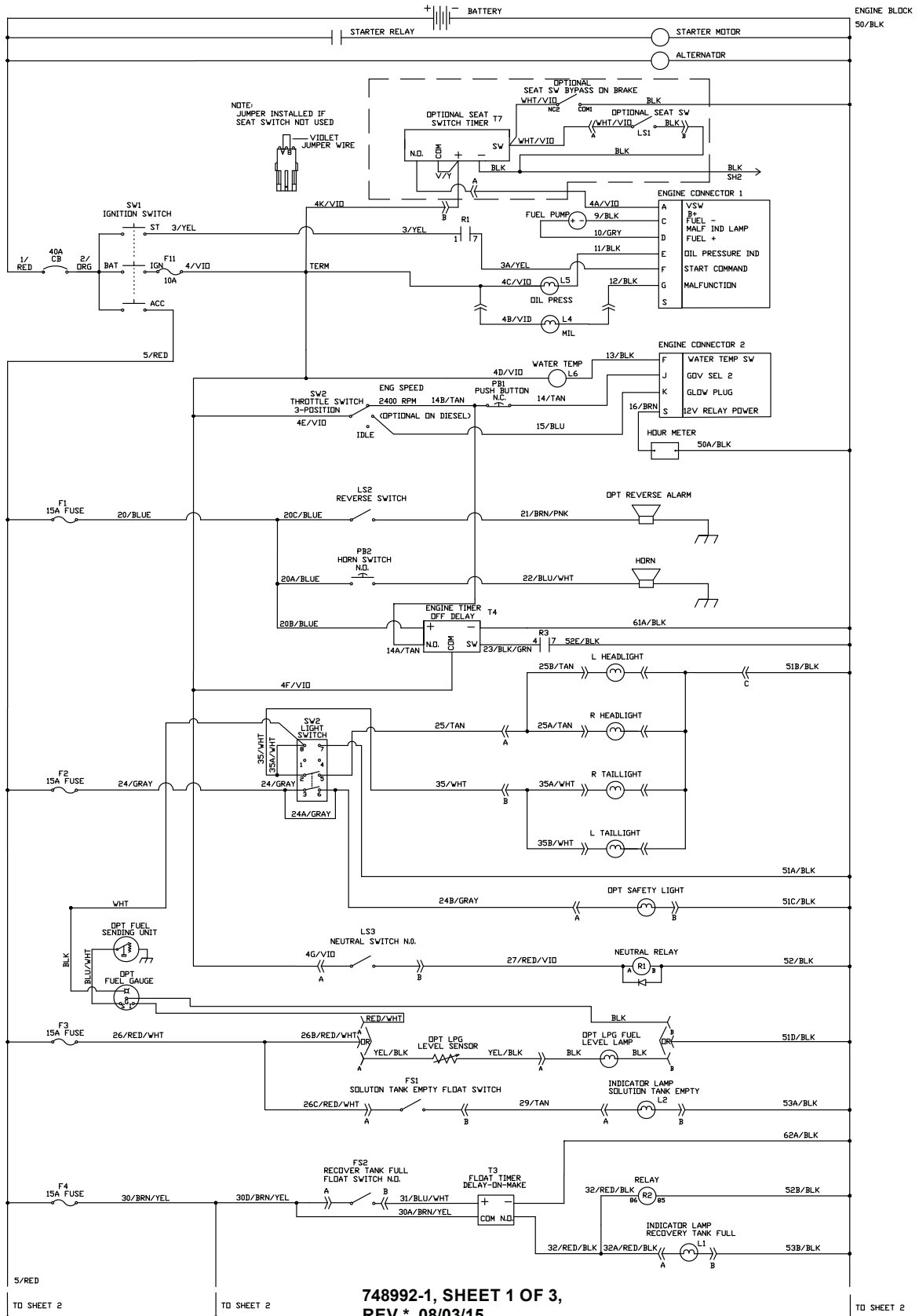
REV A

**OPTION - BACKUP ALARM GROUP - CM, RESERVE LPG IN (730169)**

Parts List 730169			
ITEM	PART NUMBER	QTY	DESCRIPTION
1	12040044	2	NUT, M6-1.00 ESN
2	3303002	1	ALARM, BACKUP
3	3342546-1	1	HARNESS, SWITCH, WHISKER
4	3400045	2	SCREW, #8-32 X .625 PAN HD ZP
5	3400082	4	NUT, FIBER INSERT #8-32
6	3400096	2	FLATWASHER, #8
7	620136	2	BOLT, #8-32 X 1.25 HH ZP
8	730310	1	PUMP, AUX
9	731002	1	MOUNT, REVERSE SWITCH
10	731116	2	SCREW, M6-1.00 X 16 BUTTON HD CAP ZP
11	748980	1	HARNESS, SAFETY LT & BACKUP ALARM
12	REF.	-	CHEMICAL PUMP MNT
13	REF.	-	ADJUSTER, HYDROBACK W/SW MNT
14	REF.	-	PUMP ASSEMBLY
15	REF.	-	HYDROBACK MOUNT

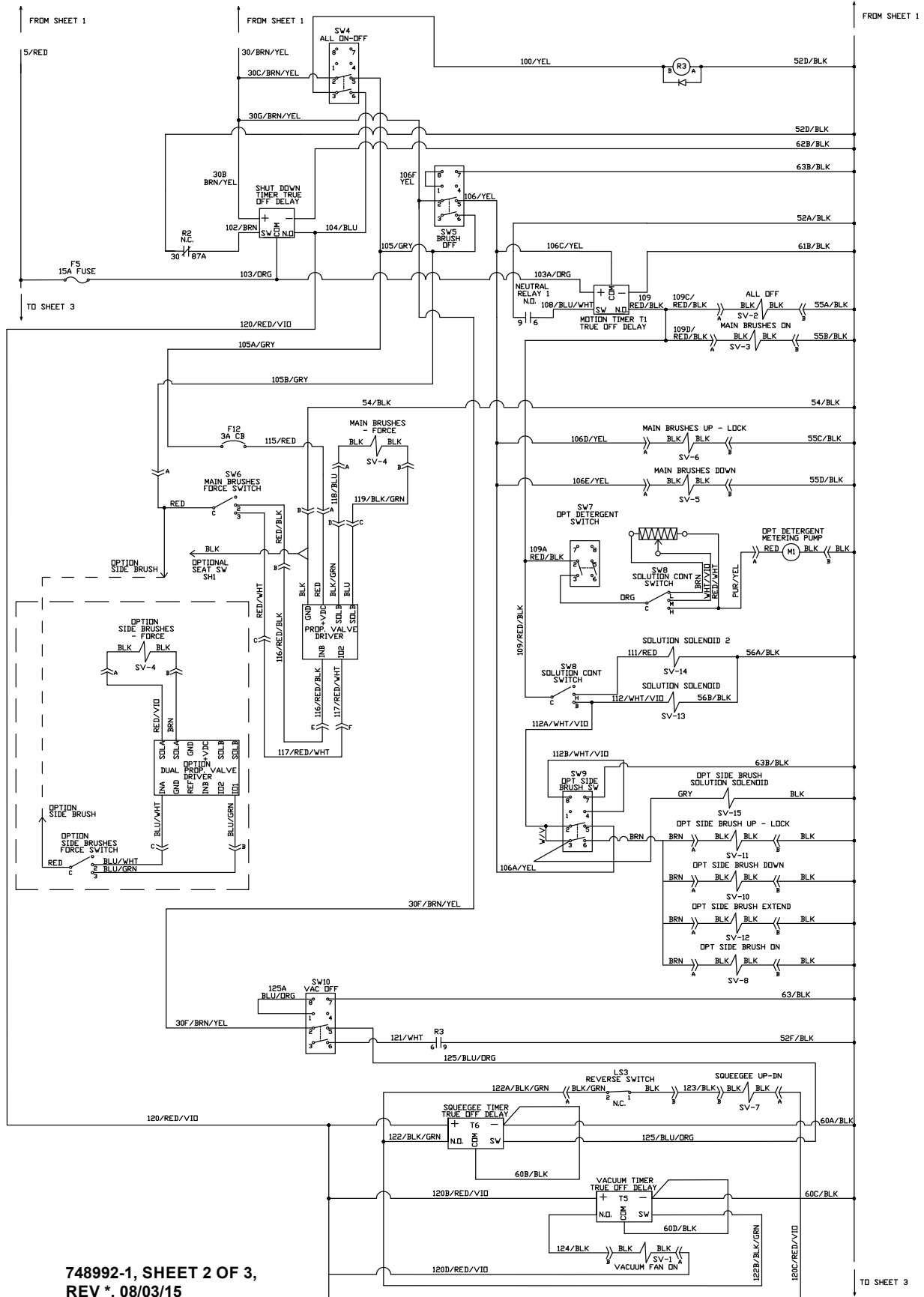
**LAYOUTS - ELECTRICAL/HYDRAULIC**

**ELECTRICAL SCHEMATIC LAYOUT**



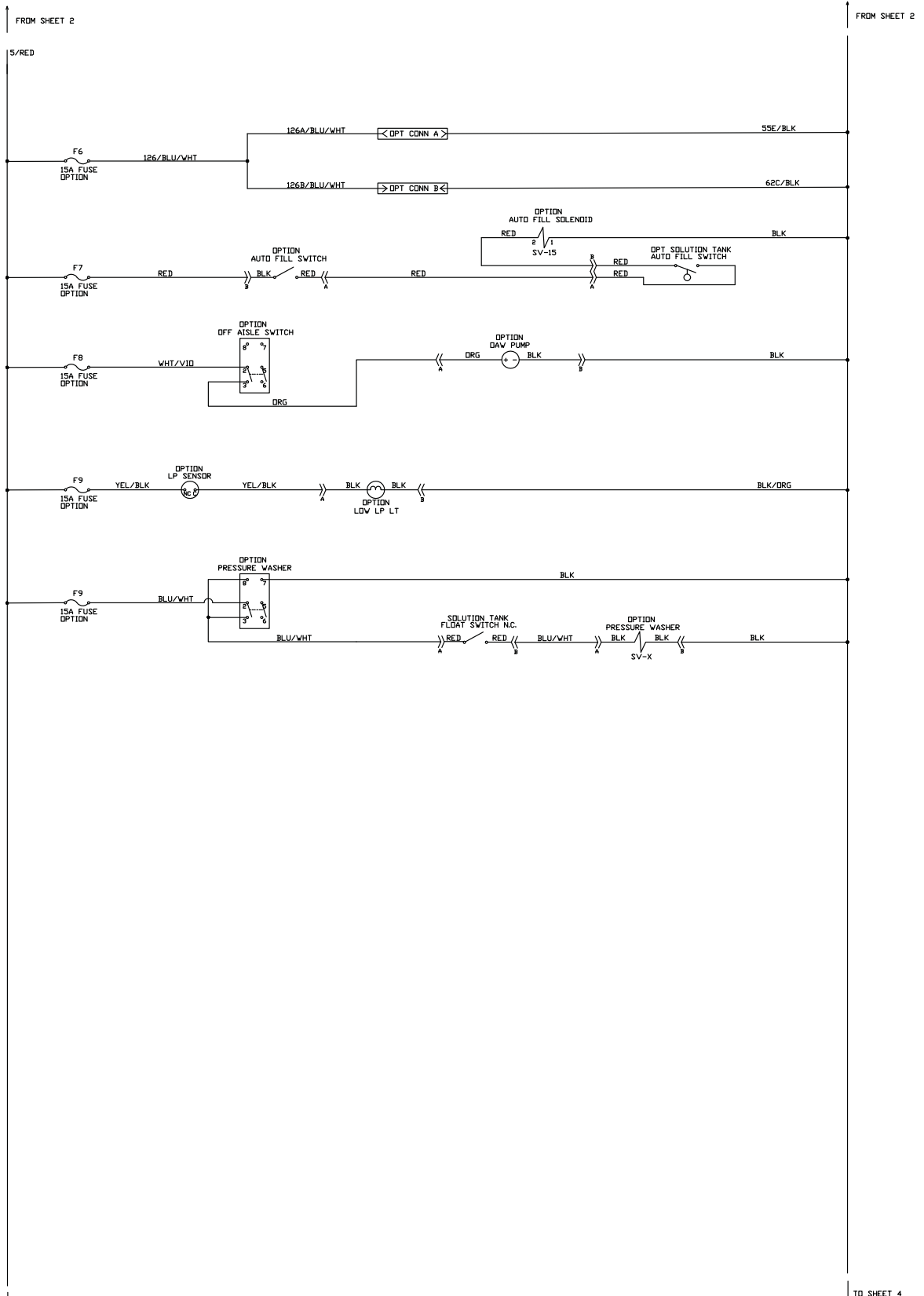


ELECTRICAL SCHEMATIC LAYOUT



748992-1, SHEET 2 OF 3,  
REV \*, 08/03/15

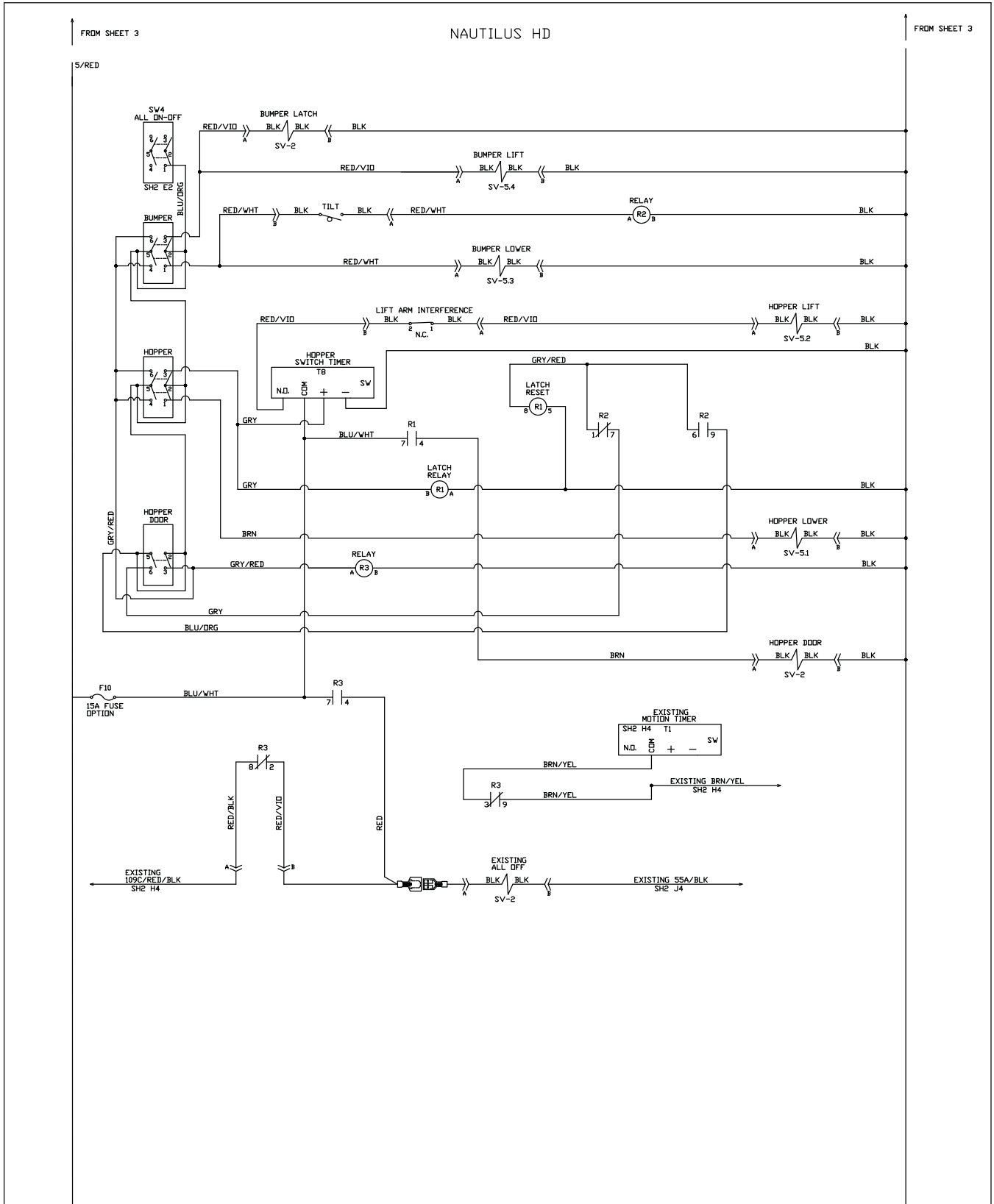
**ELECTRICAL SCHEMATIC LAYOUT**



748992-1, SHEET 3 OF 3,  
REV \*, 08/03/15

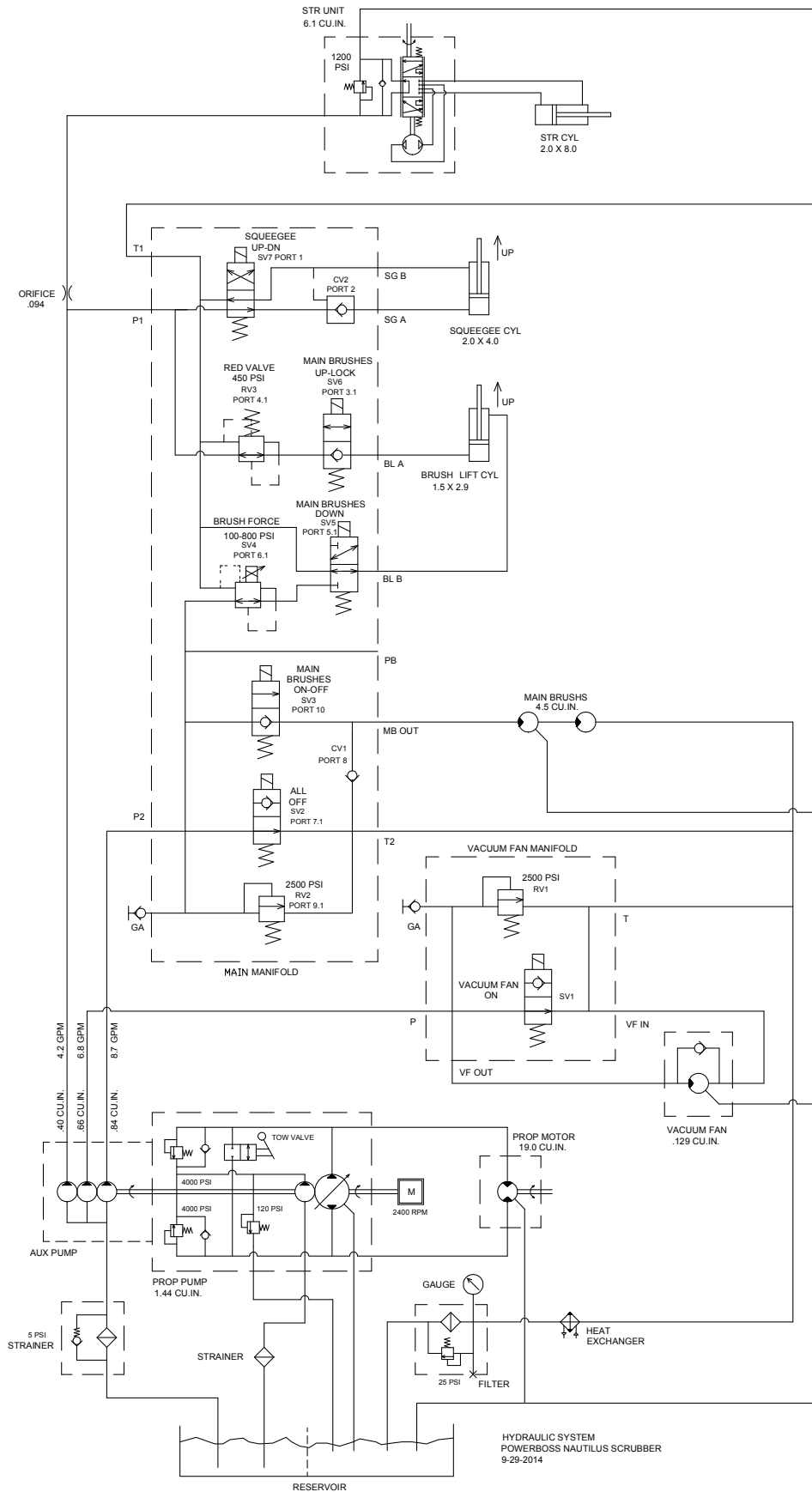
TO SHEET 4

ELECTRICAL SCHEMATIC LAYOUT



748992-1, SHEET 4 OF 4,  
REV \*, 08/03/15

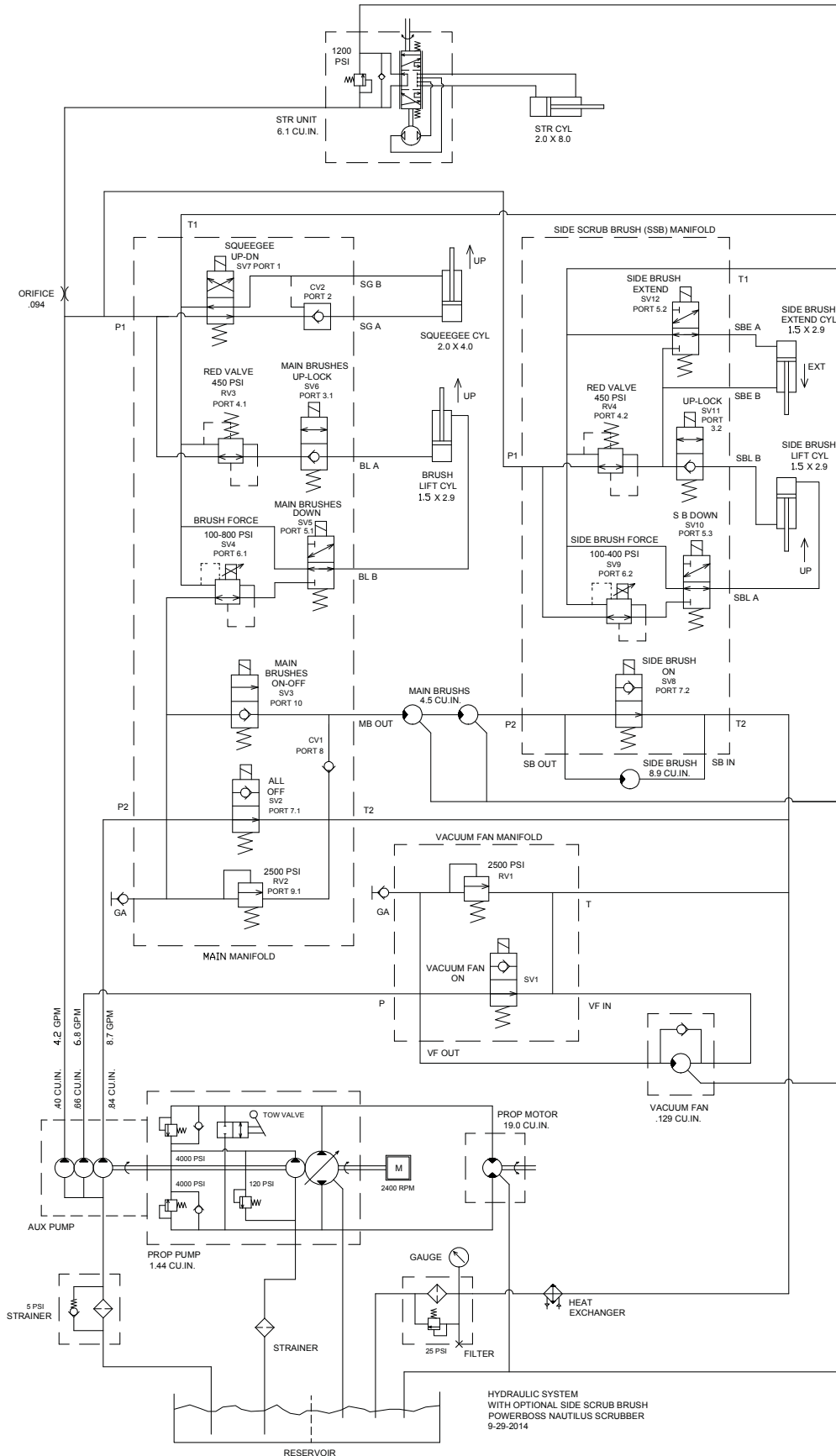
**HYDRAULIC SYSTEM LAYOUT**



REV \*  
09-29-2014

# HYDRAULIC SYSTEM LAYOUT

## HYDRAULIC SYSTEM LAYOUT WITH OPTIONAL SIDE SCRUB BRUSH



REV \*  
09-29-2014

NOTES

**WARRANTY**

**Revision J**  
**Effective January 2014**  
**PowerBoss Made Simple Industrial Limited Warranty**

Minuteman International owner of PowerBoss warrants to the original purchaser/user that the product is free from defects in workmanship and materials under normal use. PowerBoss will, at its option, repair or replace without charge, parts that fail under normal use and service when operated and maintained in accordance with the applicable operation and instruction manuals. All warranty claims must be submitted through and approved by factory authorized repair stations.

This warranty does not apply to normal wear, or to items whose life is dependent on their use and care. Parts not manufactured by PowerBoss are covered by and subject to the warranties and/or guarantees of their manufacturers. Please contact Minuteman International for procedures in warranty claims against these manufacturers.

**Special warning to purchaser** -- Use of replacement parts not manufactured by PowerBoss or its designated licensees, will void all warranties expressed or implied. A potential health hazard exists without original equipment replacement.

All warranted items become the sole property of Minuteman International or PowerBoss or its original manufacturer, whichever the case may be.

PowerBoss disclaims any implied warranty, including the warranty of merchantability and the warranty of fitness for a particular purpose. PowerBoss assumes no responsibility for any special, incidental or consequential damages.

This limited warranty is applicable only in the U.S.A. and Canada, and is extended only to the original user/purchaser of this product. Customers outside the U.S.A. and Canada should contact their local distributor for export warranty policies. PowerBoss is not responsible for costs or repairs performed by persons other than those specifically authorized by PowerBoss. This warranty does not apply to damage from transportation, alterations by unauthorized persons, misuse or abuse of the equipment, use of non-compatible chemicals, or damage to property, or loss of income due to malfunctions of the product. If a difficulty develops with this machine, you should contact the dealer from whom it was purchased.

This warranty gives you specific legal rights, and you may have other rights, which vary from state to state. Some states do not allow the exclusion or limitation of special, incidental or consequential damages, or limitations on how long an implied warranty lasts, so the above exclusions and limitations may not apply to you.

	Travel *	Labor	Parts	Engine	Extended Warranty	Costs
<b>Walk Behind</b>						****
Battery Sweepers	90 Days	12 months	12 months	N/A	N/A	-
IC Sweepers	90 Days	12 months	12 months	Through Eng. Mfg.	N/A	-
Battery Scrubbers	90 Days	24 months	36 months	N/A	N/A	-
<b>Riders</b>						
Battery Scrubbers	90 Days	24 months	36 months or 2000 hr.	N/A	36 months parts + 24 labor (or 3000 Hours)	5%
IC Sweeper/Scrubbers 82 & 90	90 Days	6 months	24 months or 2000 hr.	24 months or 3000 hrs**	36 months parts + 24 months labor (or 3000 Hours) + 180 days travel	5%
I.C. Sweepers 9X, 10X	90 days	6 months	48 months or 3000 hrs.	60 months or 3000 hrs**	48 months parts + 24 months labor (or 3000 Hours) + 180 days travel	5%
NAUTILUS Scrubber	180 Days	24 months	36 months or 2000 hr.	36 months or 2000 hrs**	48 months parts + 24 months labor (or 3000 Hours) + 180 days travel	3%
All Rider, I.C. (excluding APEX series)					<u>Bumper to Bumper</u> 5000 hr max. 48 months parts, 48 months labor, 180 days travel	8%
<b>Exceptions</b>						
Apex Series Sweeper	90 Days	12 months	12 months or 1000 hr.	12 months or 1000 hrs**	24 months parts + 24 months labor (or 2000 Hours)	5%
6X Sweeper	90 Days	6 months	24 months or 2000 hr.	24 months or 2000 hours**	36 months parts + 24 months labor (or 3000 Hours) + 180 day travel	5%

**Tank Bladders** Eight years/ no additional labor  
**Polyethylene plastic tanks** Ten years/ no additional labor  
**Batteries** 0-3 months full replacement, 4-12 prorated credit  
**Chargers** One-year replacement  
**Aftermarket Replacement parts** Ninety days from date of purchase

**\*Two-Hour Cap Per Service Call**

**\*\*Through Engine Manufacturer. See Section 3 of Warranty Manual for Engine Warranty Exceptions**

**\*\*\* Based Upon Dealer's Certification Status:**

**Extended Warranty MUST Be Signed Up Within 30 Days of Delivery to End User  
(Dealer Has 1Year From Receiving Machine To Sign Up For Extended Warranty)**

*\*\*\*All above labor and travel reimbursed at 65% or 75% of the published shop rate.*



***“The Power of Clean”***

**PowerBoss® is a Full Line Manufacturer of Sweepers and Scrubbers,  
for Industrial Facilities.**

PowerBoss®, Minuteman International, Inc. 14N845 U.S. Route 20 Pingree Grove, Illinois 60140  
Phone: 800-323-9420 [www.PowerBoss.com](http://www.PowerBoss.com) Email: [tech@powerboss.com](mailto:tech@powerboss.com)

**A Member of the Hako Group**

Nautilus Hi-Dump Rider Scrubber/Sweeper #988752 Rev. \* 01/16

**PowerBoss® Copyright 2014-2015**